

RAIL-LITE™ - TRIMLESS (NON-CONTINUOUS)

Project Name:

Fixture Type:

Fixture Code:

Quantities:



RAIL-LITE™ - TRIMLESS (NON-CONTINUOUS)



RAIL-LITE™ - TRIMLESS (NON-CONTINUOUS)

The trimless multiple spot system blends into architecture and conceals the light sources for a discreet look. **RAIL-LITE** is ideal as a retail solution with ultimate beam control and high color rendering. The spots can be adjusted laterally within the channel to target more accurately and the angling of the beam adjusts in 5° increments up to 45°. A CRI of 90 displays the true color of objects making merchandise more distinguishable.

GENERAL SPECIFICATION

Housing

Steel and aluminum, black finish internal and external.

Angling

0° to 45° in 5° intervals.

Trimless version

For installation into drywall (plasterboard) ceilings with a thickness range of 1/2" to 3/4" (12mm-19mm). Trimless flange supplied in raw aluminum.

Electrical

Integral junction box for branch circuit through wiring.

Drivers

Constant Current driver for 120-277V (EU-240V). Drivers can be replaced from below. The driver is integral to the fixture housing.

LEDs

High power, LEDs can be replaced from below.

Links

<https://www.bridgelux.com/products/v-series#specifications>

<https://www.xicato.com/products/light-sources/xtm/>

Reported L70 @25°C (77°F)

> 60,000 hrs.

Notes

Photometric testing performed using LM79 procedures.

For all other reflectors types please consult photometric files.

Due to constant change in LEDs, please check our website for current product specifications.

Rail-Lite™ | Patent Pending (United States, Canada and European Patent Convention)

Sliding

Individual heads can slide a maximum of 2'/610mm left or right of its centre point.

Rotating

360° limit.

Reflectors

Narrow, medium and wide beam, highly reflective, specular finish, vacuum plated. Twist'N'Lock reflectors for on-site switching.

LED Heat sink

Extruded aluminum.

PoE

Rail-Lite can integrate into your data network via Power over Ethernet (PoE) connectivity.

Sensors

Consult factory regarding sensor compatibility.

Delivered Lumens

Delivered lumens & LPW based on 3000K (min 80 CRI).

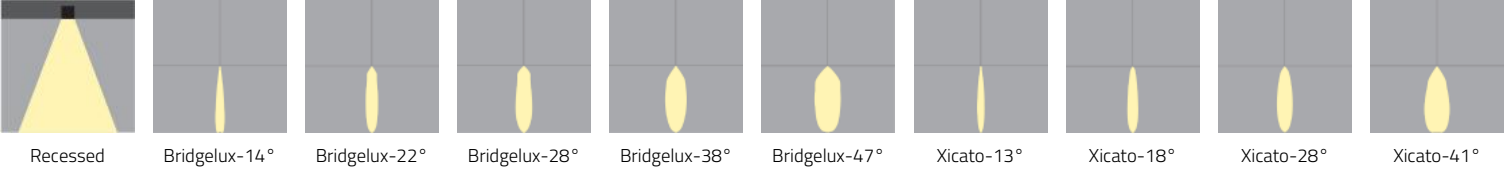
Approvals

Damp Rated.



RAIL-LITE™ - TRIMLESS (NON-CONTINUOUS)

MOUNTING & OPTICS



Declare

RAIL-LITE™ - TRIMLESS (NON-CONTINUOUS)

HOW TO ORDER

A. LUMINAIRE

522112 12" - 1 LED Head

522148 48" - 2 to 5 LED Heads

522144 144" - 4 to 10 LED Heads

522118 18" - 1 or 2 LED Heads

522160 60" - 2 to 5 LED Heads

522124 24" - 2 or 3 LED Heads

522172 72" - 2 to 6 LED Heads

522136 36" - 2 to 4 LED Heads

522196 96" - 2 to 7 LED Heads

B. NUMBER OF HEADS

H01 1 LED Head

H05 5 LED Heads

H09 9 LED Heads

H02 2 LED Heads

H06 6 LED Heads

H10 10 LED Heads

H03 3 LED Heads

H07 7 LED Heads

H04 4 LED Heads

H08 8 LED Heads

C. LED

B27A Bridgelux V18, 2700K, 80 CRI, 3069 lms

B35A Bridgelux V18, 3500K, 80 CRI, 3313 lms

X30A Xicato Standard, 3000K, 83 CRI, 2262 lms

X27C Xicato Artist, 2700K, 98 CRI, 2262 lms

X30D Xicato Vibrant V95, 3000K, 98 CRI, 2262 lms

B27B Bridgelux V18, 2700K, 90 CRI, 2397 lms

B40A Bridgelux V18, 4000K, 80 CRI, 3333 lms

X35A Xicato Standard, 3500K, 83 CRI, 2262 lms

X30C Xicato Artist, 3000K, 98 CRI, 2262 lms

B30A Bridgelux V18, 3000K, 80 CRI, 3218 lms

B40B Bridgelux V18, 4000K, 90 CRI, 2840 lms

X40A Xicato Standard, 4000K, 83 CRI, 2262 lms

X35C Xicato Artist, 3500K, 98 CRI, 2262 lms

B30B Bridgelux V18, 3000K, 90 CRI, 2498 lms

X27A Xicato Standard, 2700K, 83 CRI, 2262 lms

X30B Xicato Vibrant V80, 3000K, 83 CRI, 2262 lms

X40C Xicato Artist, 4000K, 98 CRI, 2262 lms

D. APERTURE

5W Narrow

6W Medium

9W Wide

E. BRIDGELUX REFLECTORS

529001 Narrow Beam 14° (5" dia)

529005 Wide Beam 47° (3" dia)

529002 Medium Beam 22° (5" dia)

529003 Medium Beam 38° (3" dia)

529004 Narrow Beam 28° (3" dia)

F. XICATO REFLECTORS

529011 Narrow Beam 13° (125mm/5" dia)

529012 Wide Beam 41° (125mm/5" dia)

529013 Narrow Beam 18° (75mm/3" dia)

529014 Medium Beam 28° (75mm/3" dia)

G. DIMMING OPTIONS

D1 0-10V Dimming (1%)

L1 Lutron L3DA3W Hi-Lume 1% 3 Wire

D2 0-10V Dimming (0.1%)

L2 Lutron LDE1 Hi-Lume 1% H EcoSystem

DA DALI Dimming (0.1%)

DE PoE

DL DALI Dimming (1%)

DE must be used with EV only.

H. OPTIONAL LOW VOLTAGE

EV Low Voltage

To be used with DE only.



RAIL-LITE™ - TRIMLESS (NON-CONTINUOUS)

TECHNICAL DATA

LUMINAIRE

Code	522112	522118	522124	522136	522148	522160
Fixture Length	12" - 1 LED Head	18" - 1 or 2 LED Heads	24" - 2 or 3 LED Heads	36" - 2 to 4 LED Heads	48" - 2 to 5 LED Heads	60" - 2 to 5 LED Heads
Code	522172	522196	522144			
Fixture Length	72" - 2 to 6 LED Heads	96" - 2 to 7 LED Heads	144" - 4 to 10 LED Heads			

LED

Code	B27A	B27B	B30A	B30B	B35A	B40A
Manufacturer/Type	Bridgelux V18	Bridgelux V18	Bridgelux V18	Bridgelux V18	Bridgelux V18	Bridgelux V18
CCT	2700K	2700K	3000K	3000K	3500K	4000K
CRI	80	90	80	90	80	80
Power (LED)	38W	38W	38W	38W	38W	38W
Delivered lms	3069	2397	3218	2498	3313	3333
LPW	80	63	84	65	87	87
Code	B40B	X27A	X30A	X35A	X40A	X30B
Manufacturer/Type	Bridgelux V18	Xicato Standard	Xicato Standard	Xicato Standard	Xicato Standard	Xicato Vibrant V80
CCT	4000K	2700K	3000K	3500K	4000K	3000K
CRI	90	83	83	83	83	83
Power (LED)	38W	36W	36W	36W	36W	36W
Delivered lms	2840	2262	2262	2262	2262	2262
LPW	74	62	62	62	62	62
Code	X27C	X30C	X35C	X40C	X30D	
Manufacturer/Type	Xicato Artist	Xicato Artist	Xicato Artist	Xicato Artist	Xicato Vibrant V95	
CCT	2700K	3000K	3500K	4000K	3000K	
CRI	98	98	98	98	98	
Power (LED)	41W	41W	41W	41W	41W	
Delivered lms	2262	2262	2262	2262	2262	
LPW	55	55	55	55	55	

APERTURE

Code	5W	6W	9W
Aperture	Narrow	Medium	Wide
A	5"	6.5"	9"

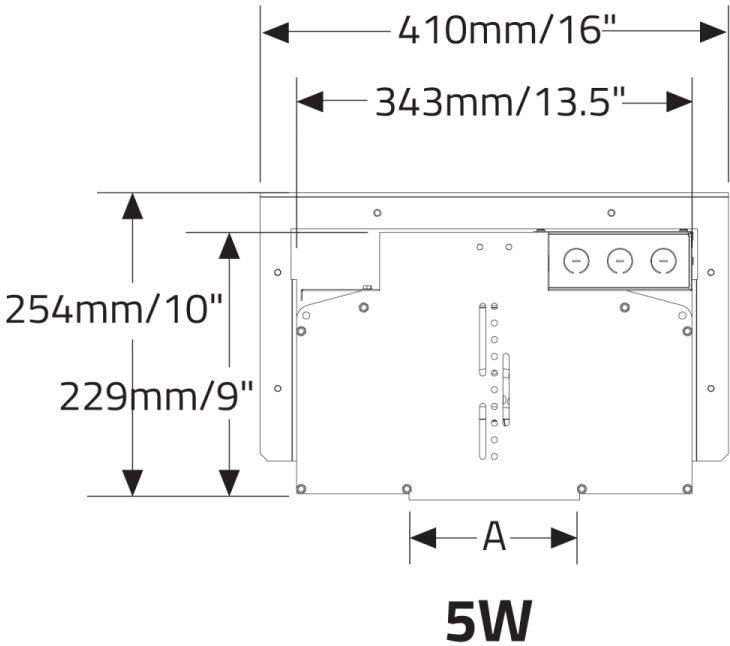
APPROVALS



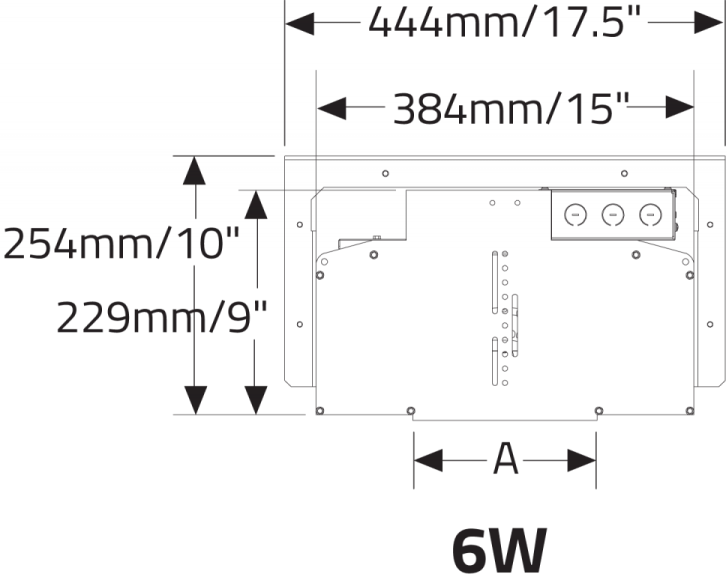
RAIL-LITE™ - TRIMLESS (NON-CONTINUOUS)

DIMENSIONAL DIAGRAMS

Narrow Aperture



Medium Aperture



Wide Aperture

