

REUL CL™ - MODERN CLASSICS EXTERIOR

Project Name:

Fixture Type:

Fixture Code:

Quantities:



REUL CL™ - MODERN CLASSICS EXTERIOR

REUL is an exterior ceiling light designed with a robust triangular aesthetic and engineered with exceptional power in both light output and optical control. Available with two lumen packages with either medium or wide beam. An internal reflector ensures efficient light distribution allowing Reul to be mounted at higher elevations.

GENERAL SPECIFICATION

Housing

Die-cast and extruded aluminum.

Lens

Clear glass.

Reflector

High purity aluminum, semi-specular finish.

Drivers

HPF electronic driver, 120-277V.

Mechanical

Mounts directly over a standard electrical junction box (by others). Mounting hardware (by others).

External Screws

Stainless steel.

Gaskets

One piece silicone.

Finish

Matte black, gray anthracite or light gray.

Minimum Starting Temperature

-30°C for LEDs.

Delivered Lumens

Delivered lumens & LPW based on 3000K (min 80 CRI).

MOUNTING & OPTICS



Ext-Ceiling/Canopy



REUL CL™ - MODERN CLASSICS EXTERIOR

HOW TO ORDER

A. LUMINAIRE

232031 28°, 2678 lms

232032 71°, 1962 lms

232041 28°, 3849 lms

232042 71°, --- lms

B. CCT

30 3000K (min 80 CRI)

40 4000K (min 80 CRI)

C. FINISH

BL Black Metallic Textured

AG Anthracite Gray

GR Light Gray

D. OPTIONS

DB Dimming (0-10V, 10%) ¹

SW Swivel Canopy

¹ Dimming equal to less than 10%.

E. SUSPENSION

TS1 18" Tube Suspension/Canopy

TS2 24" Tube Suspension/Canopy

TS3 30" Tube Suspension/Canopy

TS4 36" Tube Suspension/Canopy

1. Only available in black.



REUL CL™ - MODERN CLASSICS EXTERIOR

TECHNICAL DATA

LUMINAIRE

Code	232031	232032	232041	232042
Power (LED)	26W	26W	32W	32W
Beam	28°	71°	28°	71°
Delivered lms	2678	1962	3849	---
LPW	103	75	120	---
Weight	23lb	23lb	23lb	23lb

FINISH



Black Metallic Textured

Anthracite Gray

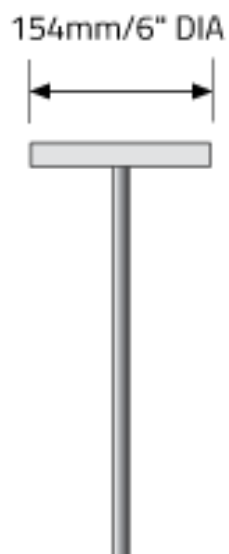
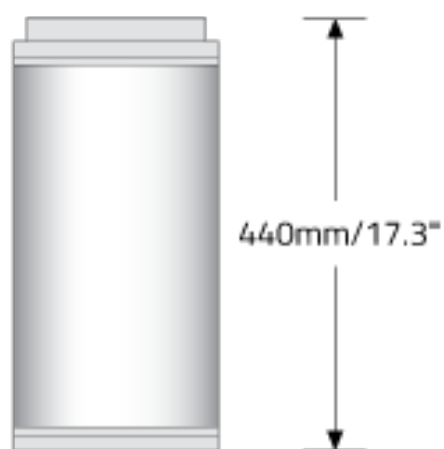
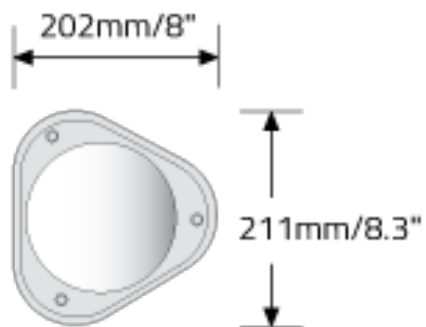
Light Gray

APPROVALS



REUL CL™ - MODERN CLASSICS EXTERIOR

DIMENSIONAL DIAGRAMS



Pendant Canopy