

RING 3™ - SURFACE MOUNT

Project Name:

Fixture Type:

Fixture Code:

Quantities:



RING 3™ - SURFACE MOUNT



RING 3™ - SURFACE MOUNT

RING 3 is our 2nd generation circular performance surface light. Now with a slender 3" profile, the lightweight design works well on lower ceilings and still delivers matchless light outputs with multiple control integrations including PoE and wellness technology including BIOS and Dim to Warm. 10 metallic and 2 wood grain finishes are available. Metallic sheens balance out functional forms with an elegant touch. Wood finishes ground the space with a feeling of warmth.

GENERAL SPECIFICATION

Body and trim

Steel and aluminium.

Diffusers

Opal Polycarbonate, supplied in sections.

PoE

Ring 3 can integrate into your data network via Power over Ethernet (PoE) connectivity.

Sensors

Consult factory regarding sensor compatibility.

Remote Emergency

Emergency option provides a 1.5 hour (3 hours for EU) emergency lighting facility. The remote system includes the inverter module, NiCad batteries and a remote wall/ceiling LED charge indicator and test switch (NA only) Maximum distance between wall/ceiling plate and luminaire is 15' (4.5m). Test switch fits a single gang box (not supplied).

Approvals

Damp Rated.

Finish

Powder coated.

Mechanical

Luminaires mount directly over 2x3" or 2x4" J box (by others - North America only).

Drivers

Integral, HPF electronic drivers for 120-277V (EU-240V). The driver is integral to the fixture housing.

Delivered Lumens

Delivered lumens & LPW based on 4000K (min 90 CRI).

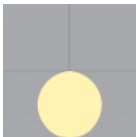
L70 @25°C

> 50,000 hrs.

MOUNTING & OPTICS



Ceiling Direct



Direct



Declare



Dim to Warm



PoE

RING 3™ - SURFACE MOUNT

HOW TO ORDER

A. LUMINAIRE

RGTC1P02 2ft, 4600 lms
RGTC1P06 6ft, 13000 lms

RGTC1P03 3ft, 6700 lms
RGTC1P07 7ft, 15000 lms

RGTC1P04 4ft, 8800 lms

RGTC1P05 5ft, 11000 lms

All data shown at max values.
Recommended for installation on a hard ceiling.

B. LUMENS

LMA0230 2300
LMA1100 11000

LMA0460 4600
LMA1300 13000

LMA0670 6700
LMA1500 15000

LMA0880 8800

Consult website for max lumens available/size.

C. CRI

CR80 CRI 80+

CR90 CRI 90+

D. CCT

CTA27 2700K²
CTA61 Dim to warm¹

CTA30 3000K

CTA35 3500K

CTA40 4000K

¹ Available to special order. Not available with BIOS.

E. VOLTAGE

V1 120/277V

V2 240V¹

V3 347V²

V4 Low Voltage³

¹ Not available in North America.

² Only available with DA01 dimming.

³ Only available with DA45 dimming.

F. DIMMING

DA01 0-10V Dimming 1.0%

DA45 PoE¹

DA10 0-10V Dimming 10.0%

¹ Only available with V4 and CRI 80+.

G. FINISH

FA01 White

FA02 Black Metallic - Textured

FA20 Silver Metallic - Textured

FA25 Gold Metallic - Textured

FA27 Wood grain - Light Cherry¹

FA28 Wood grain - Dark Walnut¹

FA44 Midnight Blue Metallic - Textured

FA45 Copper Metallic

FA46 Charcoal Metallic - Textured

FA47 Bronze Metallic - Textured

FA52 Champagne Metallic

FA53 Red Metallic - Textured

¹ Longer than normal lead times may apply, consult factory.

H. EMERGENCY

E0 Not required

E2 Emergency system - Remote¹

¹ Not available with 347V

RING 3™ - SURFACE MOUNT

TECHNICAL DATA

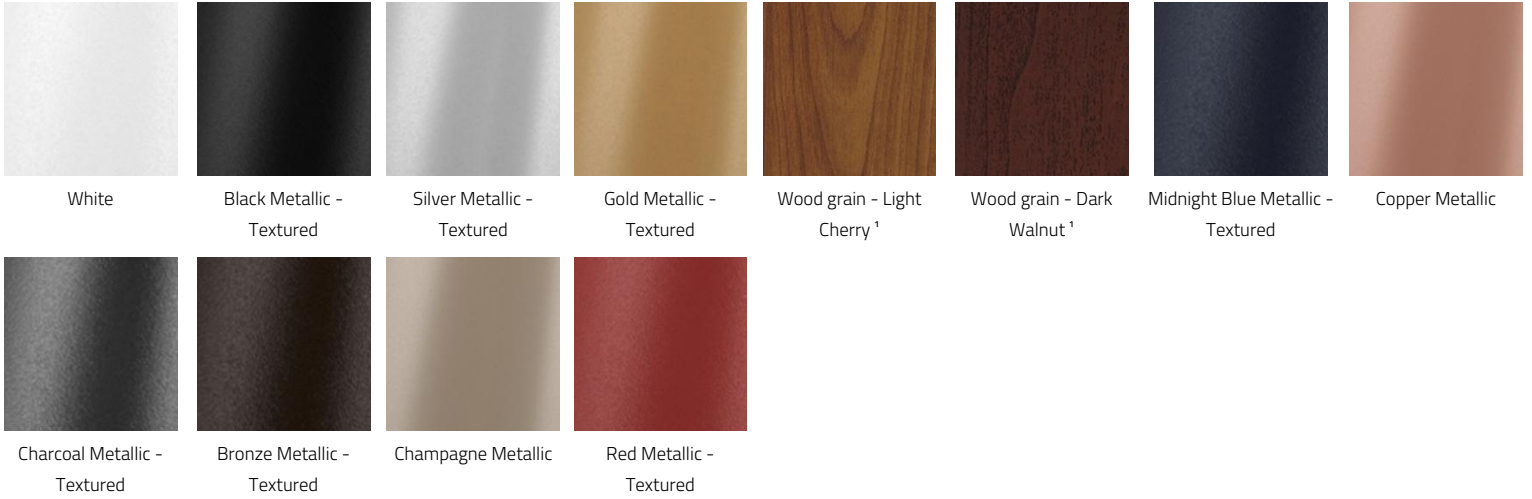
LUMINAIRE

All data shown at max values.

Recommended for installation on a hard ceiling.

Code	RGTC1P02	RGTC1P03	RGTC1P04	RGTC1P05	RGTC1P06	RGTC1P07
Size (Ft)	2	3	4	5	6	7
Wattage	50	73	96	120	142	164
Delivered lms	4600	6700	8800	11000	13000	15000
LPW	91	91	91	91	91	91

FINISH



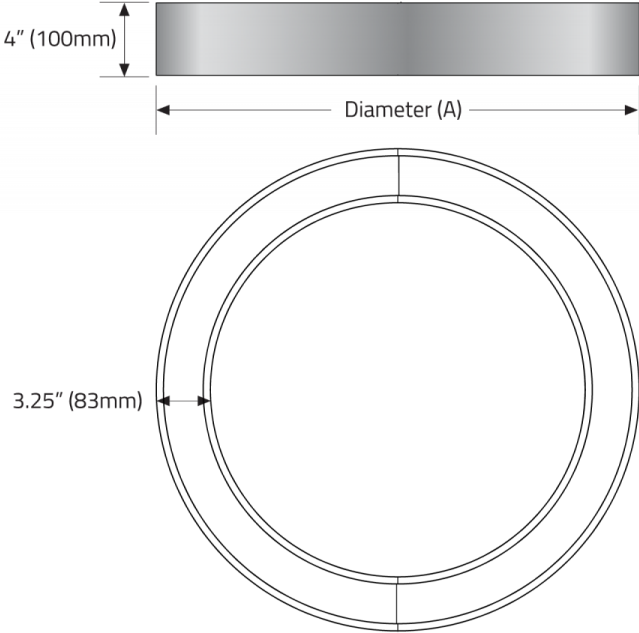
¹ Longer than normal lead times may apply, consult factory.

APPROVALS



RING 3™ - SURFACE MOUNT

DIMENSIONAL DIAGRAMS



Diameter (A):

- RGTC1P02** 2.2' (676mm)
- RGTC1P03** 3.2' (965mm)
- RGTC1P04** 4.2' (1270mm)
- RGTC1P05** 5.2' (1575mm)
- RGTC1P06** 6.2' (1880mm)
- RGTC1P07** 7.2' (2184mm)