

RING 3™ - SURFACE MOUNT



Project Name:

Fixture Type:

Fixture Code:

Quantities:

A. LUMINAIRE

RGTC1P02 2ft, 4600 lms

RGTC1P03 3ft, 6700 lms

RGTC1P04 4ft, 8800 lms

RGTC1P05 5ft, 11000 lms

RGTC1P06 6ft, 13000 lms

RGTC1P07 7ft, 15000 lms

All data shown at max values.
Recommended for installation on a hard ceiling.

B. LUMENS

LMA0230 2300

LMA0460 4600

LMA0670 6700

LMA0880 8800

LMA1100 11000

LMA1300 13000

LMA1500 15000

Consult website for max lumens available/size.

C. CRI

CR80 CRI 80+

CR90 CRI 90+

D. CCT

CTA27 2700K²

CTA30 3000K

CTA35 3500K

CTA40 4000K

CTA61 Dim to warm¹

¹ Available to special order. Not available with BIOS.

E. VOLTAGE

V1 120/277V

V2 240V¹

V3 347V²

V4 Low Voltage³

¹ Not available in North America.

² Only available with DA01 dimming.

³ Only available with DA45 dimming.

F. DIMMING

DA01 0-10V Dimming 1.0%

DA45 PoE¹

DA10 0-10V Dimming 10.0%

¹ Only available with V4 and CRI 80+.

G. FINISH

FA01 White

FA02 Black Metallic - Textured

FA20 Silver Metallic - Textured

FA25 Gold Metallic - Textured

FA27 Wood grain - Light Cherry¹

FA28 Wood grain - Dark Walnut¹

FA44 Midnight Blue Metallic - Textured

FA45 Copper Metallic

FA46 Charcoal Metallic - Textured

FA47 Bronze Metallic - Textured

FA52 Champagne Metallic

FA53 Red Metallic - Textured

¹ Longer than normal lead times may apply, consult factory.

H. EMERGENCY

E0 Not required

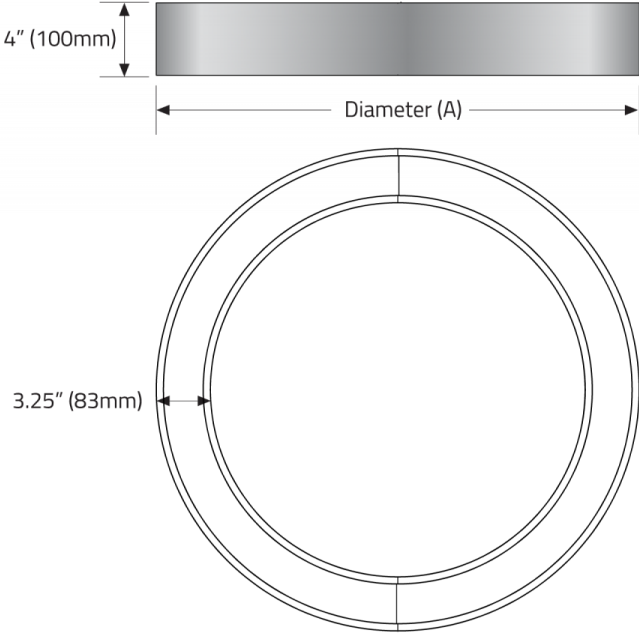
E2 Emergency system - Remote¹

¹ Not available with 347V



RING 3™ - SURFACE MOUNT

DIMENSIONAL DIAGRAMS



Diameter (A):

- RGTC1P02** 2.2' (676mm)
- RGTC1P03** 3.2' (965mm)
- RGTC1P04** 4.2' (1270mm)
- RGTC1P05** 5.2' (1575mm)
- RGTC1P06** 6.2' (1880mm)
- RGTC1P07** 7.2' (2184mm)