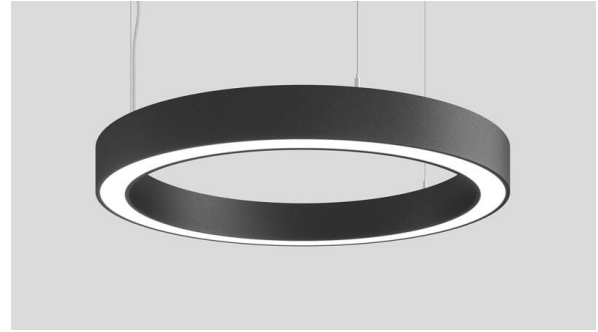




RING 3™

FULL SPECIFICATION SHEET



FIXTURE TYPE



FIXTURE CODE

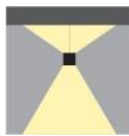


QUANTITIES

1 DESCRIPTION

RING 3 is our 2nd generation circular performance pendant. Now with a slender 3" profile, the lightweight design works well as a low-hanging ambient light and is ideal for lower ceilings. The new design still delivers matchless light outputs and multiple control integrations including PoE and wellness technology including BIOS and Dim to Warm. Indirect light is available with our powerful Batwing optic which provides wider light coverage and is an effective way to add to the ambient illumination. For sound comfort, **RING 3** is available with an acoustic panel up to 8', designed to absorb echo and reverberation associated with open-concept spaces, exposed concrete, open ceilings, and large windows.

2 OPTICS & FEATURES

					
Suspended Direct	Suspended Direct/Indirect	Acoustic	Declare	Dim to Warm	PoE

3 APPROVALS







4 GENERAL SPECIFICATION

BODY AND TRIM

Steel and aluminum.

POWER CABLE

Silver braided.

REMOTE EMERGENCY

Emergency option provides a 1.5 hour (3 hours for EU) emergency lighting facility. The remote system includes the inverter module, NiCad batteries and a remote wall/ceiling LED charge indicator and test switch (NA only) Maximum distance between wall/ceiling plate and luminaire is 15' (4.5m). Test switch fits a single gang box (not supplied).

ACOUSTIC PANELS NRC RATING

0.80

ACOUSTIC PANELS MATERIAL

100% recycled polyester fiber (PET).

SUSPENSION

Steel cables. Recommended minimum mounting heights: 1ft (305mm). Maximum angle tilt 5°.

MECHANICAL

Luminaires mount directly over J box (by others - North America only).

SENSORS

Consult factory regarding sensor compatibility.

APPROVALS

Damp Rated.

ACOUSTIC PANEL MAINTENANCE

Durable and easy to maintain. Dust regularly and clean marks with mild detergent, rinse, and blot.

FINISH

Powder coated.

LENS

Opal polycarbonate direct, batwing indirect, supplied in sections.

DRIVERS

Integral, HPF electronic drivers for 120-277V (EU-240V). The driver is integral to the fixture housing.

ACOUSTIC PANELS FIRE RATING

ASTM E84-2018 Class A.

ACOUSTIC PANELS THICKNESS

12mm (0.5")

POE

Ring 3 can integrate into your data network via Power over Ethernet (PoE) connectivity.

DELIVERED LUMENS

Delivered lumens & LPW based on 4000K (min 90 CRI) for White LEDs only. Data shown at MAX values.

L70 @25°C (77°F)

> 50,000 hrs.

SEISMIC BRACING



Seismic bracing kits are available to meet compliance requirements. Consult the factory for details.

SUSTAINABILITY

Designed for on-site LED board, driver, and optic replacement. Contact the factory for maintenance documentation.


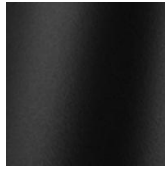

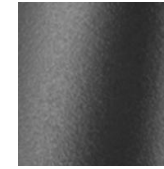


5 DESIGN OPTIONS

FIXTURE FINISH

							
White	Black Metallic - Textured	Silver Metallic - Textured	Gold Metallic - Textured	Wood grain - Light Cherry ¹	Wood grain - Dark Walnut ¹	Wood grain - White Oak ¹	Midnight Blue Metallic - Textured
							
Copper Metallic	Charcoal Metallic - Textured	Bronze Metallic - Textured	Champagne Metallic	Red Metallic - Textured			

¹ Wood grain finishes may incur longer lead times and setup charges. Consult factory for details.

CANOPY FINISH

							
White	Black Metallic - Textured	Silver Metallic - Textured	Gold Metallic - Textured	Midnight Blue Metallic - Textured	Copper Metallic	Charcoal Metallic - Textured	Bronze Metallic - Textured
							
Champagne Metallic	Red Metallic - Textured						

ACOUSTIC PANEL COLOR



Acoustic panels are available up to 84". Diameters from 60" to 84" include a visible seam. For accompanying non-illuminating acoustic panels, see our Acoustic Circles, Quads, Triangles, and Ellipse spec pages. Contact factory for larger sizes and additional colors.

6 HOW TO ORDER

1. LUMINAIRE

RGTP1P02 2ft, Direct, 4600 lms Direct	RGTP1P03 3ft, Direct, 6700 lms Direct	RGTP1P04 4ft, Direct, 8800 lms Direct	RGTP1P05 5ft, Direct, 11000 lms Direct
RGTP1P06 6ft, Direct, 13000 lms Direct	RGTP1P07 7ft, Direct, 15000 lms Direct	RGTP1P08 8ft, Direct, 21000 lms Direct	RGTP1P09 9ft, Direct, 24000 lms Direct
RGTP1P12 12ft, Direct, 32000 lms Direct	RGTP1P18 18ft, Direct, 48000 lms Direct	RGTP2P02 2ft, Direct/Indirect, 4600 lms Direct, 2200 lms Indirect	RGTP2P03 3ft, Direct/Indirect, 6700 lms Direct, 4400 lms Indirect
RGTP2P04 4ft, Direct/Indirect, 8800 lms Direct, 4400 lms Indirect	RGTP2P05 5ft, Direct/Indirect, 11000 lms Direct, 7300 lms Indirect	RGTP2P06 6ft, Direct/Indirect, 13000 lms Direct, 8800 lms Indirect	RGTP2P07 7ft, Direct/Indirect, 15000 lms Direct, 12000 lms Indirect
RGTP2P08 8ft, Direct/Indirect, 21000 lms Direct, 8800 lms Indirect	RGTP2P09 9ft, Direct/Indirect, 24000 lms Direct, 13000 lms Indirect	RGTP2P12 12ft, Direct/Indirect, 32000 lms Direct, 18000 lms Indirect	RGTP2P18 18ft, Direct/Indirect, 48000 lms Direct, 31000 lms Indirect

All information shown is based on white LEDs only at max values. RGTP2P18 must be ordered with CS2 (dual circuit) if ordering direct/indirect and will be complete with 2 power cords and 1 canopy. Recommended minimum suspension length: 1' for white LEDs, 2' for colored LEDs.

2. LUMENS (DIRECT)

LMA0230 2300	LMA0460 4600	LMA0670 6700	LMA0880 8800
LMA1100 11000	LMA1300 13000	LMA1500 15000	LMA2100 21000
LMA2400 24000	LMA3200 32000	LMA4800 48000	

Values shown are nominal. Consult website for max lumens available/size.

3. LUMENS (INDIRECT)

LPG000 Not required	LMB0110 1100	LMB0220 2200	LMB0440 4400
LMB0730 7300	LMB0880 8800	LMB1200 12000	LMB1300 13000
LMB1800 18000	LMB3100 31000		

Values shown are nominal. Consult website for max lumens available/size.

4. CRI

CR80 CRI 80+	CR90 CRI 90+
--------------	--------------

5. CCT (DIRECT)

CTA27 2700K ²	CTA30 3000K	CTA35 3500K	CTA40 4000K
--------------------------	-------------	-------------	-------------

¹ Available to special order. Not available with BIOS. ² Available for Direct version only.

6. CCT (INDIRECT)

CTB00 Not required	CTB27 2700K	CTB30 3000K	CTB35 3500K
CTB40 4000K			

¹ Available to special order. Not available with BIOS. ² 2700K available for Direct version only.

7. LENS

UD0 Not required	UD3 Batwing
------------------	-------------

8. VOLTAGE

V1 120/277V	V2 240V ¹	V3 347V ²	V4 Low Voltage ³
-------------	----------------------	----------------------	-----------------------------

¹ Not available in North America. ² Only available with DA01 & DB01 dimming. ³ Only available with DA45 & DB45 dimming.

9. DIMMING (DIRECT)

DA01 0–10V Dimming 1.0% **DA10** 0–10V Dimming 10.0% **DA45** PoE ³

¹ Only available V4 and CRI 80+.

10. DIMMING (INDIRECT)

DB00 Not required **DB01** 0–10V Dimming 1.0% **DB10** 0–10V Dimming 10.0% **DB45** PoE ¹³

¹ DB45 only available with DA45 and V4.

11. SUSPENSION

SS1 Vertical, Integral driver **SS2** Hub, Integral driver ¹

¹ SS2 not available for diameters of 12ft or larger.

12. FIXTURE FINISH

FA01 White **FA02** Black Metallic – Textured **FA20** Silver Metallic – Textured **FA25** Gold Metallic – Textured
FA27 Wood grain – Light Cherry ¹ **FA28** Wood grain – Dark Walnut ¹ **FA30** Wood grain – White Oak ¹ **FA44** Midnight Blue Metallic – Textured
FA45 Copper Metallic **FA46** Charcoal Metallic – Textured **FA47** Bronze Metallic – Textured **FA52** Champagne Metallic
FA53 Red Metallic – Textured

¹ Wood grain finishes may incur longer lead times and setup charges. Consult factory for details.

13. CANOPY FINISH

CF01 White **CF02** Black Metallic – Textured **CF20** Silver Metallic – Textured **CF25** Gold Metallic – Textured
CF44 Midnight Blue Metallic – Textured **CF45** Copper Metallic **CF46** Charcoal Metallic – Textured **CF47** Bronze Metallic – Textured
CF52 Champagne Metallic **CF53** Red Metallic – Textured

14. ACOUSTIC PANEL COLOR

AP00 Not required	AP02 Citrus	AP04 White	AP08 Red Coffee
AP11 Light Gray	AP13 Apple Green	AP22 Blue	AP26 Sesame Gray
AP27 Black	AP47 Navy Peony	AP60 Pure Red	AP73 Cloudburst
AP89 Douglas Fir	APW01 Oak		

Acoustic panels are available up to 84". Diameters from 60" to 84" include a visible seam. For accompanying non-illuminating acoustic panels, see our Acoustic Circles, Quads, Triangles, and Ellipse spec pages. Contact factory for larger sizes and additional colors.

15. EMERGENCY

E0 Not required	E2 Emergency system – Remote ¹
------------------------	--

¹ Not available with 347V

16. CIRCUIT

CS1 Single circuit	CS2 Dual circuit ^{1 2}
---------------------------	--

¹ RGTP1P18 must be ordered with CS2 (dual circuit) and will be complete with 2 power cords and 1 canopy.

² When ordering Remote emergency (E2), fixture will be c/w 2 power cords.

17. CONTROLS

C0 Not required	C1 Encelium/Zigbee control
------------------------	-----------------------------------

7 TECHNICAL DATA

LUMINAIRE

All information shown is based on white LEDs only at max values. RGTP2P18 must be ordered with CS2 (dual circuit) if ordering direct/indirect and will be complete with 2 power cords and 1 canopy. Recommended minimum suspension length: 1' for white LEDs, 2' for colored LEDs.

Code	RGTP1P02	RGTP1P03	RGTP1P04	RGTP1P05	RGTP1P06	RGTP1P07
Size (Ft)	2	3	4	5	6	7
Light Distribution	Direct	Direct	Direct	Direct	Direct	Direct
Height (B)	6"	6"	7"	13"	17"	21"
# of Sections	1	1	1	1	1	1
Suspension Points	3	3	3	3	3	6
Code	RGTP1P08	RGTP1P09	RGTP1P12	RGTP1P18	RGTP2P02	RGTP2P03
Size (Ft)	8	9	12	18	2	3
Light Distribution	Direct	Direct	Direct	Direct	Direct/Indirect	Direct/Indirect
Height (B)	30"	35"			6"	6"
# of Sections	3	3	4	6	1	1
Suspension Points	6	6	8	12	3	3
Code	RGTP2P04	RGTP2P05	RGTP2P06	RGTP2P07	RGTP2P08	RGTP2P09
Size (Ft)	4	5	6	7	8	9
Light Distribution	Direct/Indirect	Direct/Indirect	Direct/Indirect	Direct/Indirect	Direct/Indirect	Direct/Indirect
Height (B)	7"	13"	17"	21"	30"	35"
# of Sections	1	1	1	1	3	3
Suspension Points	3	3	3	6	6	6
Code	RGTP2P12	RGTP2P18				
Size (Ft)	12	18				
Light Distribution	Direct/Indirect	Direct/Indirect				
Height (B)						
# of Sections	4	6				
Suspension Points	8	12				

8 PERFORMANCE DATA

2FT DIRECT		Lumens	WATTS	LPW	2FT INDIRECT		Lumens	WATTS	LPW
LMA0230		2300	25	91	LMB0110		1100	9	123
LMA0460		4600	50	91	LMB0220		2200	18	123

3FT DIRECT		Lumens	WATTS	LPW	3FT INDIRECT		Lumens	WATTS	LPW
LMA0230		2300	25	92	LMB0110		1100	9	123
LMA0460		4600	50	92	LMB0220		2200	18	123
LMA0670		6700	73	92	LMB0440		4400	36	123

4FT DIRECT		Lumens	WATTS	LPW	4FT INDIRECT		Lumens	WATTS	LPW
LMA0460		4600	50	92	LMB0110		1100	9	123
LMA0670		6700	73	92	LMB0220		2200	18	123
LMA0880		8800	96	91	LMB0440		4400	36	123

5FT DIRECT Direct		Lumens	WATTS	LPW	5FT INDIRECT		Lumens	WATTS	LPW
LMA0670		6700	73	91	LMB0220		2200	18	123
LMA0880		8700	96	91	LMB0440		4400	36	123
LMA1100		11000	120	91	LMB0730		7300	59	123

6FT DIRECT Direct		Lumens	WATTS	LPW	6FT INDIRECT		Lumens	WATTS	LPW
LMA0880		8800	96	92	LMB0440		4400	36	123
LMA1100		11000	120	92	LMB0730		7300	59	123
LMA1300		13000	142	92	LMB0880		8800	71	123

7FT DIRECT Direct		Lumens	WATTS	LPW	7FT INDIRECT		Lumens	WATTS	LPW
LMA1100		11100	122	91	LMB0730		7300	59	123
LMA1300		13100	144	91	LMB0880		8800	71	123
LMA1500		15200	167	91	LMB1200		11700	95	123

8FT DIRECT Direct		Lumens	WATTS	LPW	8FT INDIRECT		Lumens	WATTS	LPW
LMA1300		13300	171	78	LMB0440		4400	36	123
LMA1500		15300	197	78	LMB0730		7300	59	123
LMA2100		21500	277	78	LMB0880		8800	71	123

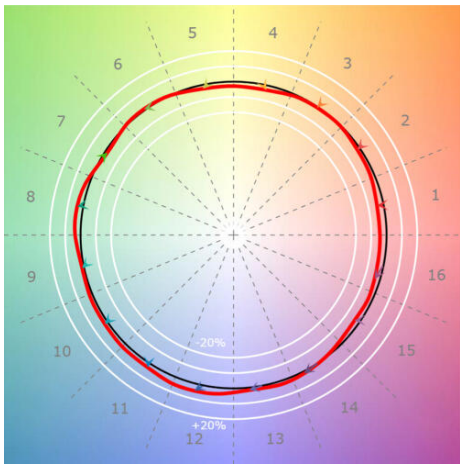
9FT DIRECT				9FT INDIRECT			
	Lumens	WATTS	LPW		Lumens	WATTS	LPW
LMA1500	15100	191	79	LMB0880	8800	71	123
LMA2100	21100	268	79	LMB1200	12000	97	123
LMA2400	24100	307	79	LMB1300	13100	107	123

12FT DIRECT				12FT INDIRECT			
	Lumens	WATTS	LPW		Lumens	WATTS	LPW
LMA2100	21200	269	79	LMB1200	12000	97	123
LMA2400	24200	307	79	LMB1300	13100	107	123
LMA3200	32300	410	79	LMB1800	17500	142	123

18FT DIRECT				18FT INDIRECT			
	Lumens	WATTS	LPW		Lumens	WATTS	LPW
LMA2400	24200	307	79	LMB1300	13100	107	123
LMA3200	32200	410	79	LMB1800	17500	142	123
LMA4800	48400	615	79	LMB3100	30700	249	123

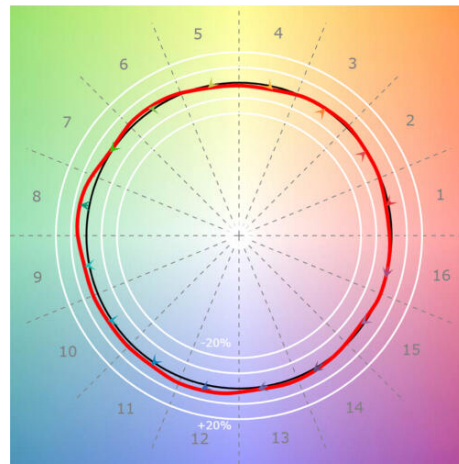
9 TM-30 DATA

CCT 2700K



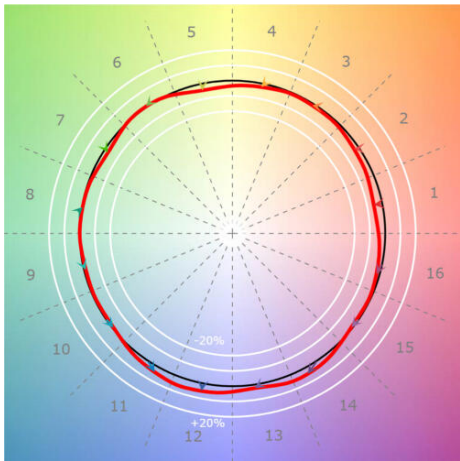
CRI(Ra)	94
CRI(R9)	58
TM30(Rf)	93
TM30(Rg)	99
Duv	0.0004

CCT 3000K



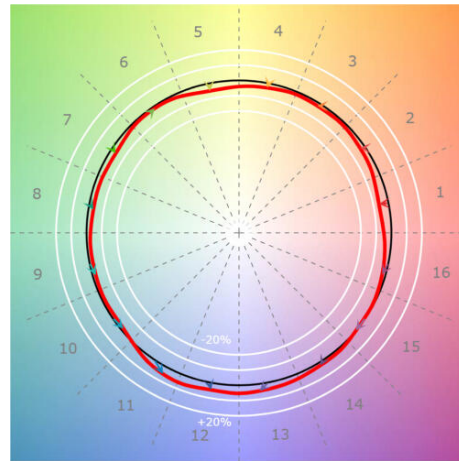
CRI(Ra)	94
CRI(R9)	75
TM30(Rf)	93
TM30(Rg)	102
Duv	-0.0001

CCT 3500K



CRI(Ra)	94
CRI(R9)	53
TM30(Rf)	91
TM30(Rg)	98
Duv	0.0009

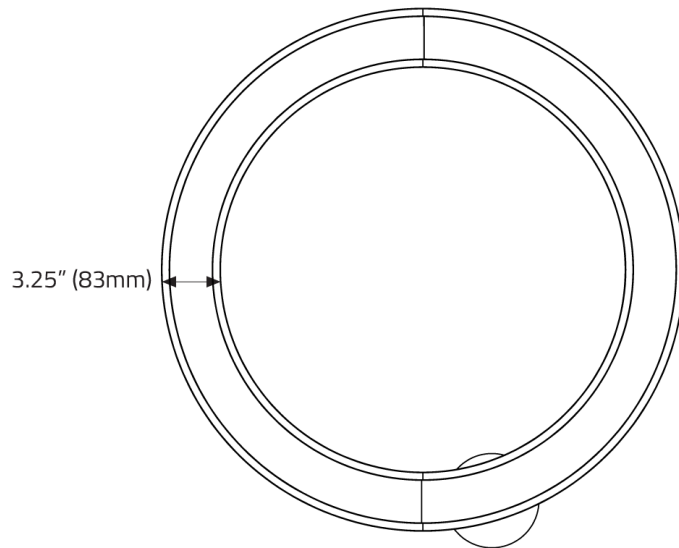
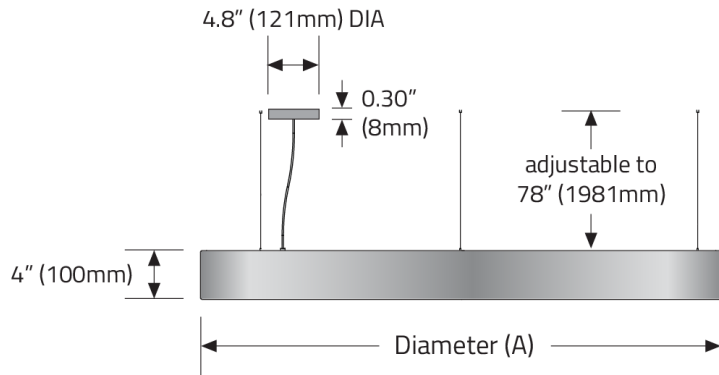
CCT 4000K



CRI(Ra)	92
CRI(R9)	50
TM30(Rf)	89
TM30(Rg)	97
Duv	0.0011

10 DIMENSIONAL DIAGRAMS

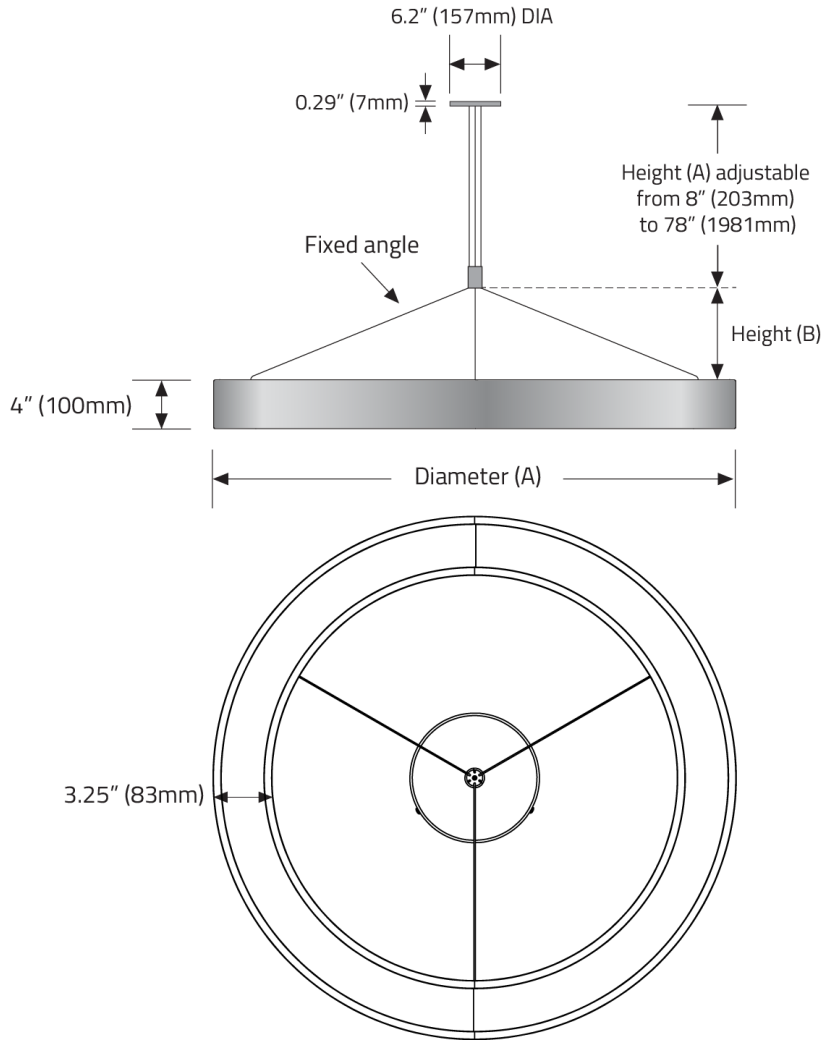
Vertical, Integral driver (SS1)



Diameter (A):

RGTP1P02, RGTP2P02	2.2' (676mm)
RGTP1P03, RGTP2P03	3.2' (965mm)
RGTP1P04, RGTP2P04	4.2' (1270mm)
RGTP1P05, RGTP2P05	5.2' (1575mm)
RGTP1P06, RGTP2P06	6.2' (1880mm)
RGTP1P07, RGTP2P07	7.2' (2184mm)
RGTP1P08, RGTP2P08	8.0' (2438mm)
RGTP1P09, RGTP2P09	9.0' (2743mm)
RGTP1P12, RGTP2P12	12.0' (3658mm)
RGTP1P18, RGTP2P18	18.0' (5486mm)

Hub, Integral driver (SS2)



Diameter (A):

RGTP1P02, RGTP2P02	2.2' (676mm)
RGTP1P03, RGTP2P03	3.2' (965mm)
RGTP1P04, RGTP2P04	4.2' (1270mm)
RGTP1P05, RGTP2P05	5.2' (1575mm)
RGTP1P06, RGTP2P06	6.2' (1880mm)
RGTP1P07, RGTP2P07	7.2' (2184mm)
RGTP1P08, RGTP2P08	8.0' (2438mm)
RGTP1P09, RGTP2P09	9.0' (2743mm)
RGTP1P12, RGTP2P12	12.0' (3658mm)
RGTP1P18, RGTP2P18	18.0' (5486mm)