

RING 3™ - SUSPENDED



Project Name:

Fixture Type:

Fixture Code:

Quantities:

A. LUMINAIRE

RGTP1P02 2ft, Direct, 4600 lms Direct	RGTP1P03 3ft, Direct, 6700 lms Direct	RGTP1P04 4ft, Direct, 8800 lms Direct	RGTP1P05 5ft, Direct, 11000 lms Direct
RGTP1P06 6ft, Direct, 13000 lms Direct	RGTP1P07 7ft, Direct, 15000 lms Direct	RGTP1P08 8ft, Direct, 21000 lms Direct	RGTP1P09 9ft, Direct, 24000 lms Direct
RGTP1P12 12ft, Direct, 32000 lms Direct	RGTP1P18 18ft, Direct, 48000 lms Direct	RGTP2P02 2ft, Direct/Indirect, 4600 lms Direct, 2200 lms Indirect	RGTP2P03 3ft, Direct/Indirect, 6700 lms Direct, 4400 lms Indirect
RGTP2P04 4ft, Direct/Indirect, 8800 lms Direct, 4400 lms Indirect	RGTP2P05 5ft, Direct/Indirect, 11000 lms Direct, 7300 lms Indirect	RGTP2P06 6ft, Direct/Indirect, 13000 lms Direct, 8800 lms Indirect	RGTP2P07 7ft, Direct/Indirect, 15000 lms Direct, 12000 lms Indirect
RGTP2P08 8ft, Direct/Indirect, 21000 lms Direct, 8800 lms Indirect	RGTP2P09 9ft, Direct/Indirect, 24000 lms Direct, 13000 lms Indirect	RGTP2P12 12ft, Direct/Indirect, 32000 lms Direct, 18000 lms Indirect	RGTP2P18 18ft, Direct/Indirect, 48000 lms Direct, 31000 lms Indirect

All information shown is based on white LEDs only at max values.

RGTP2P18 must be ordered with CS2 (dual circuit) if ordering direct/indirect and will be complete with 2 power cords and 1 canopy.

Recommended minimum suspension length: 1ft for white LEDs, 2ft for colored LEDs.

B. LUMENS (DIRECT)

LMA0230 2300	LMA0460 4600	LMA0670 6700	LMA0880 8800
LMA1100 11000	LMA1300 13000	LMA1500 15000	LMA2100 21000
LMA2400 24000	LMA3200 32000	LMA4800 48000	

Values shown are nominal.

Consult website for max lumens available/size.

C. LUMENS (INDIRECT)

LPG000 Not required	LMB0110 1100	LMB0220 2200	LMB0440 4400
LMB0730 7300	LMB0880 8800	LMB1200 12000	LMB1300 13000
LMB1800 18000	LMB3100 31000		

Values shown are nominal.

Consult website for max lumens available/size.

D. CRI

CR80 CRI 80+	CR90 CRI 90+ ¹
---------------------	----------------------------------

¹ Consult factory if 8ft diameter and above is required with CRI 90+

E. CCT (DIRECT)

CTA27 2700K ²	CTA30 3000K	CTA35 3500K	CTA40 4000K
CTA61 Dim to warm ¹			

¹ Available to special order. Not available with BIOS.

RING 3™ - SUSPENDED

F. CCT (INDIRECT)

CTB00 Not required	CTB30 3000K	CTB35 3500K	CTB40 4000K
CTB61 Dim to warm ¹			

¹ Available to special order. Not available with BIOS.

² 2700K available for Direct version only.

G. UPLIGHT DIFFUSER

UDO Not required	UD3 Batwing diffuser
-------------------------	-----------------------------

H. VOLTAGE

V1 120/277V	V2 240V ¹	V3 347V ²	V4 Low Voltage ³
--------------------	-----------------------------	-----------------------------	------------------------------------

¹ Not available in North America.

² Only available with DA01 & DB01 dimming.

³ Only available with DA45 & DB45 dimming.

I. DIMMING (DIRECT)

DA01 0-10V Dimming 1.0%	DA10 0-10V Dimming 10.0%	DA45 PoE ³
--------------------------------	---------------------------------	------------------------------

¹ Only available V4 and CRI 80+.

J. DIMMING (INDIRECT)

DB00 Not required	DB01 0-10V Dimming 1.0%	DB10 0-10V Dimming 10.0%	DB45 PoE ^{1 3}
--------------------------	--------------------------------	---------------------------------	--------------------------------

¹ DB45 only available with DA45 and V4.

K. SUSPENSION

SS1 Vertical, Integral driver	SS2 Hub, Integral driver ¹
--------------------------------------	--

¹ SS2 not available for diameters of 12ft or larger.

L. FIXTURE FINISH

FA01 White	FA02 Black Metallic - Textured	FA20 Silver Metallic - Textured	FA25 Gold Metallic - Textured
FA27 Wood grain - Light Cherry	FA28 Wood grain - Dark Walnut	FA44 Midnight Blue Metallic - Textured	FA45 Copper Metallic
FA46 Charcoal Metallic - Textured	FA47 Bronze Metallic - Textured	FA52 Champagne Metallic	FA53 Red Metallic - Textured

¹ Longer than normal lead times may apply, consult factory.

M. CANOPY FINISH

CF01 White	CF02 Black Metallic - Textured	CF20 Silver Metallic - Textured	CF25 Gold Metallic - Textured
CF44 Midnight Blue Metallic - Textured	CF45 Copper Metallic	CF46 Charcoal Metallic - Textured	CF47 Bronze Metallic - Textured
CF52 Champagne Metallic	CF53 Red Metallic - Textured		



RING 3™ - SUSPENDED

N. ACOUSTIC PANEL COLOR

AP00 Not required

AP04 White

AP13 Apple Green

AP22 Blue

AP11 Light Gray

AP26 Sesame Gray

AP27 Black

Available up to 4ft. Sizes 5ft to 8ft available with visible seams, consult factory. Acoustic panels are not available for sizes of 9ft and larger. For complimentary non-illuminating acoustic panels see our Acoustic Circles, Quads and Triangles spec pages. Other colours available to special order. Consult factory.

O. EMERGENCY

E0 Not required

E2 Emergency system - Remote ¹

¹ Not available with 347V

P. CIRCUIT

CS1 Single circuit

CS2 Dual circuit ^{1 2}

¹ RGTP1P18 must be ordered with CS2 (dual circuit) and will be complete with 2 power cords and 1 canopy.

² When ordering Remote emergency (E2), fixture will be c/w 2 power cords.

Q. CONTROLS

C0 Not required

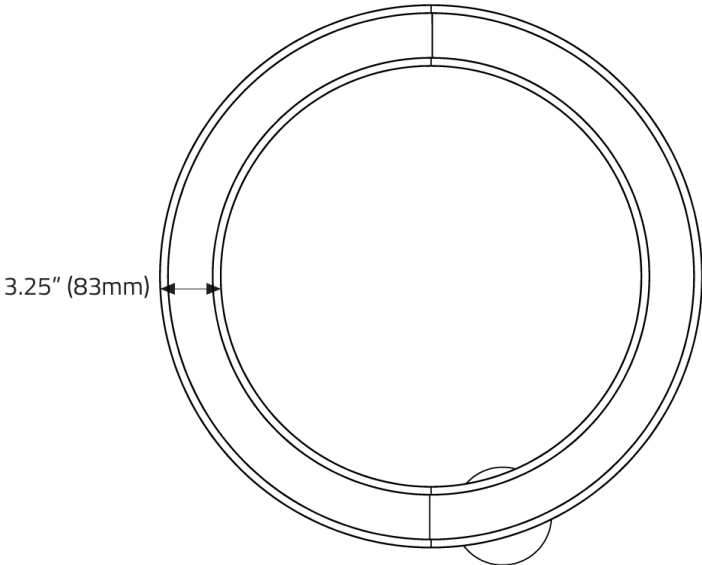
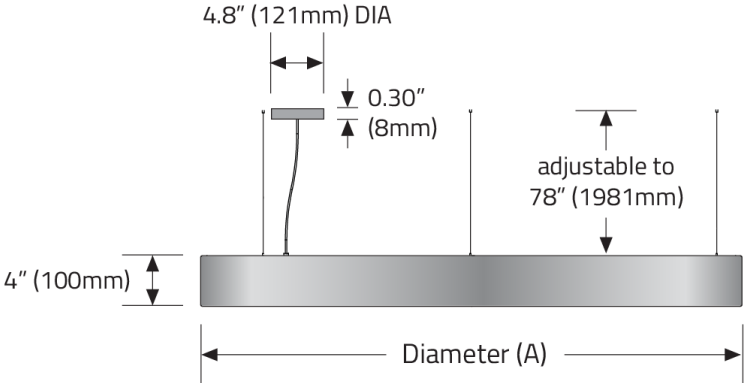
C1 Encelium/Zigbee control



RING 3™ - SUSPENDED

DIMENSIONAL DIAGRAMS

Vertical, Integral driver (SS1)

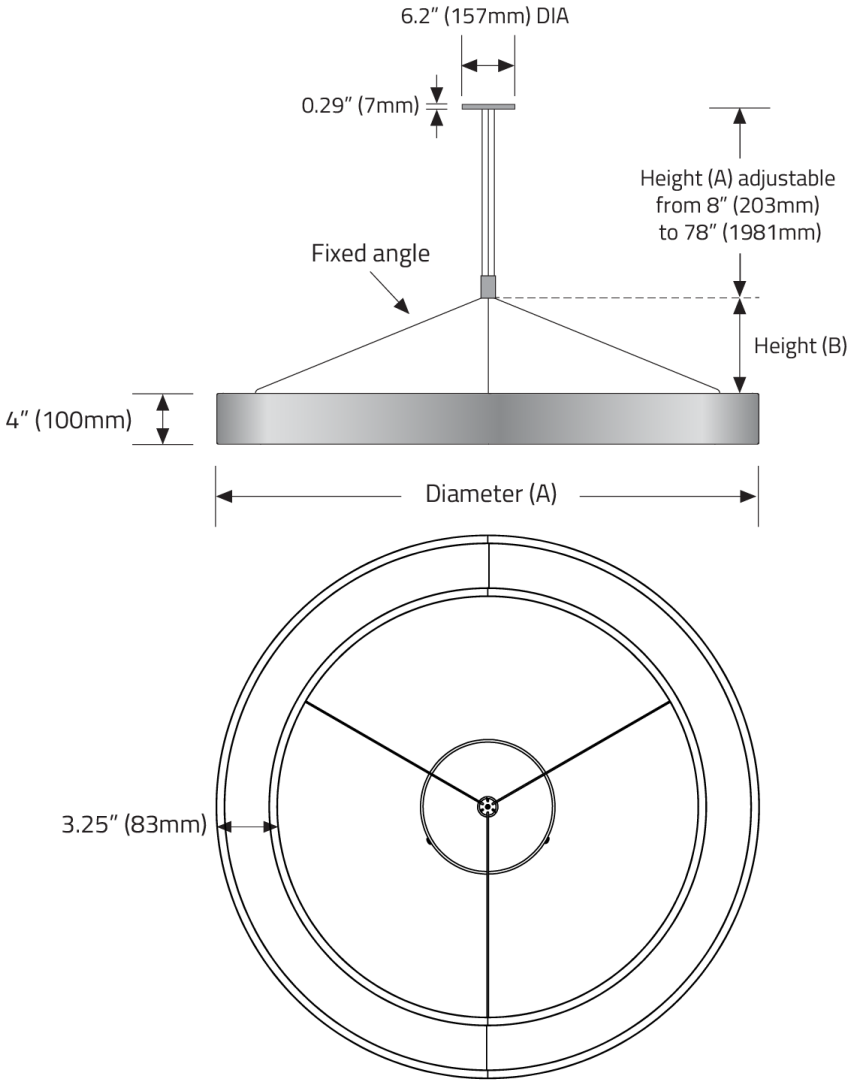


Diameter (A):

RGTP1P02, RGTP2P02	2.2' (676mm)
RGTP1P03, RGTP2P03	3.2' (965mm)
RGTP1P04, RGTP2P04	4.2' (1270mm)
RGTP1P05, RGTP2P05	5.2' (1575mm)
RGTP1P06, RGTP2P06	6.2' (1880mm)
RGTP1P07, RGTP2P07	7.2' (2184mm)
RGTP1P08, RGTP2P08	8.0' (2438mm)
RGTP1P09, RGTP2P09	9.0' (2743mm)
RGTP1P12, RGTP2P12	12.0' (3658mm)
RGTP1P18, RGTP2P18	18.0' (5486mm)

RING 3™ - SUSPENDED

Hub, Integral driver (SS2)



Diameter (A):

RGTP1P02, RGTP2P02	2.2' (676mm)
RGTP1P03, RGTP2P03	3.2' (965mm)
RGTP1P04, RGTP2P04	4.2' (1270mm)
RGTP1P05, RGTP2P05	5.2' (1575mm)
RGTP1P06, RGTP2P06	6.2' (1880mm)
RGTP1P07, RGTP2P07	7.2' (2184mm)
RGTP1P08, RGTP2P08	8.0' (2438mm)
RGTP1P09, RGTP2P09	9.0' (2743mm)
RGTP1P12, RGTP2P12	12.0' (3658mm)
RGTP1P18, RGTP2P18	18.0' (5486mm)