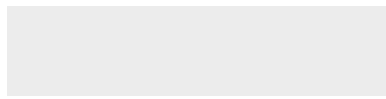
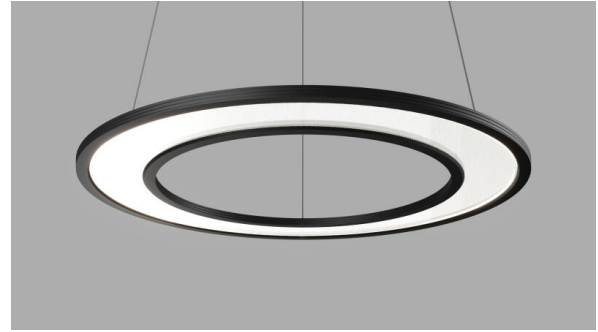


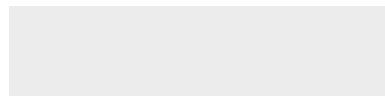


# RING BLADE™

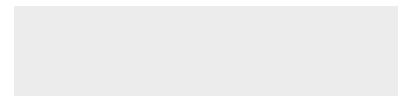
## FULL SPECIFICATION SHEET



FIXTURE TYPE



FIXTURE CODE

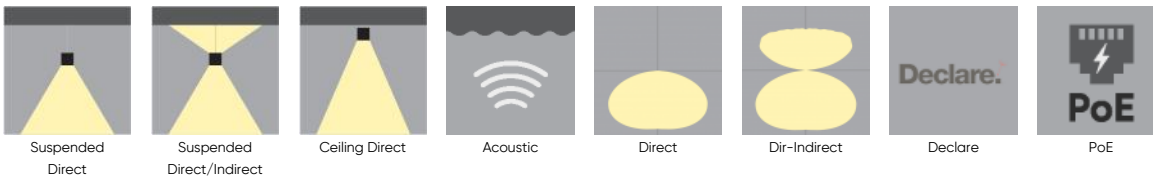


QUANTITIES

### 1 DESCRIPTION

**RING BLADE** reimagines the iconic circle, presenting a luminaire that's as razor-sharp in design as it is revolutionary. By slimming the traditional profile to an ultra-modern 3/4" while amplifying light output, it stands as a paragon of contemporary precision. Its crisp form embodies unity and precision, exuding a distinguished presence. This luminaire delivers powerful, even lighting without glare, tailored for both ambiance and task. The ceiling mount options create the illusion of being recessed, offering a seamless integration with the ceiling, as though they are a natural extension of the architecture itself. Whether standing solo or grouped in audacious arrays, **RING BLADE** transforms spaces with bold luminosity and dynamic form, redefining the circle's role in the lexicon of modern design.

### 2 OPTICS & FEATURES



### 3 APPROVALS



### 4 GENERAL SPECIFICATION

#### BODY AND TRIM

Steel and aluminum.

#### FINISH

Powder coated.

## SUSPENSION

P.O.S. Power over suspension cable.

## REMOTE EMERGENCY SYSTEM

Emergency option provides a 1.5 hour (3 hours for EU) emergency lighting facility. The remote system includes the inverter module, NiCad batteries and a remote wall/ceiling LED charge indicator and test switch (NA only) Maximum distance between wall/ceiling plate and luminaire is 15' (4.5m). Test switch fits a single gang box (not supplied).

## DRIVERS

Remote, HPF electronic drivers for 120-277V (EU-240V) dimming. Wire size 18 AWG - max distance (from fixture to drivers) 40' (12.2m), wire size 16 AWG - max distance 60' (18.3m), wire size 14 AWG - max distance 90' (27.4m). Drivers must be accessible after installation. Drivers are either remote mounted or integral to the canopy. For longer remote distances, consult factory.

## ACOUSTIC PANELS FIRE RATING

ASTM E84-2018 Class A.

## ACOUSTIC PANELS THICKNESS

12mm (0.5")

## POE

Ring can integrate into your data network via Power over Ethernet (PoE) connectivity.

## DELIVERED LUMENS

Delivered lumens & LPW based on 4000K (min 90 CRI).

## APPROVALS

Damp Location (Indoor use only).

## SEISMIC BRACING

Seismic bracing kits are available to meet compliance requirements. Consult the factory for details.

## DESIGN

US Pat. No. D1,082,099

## LENS

Optical grade clear polymethyl methacrylate.

## REMOTE MOUNTING OF DRIVERS

Wire Size (max distance from canopy to drivers) 18 AWG - 9.5' (2.9m), 16 AWG - 19.5' (5.9m), 14 AWG - 29.5' (9.0m). Drivers must be accessible after installation.

## ACOUSTIC PANELS NRC RATING

0.80

## ACOUSTIC PANELS MATERIAL

100% recycled polyester fiber (PET).

## EFFICACY

100 LPW for direct only, 113 LPW for the direct-indirect.

## MECHANICAL

Luminaires mount directly over J box (by others - North America only).

## REPORTED L70 @25°C(77°F)

> 50,000 hrs.

## DESIGN

US Design Patent Pending.

## ACOUSTIC PANEL MAINTENANCE

Durable and easy to maintain. Dust regularly and clean marks with mild detergent, rinse, and blot.

**5 DESIGN OPTIONS**

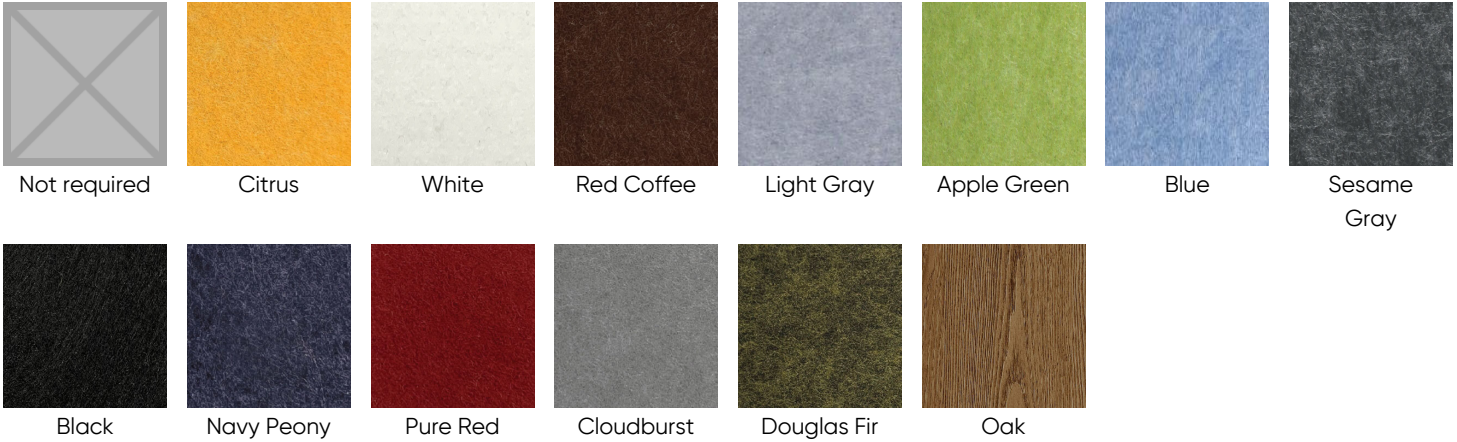
**FIXTURE FINISH**

							
White	Black Metallic - Textured	Silver Metallic - Textured	Gold Metallic - Textured	Midnight Blue Metallic - Textured	Copper Metallic	Charcoal Metallic - Textured	Bronze Metallic - Textured
							
Champagne Metallic	Red Metallic - Textured						

**CANOPY FINISH**

Not required							
	White	Black Metallic - Textured	Silver Metallic - Textured	Gold Metallic - Textured	Midnight Blue Metallic - Textured	Copper Metallic	Charcoal Metallic - Textured
							
Bronze Metallic - Textured	Champagne Metallic	Red Metallic - Textured					

**ACOUSTIC PANEL FINISH**



Acoustic panels 48" and larger will include a visible seam. For accompanying non-illuminating acoustic panels, see our Acoustic Circles, Quads, Triangles, and Ellipse spec pages. Other finishes available. Contact factory.

**6 HOW TO ORDER**

<p><b>LUMINAIRE TYPE</b></p> <p>RBDP Pendant</p>	<p><b>DIAMETER</b></p> <p>SL03 3ft, 9700 lms SL04 4ft, 13000 lms SL05 5ft, 16400 lms SL06 6ft, 19700 lms</p>	<p><b>DISTRIBUTION</b></p> <p>DR1 Direct 100% DR2 Direct 54% / Indirect 46% Single circuit only. Dual circuit not supported.</p>	<p><b>LM/FT</b></p> <p>LPF040 400 lm/ft<sup>1</sup> LPF060 600 lm/ft<sup>1 2 3</sup> LPF080 800 lm/ft<sup>1 2 4</sup> LPF100 1000 lm/ft<sup>2 5</sup></p> <p><small><sup>1</sup> Available with DR1 (Direct only). <sup>2</sup> Available with DR2 (Direct/Indirect). <sup>3</sup> Based on 60% of total output (for DR2). <sup>4</sup> Based on 80% of total output (for DR2). <sup>5</sup> 100% of total output (for DR2).</small></p>
<p><b>CRI</b></p> <p>CR90 CRI 90+</p>	<p><b>CCT</b></p> <p>CTA27 2700K CTA30 3000K CTA35 3500K CTA40 4000K</p>	<p><b>VOLTAGE</b></p> <p>V1 120/277V V2 240V<sup>1</sup> V3 347V<sup>2</sup> V4 Low Voltage<sup>3</sup></p> <p><small><sup>1</sup> V2 not available in North America. <sup>2</sup> V3 available with DA01 dimming only. <sup>3</sup> V4 available with DA45 dimming only.</small></p>	<p><b>DIMMING (REMOTE)</b></p> <p>DA01 0-10V Dimming 1.0% DA02 0-10V Dimming 0.1%<sup>1</sup> DA20 DALI Dimming 0.1%<sup>1</sup> DA21 DALI Dimming 1.0%<sup>1</sup> DA30 DSI/switchDim<sup>1 2</sup> DA45 PoE<sup>3</sup></p> <p><small><sup>1</sup> Not available with V3 or V4. <sup>2</sup> DA30 not available in North America. <sup>3</sup> DA45 used V4 only.</small></p>

SUSPENSION	FIXTURE FINISH	CANOPY FINISH	ACOUSTIC PANEL COLOR
<p><b>SS0</b> Not required</p> <p><b>SS6</b> POS, Vertical, Remote driver</p> <p><b>SS7</b> POS, Hub, Remote driver <sup>1</sup></p> <p><b>SS9</b> POS, Hub, Driver Integral to Canopy <sup>1 2</sup></p> <p><sup>1</sup> Available with V1 (120V) only. The minimum suspension height relative to diameter is as follows: 3' = 18", 4' = 24", 5' = 30", 6' = 36".</p> <p><sup>2</sup> Available with V1 (120V) only.</p>	<p><b>FA01</b> White</p> <p><b>FA02</b> Black Metallic - Textured</p> <p><b>FA20</b> Silver Metallic - Textured</p> <p><b>FA25</b> Gold Metallic - Textured</p> <p><b>FA44</b> Midnight Blue Metallic - Textured</p> <p><b>FA45</b> Copper Metallic</p> <p><b>FA46</b> Charcoal Metallic - Textured</p> <p><b>FA47</b> Bronze Metallic - Textured</p> <p><b>FA52</b> Champagne Metallic</p> <p><b>FA53</b> Red Metallic - Textured</p>	<p><b>CF00</b> Not required</p> <p><b>CF01</b> White</p> <p><b>CF02</b> Black Metallic - Textured</p> <p><b>CF20</b> Silver Metallic - Textured</p> <p><b>CF25</b> Gold Metallic - Textured</p> <p><b>CF44</b> Midnight Blue Metallic - Textured</p> <p><b>CF45</b> Copper Metallic</p> <p><b>CF46</b> Charcoal Metallic - Textured</p> <p><b>CF47</b> Bronze Metallic - Textured</p> <p><b>CF52</b> Champagne Metallic</p> <p><b>CF53</b> Red Metallic - Textured</p>	<p><b>AP00</b> Not required</p> <p><b>AP02</b> Citrus</p> <p><b>AP04</b> White</p> <p><b>AP08</b> Red Coffee</p> <p><b>AP11</b> Light Gray</p> <p><b>AP13</b> Apple Green</p> <p><b>AP22</b> Blue</p> <p><b>AP26</b> Sesame Gray</p> <p><b>AP27</b> Black</p> <p><b>AP47</b> Navy Peony</p> <p><b>AP60</b> Pure Red</p> <p><b>AP73</b> Cloudburst</p> <p><b>AP89</b> Douglas Fir</p> <p><b>APW01</b> Oak</p> <p>Acoustic panels 48" and larger will include a visible seam. For accompanying non-illuminating acoustic panels, see our Acoustic Circles, Quads, Triangles, and Ellipse spec pages. Other finishes available. Contact factory.</p>

EMERGENCY
<p><b>E0</b> Not required</p> <p><b>E2</b> Emergency system - Remote <sup>1</sup></p> <p><sup>1</sup> Not available in Integral or with 347V. Consult factory.</p>

**7 PERFORMANCE DATA**

SLO3-DR1 Direct	Lumens	Watts	LPW	SLO3-DR2 Dir-Ind	Lumens	Watts	LPW
LPF040	3800	36	108	LPF060	5900	49	120
LPF060	5600	55	103	LPF080	7800	67	116
LPF080	7600	76	100	LPF100	9700	86	113

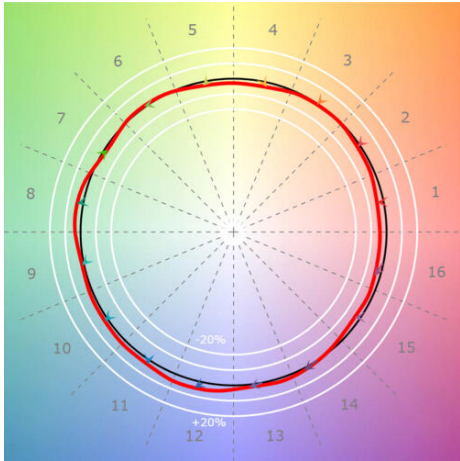
SLO4-DR1 Direct	Lumens	Watts	LPW	SLO4-DR2 Dir-Ind	Lumens	Watts	LPW
LPF040	5100	48	108	LPF060	7900	66	120
LPF060	7500	73	103	LPF080	10500	90	116
LPF080	10200	102	100	LPF100	13000	115	113

SLO5-DR1 Direct	Lumens	Watts	LPW	SLO5-DR2 Dir-Ind	Lumens	Watts	LPW
LPF040	6500	60	108	LPF060	10000	84	120
LPF060	9500	92	103	LPF080	13200	114	116
LPF080	12900	129	100	LPF100	16400	145	113

SLO6-DR1 Direct	Lumens	Watts	LPW	SLO6-DR2 Dir-Ind	Lumens	Watts	LPW
LPF040	7800	72	108	LPF060	12000	100	120
LPF060	11400	111	103	LPF080	15900	137	116
LPF080	15400	154	100	LPF100	19700	174	113

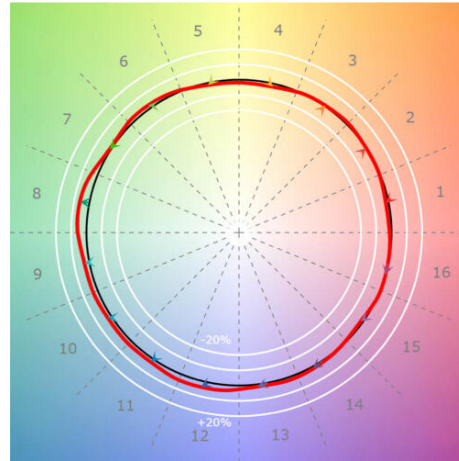
8 TM-30 DATA

**CCT 2700K**



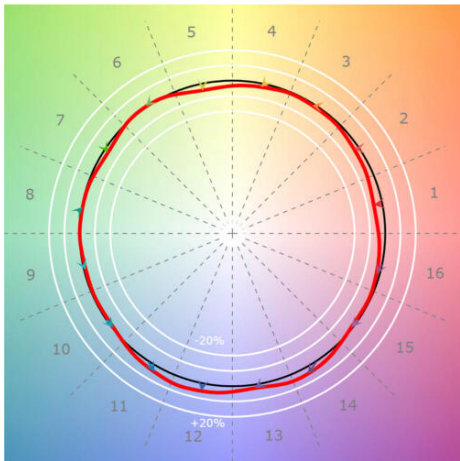
<b>CRI(Ra)</b>	94
<b>CRI(R9)</b>	58
<b>TM30(Rf)</b>	93
<b>TM30(Rg)</b>	99
<b>Duv</b>	0.0004

**CCT 3000K**



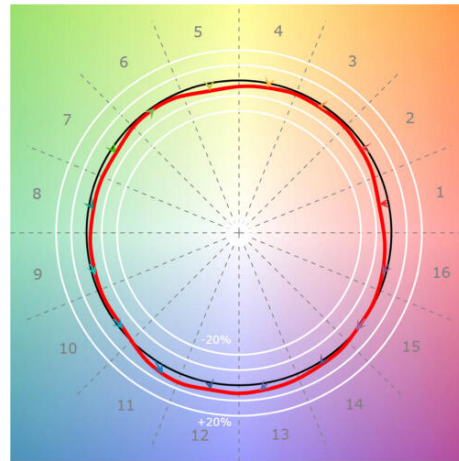
<b>CRI(Ra)</b>	94
<b>CRI(R9)</b>	75
<b>TM30(Rf)</b>	93
<b>TM30(Rg)</b>	102
<b>Duv</b>	-0.0001

**CCT 3500K**



<b>CRI(Ra)</b>	94
<b>CRI(R9)</b>	53
<b>TM30(Rf)</b>	91
<b>TM30(Rg)</b>	98
<b>Duv</b>	0.0009

**CCT 4000K**



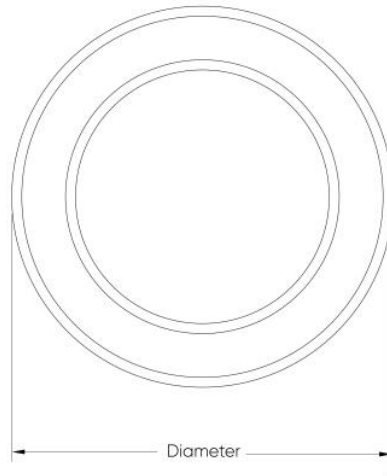
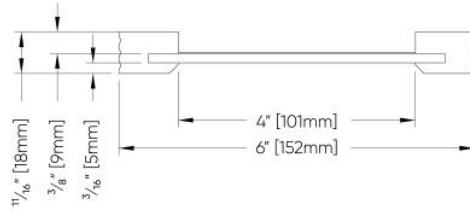
<b>CRI(Ra)</b>	92
<b>CRI(R9)</b>	50
<b>TM30(Rf)</b>	89
<b>TM30(Rg)</b>	97
<b>Duv</b>	0.0011

**9** DIMENSIONAL DIAGRAMS

**DISTANCE TO CEILING SURFACE MOUNT**

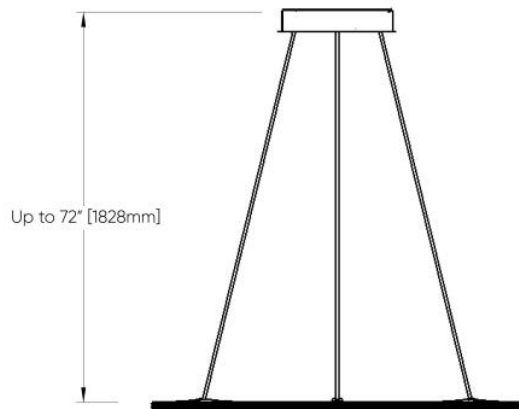


**CROSS SECTION**

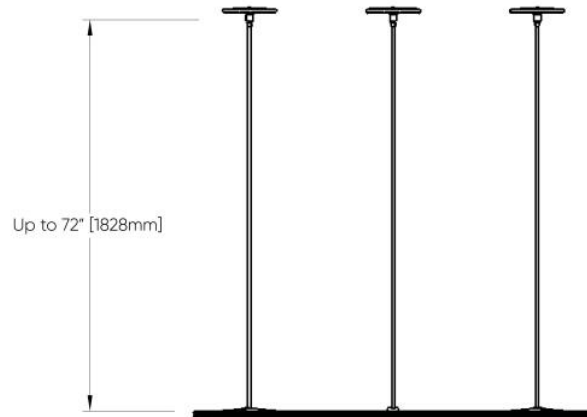


Diameter	Minimum Suspension Height
3ft [914mm]	15" [381mm]
4ft [1219mm]	20" [508mm]
5ft [1524mm]	25" [635mm]
6ft [1828mm]	35" [889mm]

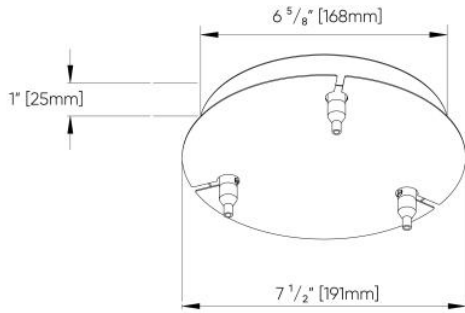
**Distance to ceiling  
Hub Mount**



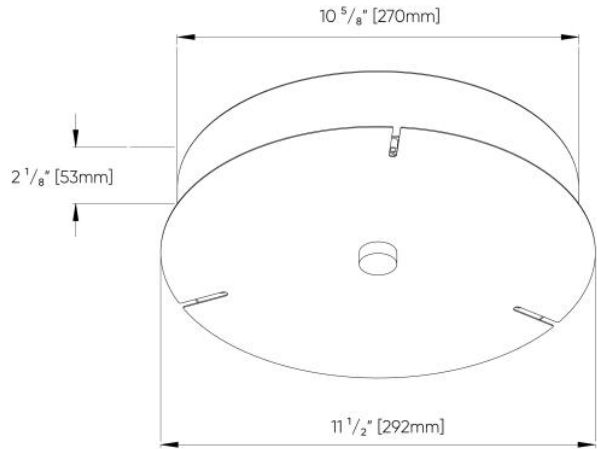
**Distance to ceiling  
Vertical Mount**



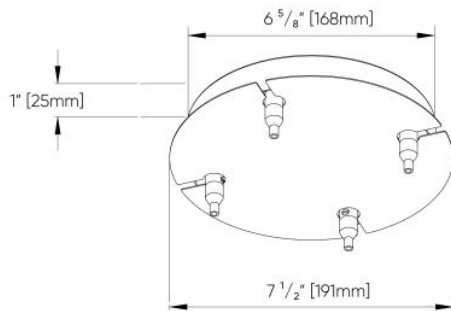
POS, Hub, Remote driver (SS7)  
(Diameter: 3ft, 4ft)



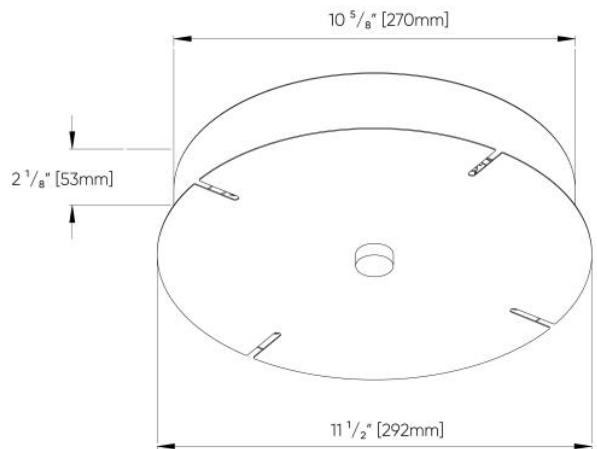
POS, Hub, Driver Integral to Canopy (SS9)  
(Diameter: 3ft, 4ft)



POS, Hub, Remote driver (SS7)  
(Diameter: 5ft, 6ft)



POS, Hub, Driver Integral to Canopy (SS9)  
(Diameter: 5ft, 6ft)



POS, Vertical, Remote driver (SS6)  
(Diameter: 3ft, 4ft, 5ft, 6ft)

