

# RING BLADE™

Project Name:

Fixture Type:

Fixture Code:

Quantities:

## A. LUMINAIRE TYPE

**RBDP** Pendant

**RBDC** Ceiling

## B. DIAMETER

**SL03** 3ft, 9700 lms

**SL04** 4ft, 13000 lms

**SL05** 5ft, 16400 lms

**SL06** 6ft, 19400 lms

## C. DISTRIBUTION

**DRO** Direct 100%

**DR2** Direct 50% / Indirect 50%

## D. LM/FT

**LPF040** 400 lm/ft<sup>1</sup>

**LPF060** 600 lm/ft<sup>1 2</sup>

**LPF080** 800 lm/ft<sup>1 2</sup>

**LPF100** 1000 lm/ft<sup>2</sup>

<sup>1</sup> 100% Direct light

<sup>2</sup> 54 Direct light/46% Indirect light

## E. CRI

**CR90** CRI 90+

## F. CCT

**CTA27** 2700K<sup>1</sup>

**CTA30** 3000K

**CTA35** 3500K

**CTA40** 4000K

<sup>1</sup> Longer than normal lead times may apply, consult factory.

## G. VOLTAGE

**V1** 120/277V

**V2** 240V<sup>1</sup>

**V3** 347V<sup>2</sup>

**V4** Low Voltage<sup>3</sup>

<sup>1</sup> V2 not available in North America.

<sup>2</sup> V3 available with DA01 dimming only.

<sup>3</sup> V4 available with DA45 dimming only.

## H. DIMMING (REMOTE)

**DA01** 0-10V Dimming 1.0%

**DA02** 0-10V Dimming 0.1%<sup>1</sup>

**DA20** DALI Dimming 0.1%<sup>1</sup>

**DA21** DALI Dimming 1.0%<sup>1</sup>

**DA30** DSI/switchDim<sup>1 2</sup>

**DA45** PoE<sup>3</sup>

<sup>1</sup> Not available with V3 or V4.

<sup>2</sup> DA30 not available in North America

<sup>3</sup> DA45 used V4 only.

## I. SUSPENSION

**SS0** Not required

**SS6** POS, Vertical, Remote driver

**SS7** POS, Hub, Remote driver<sup>1</sup>

**SS9** POS, Hub, Driver Integral to Canopy<sup>1</sup>

<sup>1</sup> Available with V1 (120V) only. The minimum suspension height relative to diameter is as follows: 3ft = 18", 4ft = 24", 5ft = 30", 6ft = 36".



# RING BLADE™

## J. FIXTURE FINISH

**FA01** White

**FA44** Midnight Blue Metallic - Textured

**FA52** Champagne Metallic

**FA02** Black Metallic - Textured

**FA45** Copper Metallic

**FA53** Red Metallic - Textured

**FA20** Silver Metallic - Textured

**FA46** Charcoal Metallic - Textured

**FA25** Gold Metallic - Textured

**FA47** Bronze Metallic - Textured

## K. CANOPY FINISH

**CF00** Not required

**CF25** Gold Metallic - Textured

**CF47** Bronze Metallic - Textured

**CF01** White

**CF44** Midnight Blue Metallic - Textured

**CF52** Champagne Metallic

**CF02** Black Metallic - Textured

**CF45** Copper Metallic

**CF53** Red Metallic - Textured

**CF20** Silver Metallic - Textured

**CF46** Charcoal Metallic - Textured

## L. ACOUSTIC PANEL COLOR

**AP00** Not required

**AP11** Light Gray

**AP04** White

**AP26** Sesame Gray

**AP13** Apple Green

**AP27** Black

**AP22** Blue

Available up to 5ft diameter. Larger sizes available with visible seams, consult factory.  
For accompanying non-illuminating acoustic panels see our Acoustic Circles, Quads, Triangles and Ellipse spec pages.  
Other finishes available. Consult factory.

## M. EMERGENCY

**E0** Not required

**E2** Emergency system - Remote <sup>1</sup>

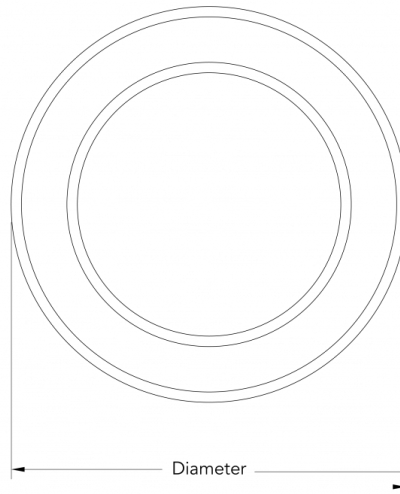
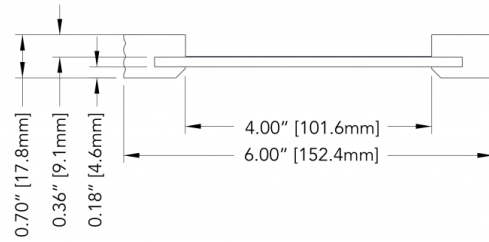
<sup>1</sup> Not available in Integral or with 347V.

## DIMENSIONAL DIAGRAMS

### DISTANCE TO CEILING SURFACE MOUNT

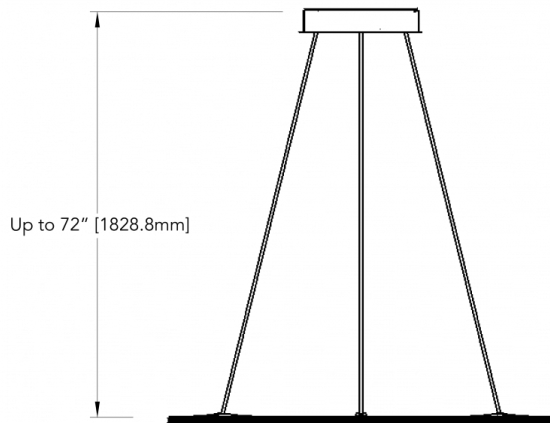


### CROSS SECTION



Diameter	Minimum Suspension Height
3ft [914.4mm]	15" [381mm]
4ft [1219.2mm]	20" [508mm]
5ft [1524mm]	25" [635mm]
6ft [1828.8mm]	35" [889mm]
7ft [2133.6mm]	40" [1016mm]

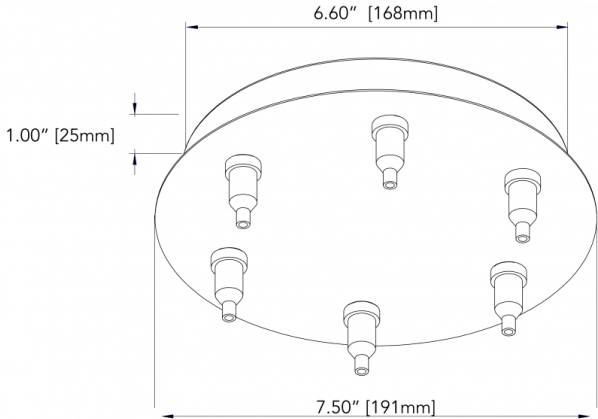
### Distance to ceiling Hub Mount



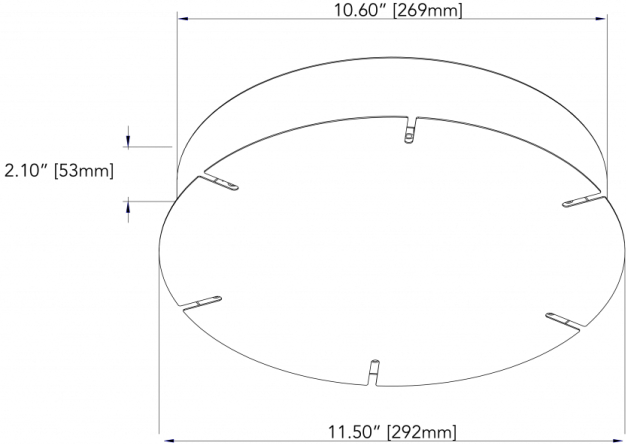
### Distance to ceiling Vertical Mount



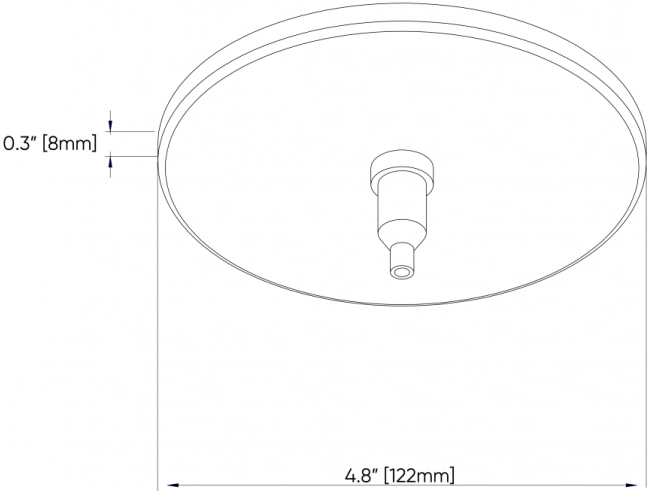
Hub Remote POS



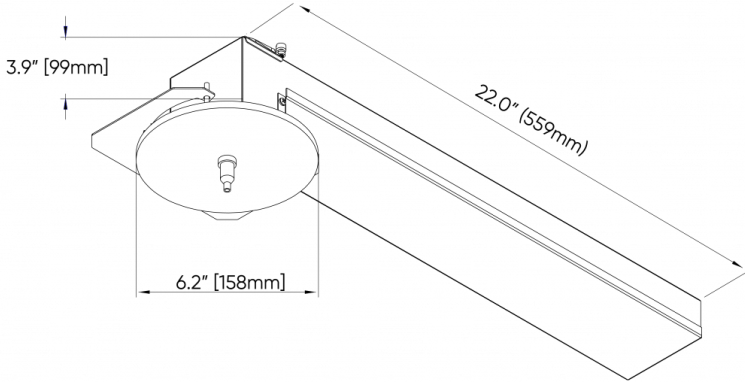
Hub Integral POS



Vertical Remote POS



Vertical Integral Recessed POS



Vertical Integral POS

