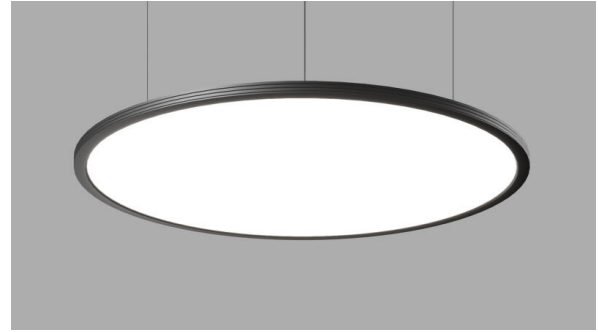




# RING DISC™

## FULL SPECIFICATION SHEET



FIXTURE TYPE



FIXTURE CODE



QUANTITIES

### 1 DESCRIPTION

The **RING DISC** represents a refined evolution of luminaire design, offering a streamlined alternative to the classic disc form factor. With its ultra-thin profile and minimalist aesthetic, **RING DISC** blends seamlessly into the architectural environment, providing soft, even illumination without overwhelming the space design. This fixture's understated elegance allows it to enhance the ambiance subtly, contributing to a cohesive and harmonious atmosphere. Ideal for those seeking a sophisticated lighting solution, **RING DISC** delivers all the benefits of contemporary lighting technology in a sleek, unobtrusive form, setting a new standard for architectural integration.

### 2 OPTICS & FEATURES



Suspended  
Direct



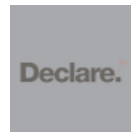
Suspended  
Direct/Indirect



Direct



Dir-Indirect



Declare



PoE

### 3 APPROVALS



### 4 GENERAL SPECIFICATION

#### BODY AND TRIM

Steel and aluminum.

#### FINISH

Powder coated.

## SUSPENSION

P.O.S. Power over suspension cable.

## REMOTE EMERGENCY SYSTEM

Emergency option provides a 1.5 hour (3 hours for EU) emergency lighting facility. The remote system includes the inverter module, NiCad batteries and a remote wall/ceiling LED charge indicator and test switch (NA only) Maximum distance between wall/ceiling plate and luminaire is 15' (4.5m). Test switch fits a single gang box (not supplied).

## DRIVERS

Remote, HPF electronic drivers for 120-277V (EU-240V) dimming. Wire size 18 AWG - max distance (from fixture to drivers) 40' (12.2m), wire size 16 AWG - max distance 60' (18.3m), wire size 14 AWG - max distance 90' (27.4m). Drivers must be accessible after installation. Drivers are either remote mounted or integral to the canopy. For longer remote distances, consult factory.

## ACOUSTIC PANELS FIRE RATING

ASTM E84-2018 Class A.

## ACOUSTIC PANELS THICKNESS

12mm (0.5")

## MECHANICAL

Luminaires mount directly over J box (by others - North America only).

## REPORTED L70 @25°C(77°F)

> 50,000 hrs.

## DESIGN

US Design Patent Pending.

## ACOUSTIC PANEL MAINTENANCE

Durable and easy to maintain. Dust regularly and clean marks with mild detergent, rinse, and blot.

## LENS

Optical grade clear polymethyl methacrylate.

## REMOTE MOUNTING OF DRIVERS

Wire Size (max distance from canopy to drivers) 18 AWG - 9.5' (2.9m), 16 AWG - 19.5' (5.9m), 14 AWG - 29.5' (9.0m). Drivers must be accessible after installation.

## ACOUSTIC PANELS NRC RATING

0.80

## ACOUSTIC PANELS MATERIAL

100% recycled polyester fiber (PET).

## POE

Ring can integrate into your data network via Power over Ethernet (PoE) connectivity.

## DELIVERED LUMENS

Delivered lumens & LPW based on 4000K (min 90 CRI).

## APPROVALS

Damp Location (Indoor use only).

## SEISMIC BRACING

Seismic bracing kits are available to meet compliance requirements. Consult the factory for details.

**5 DESIGN OPTIONS**

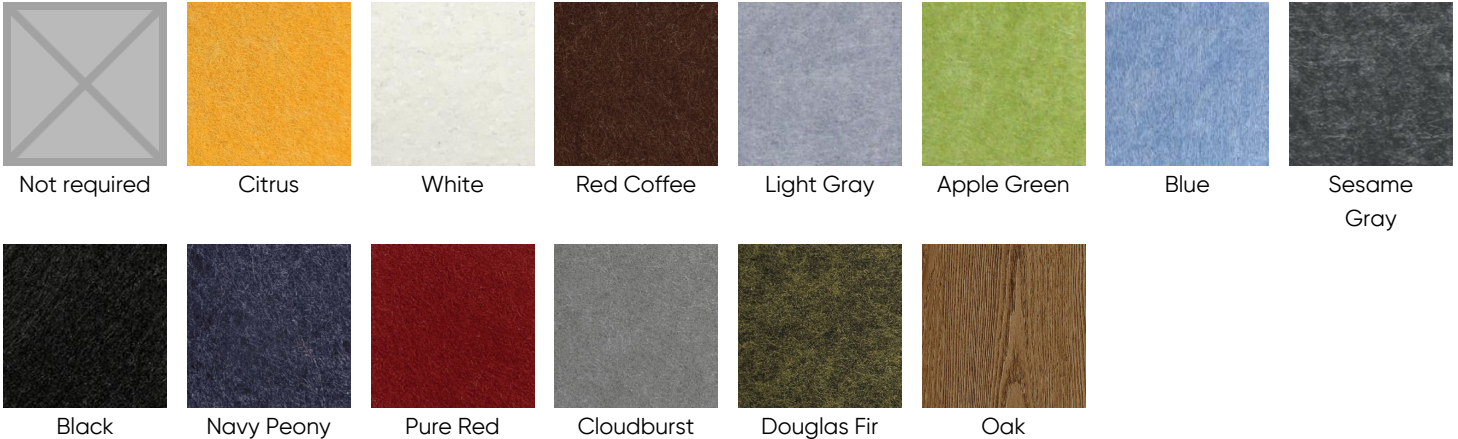
**FIXTURE FINISH**

							
White	Black Metallic - Textured	Silver Metallic - Textured	Gold Metallic - Textured	Midnight Blue Metallic - Textured	Copper Metallic	Charcoal Metallic - Textured	Bronze Metallic - Textured
							
Champagne Metallic	Red Metallic - Textured						

**CANOPY FINISH**

							
Not required	White	Black Metallic - Textured	Silver Metallic - Textured	Gold Metallic - Textured	Midnight Blue Metallic - Textured	Copper Metallic	Charcoal Metallic - Textured
							
Bronze Metallic - Textured	Champagne Metallic	Red Metallic - Textured					

**ACOUSTIC PANEL FINISH**



Other finishes available. Contact factory.

**6 HOW TO ORDER**

**1. LUMINAIRE TYPE**

RNDP Pendant

**2. ILLUMINATED OR NON-ILLUMINATED**

LTD1 Illuminated

LTD2 Non-Illuminated

**3. DIAMETER**

SL03 3ft, 9700 lms

SL04 4ft, 13000 lms

**4. DISTRIBUTION**

DR0 Not required

DR1 Direct 100%

DR2 Direct 48% / Indirect 52%

Single circuit only. Dual circuit not supported.

**5. LUMENS**

LMA0000 Not required

LMA0170 1700 lms

LMA0230 2300 lms

LMA0300 3000 lms

LMA0340 3400 lms

LMA0460 4600 lms

LMA0520 5200 lms

LMA0610 6100 lms

LMA0690 6900 lms

LMA0900 9000 lms

LMA0920 9200 lms

LMA1205 12050 lms

**6. CRI**

CR00 Not required

CR90 CRI 90+

## 7. CCT

<b>CTA00</b> Not required	<b>CTA27</b> 2700K	<b>CTA30</b> 3000K	<b>CTA35</b> 3500K
<b>CTA40</b> 4000K			

## 8. VOLTAGE

<b>V0</b> Not required	<b>V1</b> 120/277V	<b>V2</b> 240V <sup>1</sup>	<b>V3</b> 347V <sup>2</sup>
<b>V4</b> Low Voltage <sup>3</sup>			

<sup>1</sup> V2 not available in North America. <sup>2</sup> V3 available with DA01 dimming only. <sup>3</sup> V4 available with DA45 dimming only.

## 9. DIMMING (REMOTE)

<b>DA00</b> Not required	<b>DA01</b> 0–10V Dimming 1.0%	<b>DA02</b> 0–10V Dimming 0.1% <sup>1</sup>	<b>DA20</b> DALI Dimming 0.1% <sup>1</sup>
<b>DA21</b> DALI Dimming 1.0% <sup>1</sup>	<b>DA30</b> DSI/switchDim <sup>1 2</sup>	<b>DA45</b> PoE <sup>3</sup>	

<sup>1</sup> Not available with V3 or V4. <sup>2</sup> DA30 not available in North America. <sup>3</sup> DA45 used V4 only.

## 10. SUSPENSION

<b>SS1</b> Vertical, Aircraft Cable <sup>2</sup>	<b>SS2</b> Hub, Aircraft Cable <sup>2</sup>	<b>SS6</b> POS, Vertical, Remote driver <sup>3</sup>	<b>SS7</b> POS, Hub, Remote driver <sup>1 3</sup>
<b>SS9</b> POS, Hub, Driver Integral to Canopy <sup>1 3 4</sup>			

<sup>1</sup> The minimum suspension height relative to diameter is as follows: 3' = 18", 4' = 24". <sup>2</sup> Available with Pendant - Non Illuminated only.

<sup>3</sup> Available with Pendant - Illuminated only. <sup>4</sup> Available with V1 (120V) only.

## 11. FIXTURE FINISH

<b>FA01</b> White	<b>FA02</b> Black Metallic - Textured	<b>FA20</b> Silver Metallic - Textured	<b>FA25</b> Gold Metallic - Textured
<b>FA44</b> Midnight Blue Metallic - Textured	<b>FA45</b> Copper Metallic	<b>FA46</b> Charcoal Metallic - Textured	<b>FA47</b> Bronze Metallic - Textured
<b>FA52</b> Champagne Metallic	<b>FA53</b> Red Metallic - Textured		

## 12. CANOPY FINISH

<b>CF00</b> Not required	<b>CF01</b> White	<b>CF02</b> Black Metallic - Textured	<b>CF20</b> Silver Metallic - Textured
<b>CF25</b> Gold Metallic - Textured	<b>CF44</b> Midnight Blue Metallic - Textured	<b>CF45</b> Copper Metallic	<b>CF46</b> Charcoal Metallic - Textured
<b>CF47</b> Bronze Metallic - Textured	<b>CF52</b> Champagne Metallic	<b>CF53</b> Red Metallic - Textured	

### 13. ACOUSTIC PANEL COLOR

<b>AP00</b> Not required	<b>AP02</b> Citrus	<b>AP04</b> White	<b>AP08</b> Red Coffee
<b>AP11</b> Light Gray	<b>AP13</b> Apple Green	<b>AP22</b> Blue	<b>AP26</b> Sesame Gray
<b>AP27</b> Black	<b>AP47</b> Navy Peony	<b>AP60</b> Pure Red	<b>AP73</b> Cloudburst
<b>AP89</b> Douglas Fir	<b>APW01</b> Oak		

Other finishes available. Contact factory.

### 14. EMERGENCY

<b>E0</b> Not required	<b>E2</b> Emergency system – Remote <sup>1</sup>
------------------------	--

<sup>1</sup> Not available in Integral or with 347V. Consult factory.

## 7 PERFORMANCE DATA

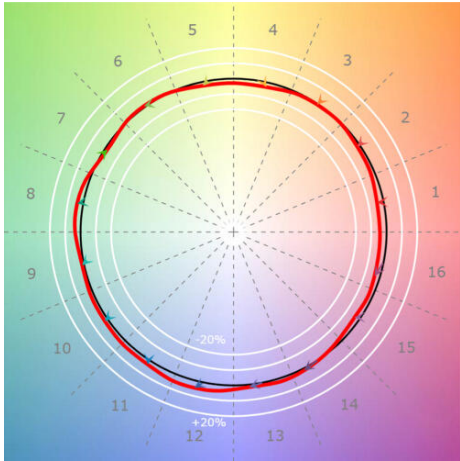
<b>SL03-DR1</b> Direct	<b>Lumens</b>	<b>Watts</b>	<b>LPW</b>	<b>SL03-DR2</b> Dir-Indirect	<b>Lumens</b>	<b>Watts</b>	<b>LPW</b>
LMA0170	1700	19	91	LMA0230	2200	19	119
LMA0340	3500	41	85	LMA0460	4600	41	111
LMA0520	5200	63	82	LMA0690	6800	63	108
LMA0690	6900	86	80	LMA0900	9000	86	105

<b>SL04-DR1</b> Direct	<b>Lumens</b>	<b>Watts</b>	<b>LPW</b>	<b>SL04-DR2</b> Dir-Indirect	<b>Lumens</b>	<b>Watts</b>	<b>LPW</b>
LMA0230	2300	25	91	LMA0300	3000	25	119
LMA0460	4700	55	85	LMA0610	6100	55	111
LMA0690	7000	85	82	LMA0920	9200	85	108
LMA0920	9200	115	80	LMA1205	12050	115	105

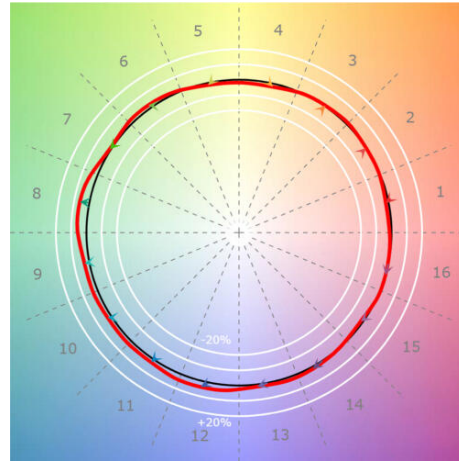
8 TM-30 DATA

**CCT 2700K**



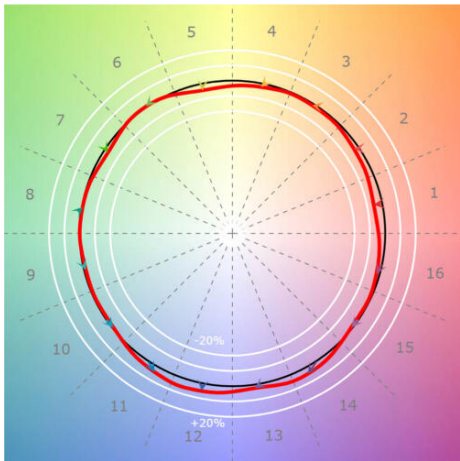
<b>CRI(Ra)</b>	94
<b>CRI(R9)</b>	58
<b>TM30(Rf)</b>	93
<b>TM30(Rg)</b>	99
<b>Duv</b>	0.0004

**CCT 3000K**



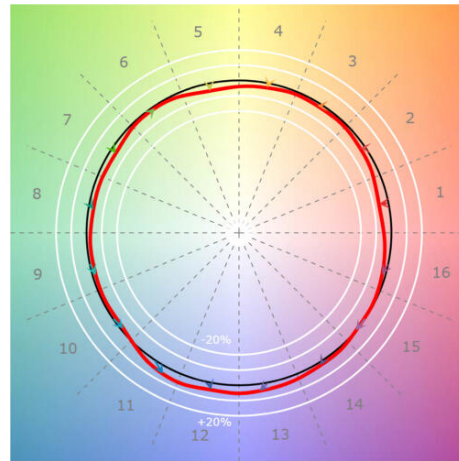
<b>CRI(Ra)</b>	94
<b>CRI(R9)</b>	75
<b>TM30(Rf)</b>	93
<b>TM30(Rg)</b>	102
<b>Duv</b>	-0.0001

**CCT 3500K**



<b>CRI(Ra)</b>	94
<b>CRI(R9)</b>	53
<b>TM30(Rf)</b>	91
<b>TM30(Rg)</b>	98
<b>Duv</b>	0.0009

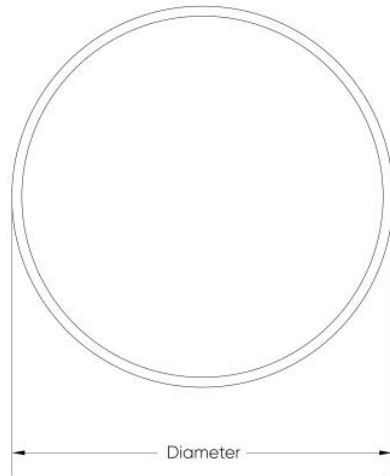
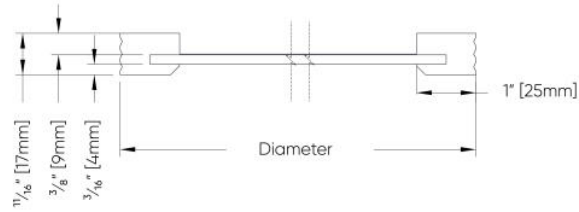
**CCT 4000K**



<b>CRI(Ra)</b>	92
<b>CRI(R9)</b>	50
<b>TM30(Rf)</b>	89
<b>TM30(Rg)</b>	97
<b>Duv</b>	0.0011

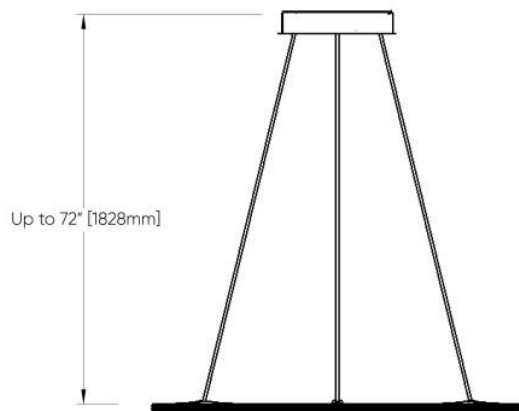
9 DIMENSIONAL DIAGRAMS

CROSS SECTION



Diameter	Minimum Suspension Height
3' [914mm]	15" [381mm]
4' [1219mm]	20" [508mm]

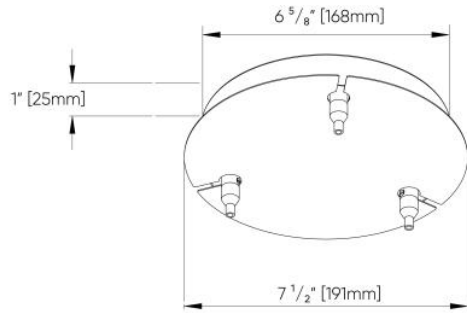
Distance to ceiling  
Hub Mount



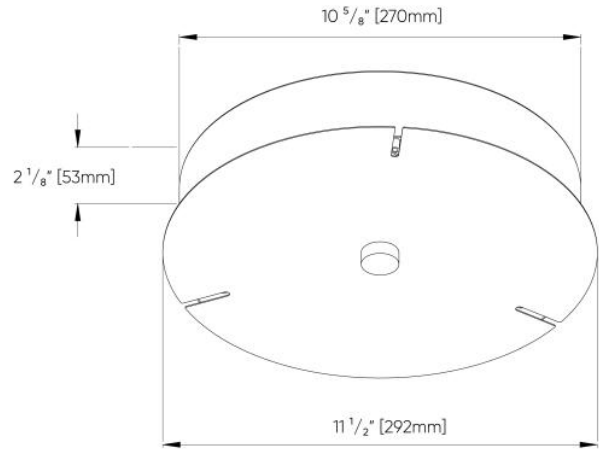
Distance to ceiling  
Vertical Mount



POS, Hub, Remote driver (SS7)



POS, Hub, Driver Integral to Canopy (SS9)



POS, Vertical, Remote driver (SS6)

