

Project Name:

Fixture Type:

Fixture Code:

Quantities:

A. LUMINAIRE TYPE

RNDP Pendant

B. ILLUMINATED OR NON-ILLUMINATED

LTD1 Illuminated

LTD2 Non-Illuminated

C. DIAMETER

SL03 3ft, 9000 lms

SL04 4ft, 12000 lms

D. DISTRIBUTION

DR0 Not required

DR1 Direct 100%

DR2 Direct 48% / Indirect 52%

E. LUMENS

LMA0000 Not required

LMA0170 1700 lms

LMA0230 2300 lms

LMA0300 3000 lms

LMA0340 3400 lms

LMA0460 4600 lms

LMA0520 5200 lms

LMA0610 6100 lms

LMA0690 6900 lms

LMA0900 9000 lms

LMA0920 9200 lms

LMA1205 12050 lms

F. CRI

CR00 Not required

CR90 CRI 90+

G. CCT

CTA00 Not required

CTA27 2700K

CTA30 3000K

CTA35 3500K

CTA40 4000K

H. VOLTAGE

V0 Not required

V1 120/277V

V2 240V¹

V3 347V²

V4 Low Voltage³

¹ V2 not available in North America.

² V3 available with DA01 dimming only.

³ V4 available with DA45 dimming only.

I. DIMMING (REMOTE)

DA00 Not required

DA01 0-10V Dimming 1.0%

DA02 0-10V Dimming 0.1%¹

DA20 DALI Dimming 0.1%¹

DA21 DALI Dimming 1.0%¹

DA30 DSI/switchDim^{1 2}

DA45 PoE³

¹ Not available with V3 or V4.

² DA30 not available in North America

³ DA45 used V4 only.

RING DISC™

J. SUSPENSION

SS1 Vertical, Aircraft Cable ²

SS2 Hub, Aircraft Cable ²

SS6 POS, Vertical, Remote driver ³

SS7 POS, Hub, Remote driver ^{1 3}

SS9 POS, Hub, Driver Integral to Canopy
^{1 3 4}

¹ The minimum suspension height relative to diameter is as follows: 3ft = 18", 4ft = 24".

² Available with Pendant - Non Illuminated only.

³ Available with Pendant - Illuminated only.

⁴ Available with V1 (120V) only.

K. FIXTURE FINISH

FA01 White

FA02 Black Metallic - Textured

FA20 Silver Metallic - Textured

FA25 Gold Metallic - Textured

FA44 Midnight Blue Metallic - Textured

FA45 Copper Metallic

FA46 Charcoal Metallic - Textured

FA47 Bronze Metallic - Textured

FA52 Champagne Metallic

FA53 Red Metallic - Textured

L. CANOPY FINISH

CF00 Not required

CF01 White

CF02 Black Metallic - Textured

CF20 Silver Metallic - Textured

CF25 Gold Metallic - Textured

CF44 Midnight Blue Metallic - Textured

CF45 Copper Metallic

CF46 Charcoal Metallic - Textured

CF47 Bronze Metallic - Textured

CF52 Champagne Metallic

CF53 Red Metallic - Textured

M. ACOUSTIC PANEL COLOR

AP00 Not required

AP04 White ¹

AP13 Apple Green ¹

AP22 Blue ¹

AP11 Light Gray ¹

AP26 Sesame Gray ¹

AP27 Black ¹

¹ Only available with Pendant - Illuminated.

* Other finishes are available, consult factory.

N. EMERGENCY

E0 Not required

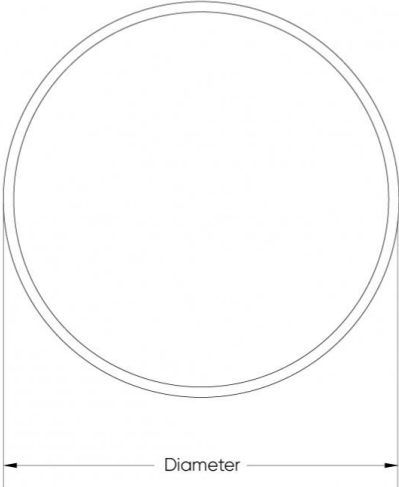
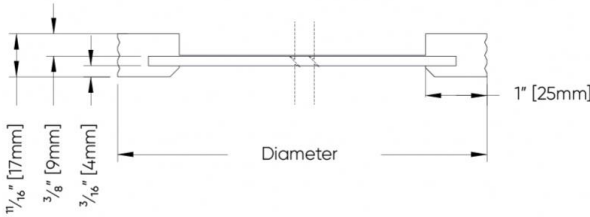
E2 Emergency system - Remote ¹

¹ Not available in Integral or with 347V. Consult factory.



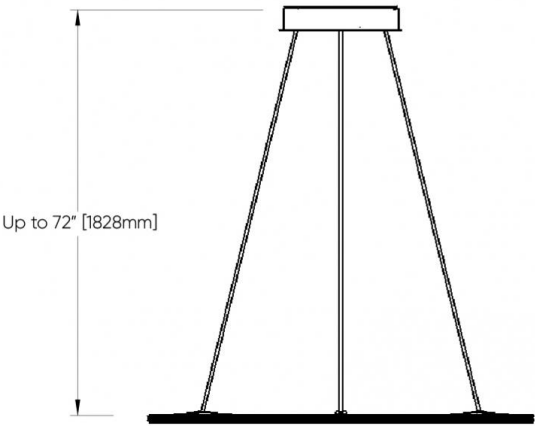
DIMENSIONAL DIAGRAMS

CROSS SECTION

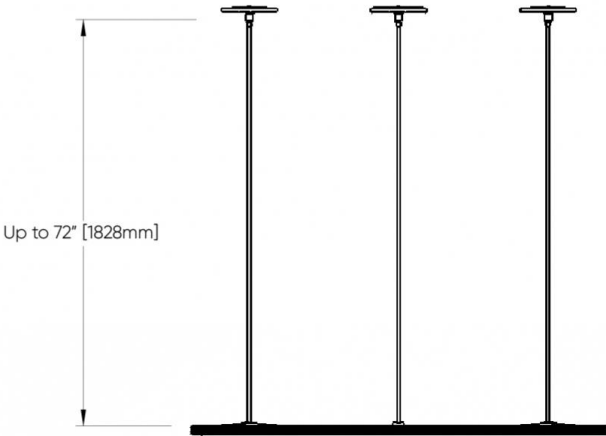


Diameter	Minimum Suspension Height
3' [914mm]	15" [381mm]
4' [1219mm]	20" [508mm]

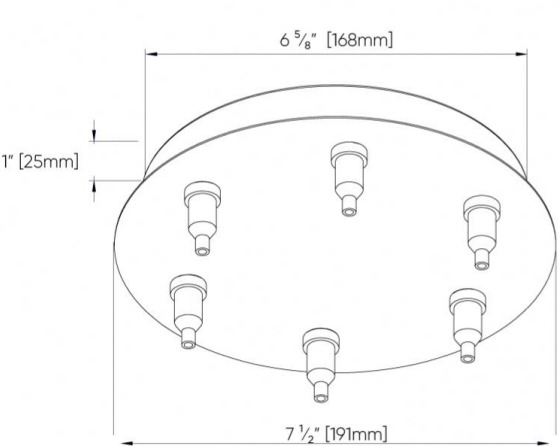
**Distance to ceiling
Hub Mount**



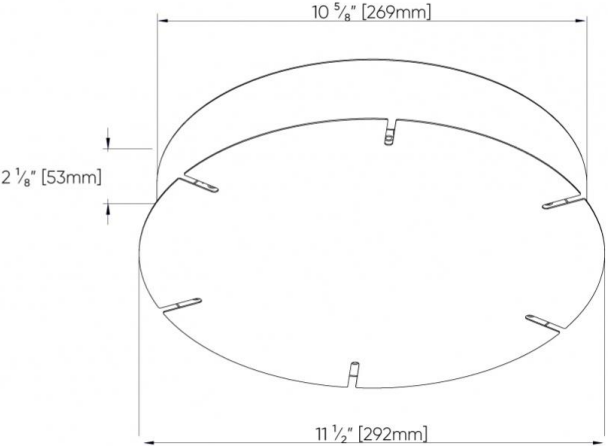
**Distance to ceiling
Vertical Mount**



Hub Remote POS (SS7)



Hub Integral POS (SS9)



Vertical Remote POS (SS6)

