

# RING™ - SUSPENDED

Project Name:

Fixture Type:

Fixture Code:

Quantities:



RING™ - SUSPENDED



Job Name: JT Patterson Labs Building at UT  
Specifier: Haddon+Cowan Architects/EEE Consulting  
Photographer: Brian Mihealsick, Austin Architectural Photography.

# RING™ - SUSPENDED

No shape evokes the feeling of harmony, community, and perfection as the circle. The closed curve of **RING** draws warmth from any space or brings a sense of movement, power, and energy, especially when clustered and cascaded into remarkable configurations. Diameters range from 2 to 18 feet with optional indirect light to add a halo effect.

RING is available in 12 finishes which were selected based on their versatility to a variety of color schemes. Metallic sheens balance out the functional forms with elegance. The wood finishes ground the space with a feeling of warmth.

For sound comfort, RING is available with an acoustic panel up to 8' and complementing non-illuminating panels. Acoustic panels are designed to absorb echo and reverberation associated with open-concept spaces, exposed concrete, open ceilings, and large windows.

## GENERAL SPECIFICATION

### Body and trim

Steel and aluminum.

### Power cable

Silver braided.

### Integral Emergency system

Emergency option provides a 1.5 hour (3 hours for EU) emergency lighting facility. The self-contained system includes the inverter module, NiCad batteries, LED charge indicator and test switch (NA only). Not available with a 347V supply.

### PoE

Ring can integrate into your data network via Power over Ethernet (PoE) connectivity.

### Suspension

Steel cables. Recommended minimum mounting heights: 305mm/12" for White LEDs and 610mm/24" for Colored LEDs (Only for Direct/Indirect). Maximum angle tilt 5°.

### Delivered Lumens

Delivered lumens & LPW based on 4000K (min 80 CRI) for White LEDs only.

### L70 @25°C (77°F)

> 50,000 hrs.

### Finish

Powder coated.

### Diffusers

Opal polycarbonate direct/Clear polycarbonate indirect, supplied in sections.

### Drivers

Integral, HPF electronic drivers for 120-277V (EU-240V). The driver is integral to the fixture housing.

### Mechanical

Luminaires mount directly over J box (by others - North America only).

### Drivers: RGBW

Integral HPF electronic drivers/DMX interfaces for 120-277V (EU-240V). Luminaires require a DMX controller by others.

### Sensors

Consult factory regarding sensor compatibility.

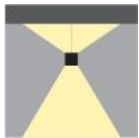
### Approvals

Damp Rated.

## MOUNTING & OPTICS



Suspended Direct



Suspended Direct/Indirect



RGBW



Declare



PoE



# RING™ - SUSPENDED

## HOW TO ORDER

### A. LUMINAIRE

<b>RNGP1P02</b> 2ft, Direct, 6000 lms Direct	<b>RNGP1P03</b> 3ft, Direct, 10000 lms Direct	<b>RNGP1P04</b> 4ft, Direct, 14000 lms Direct	<b>RNGP1P05</b> 5ft, Direct, 18000 lms Direct
<b>RNGP1P06</b> 6ft, Direct, 21000 lms Direct	<b>RNGP1P07</b> 7ft, Direct, 26000 lms Direct	<b>RNGP1P08</b> 8ft, Direct, 26000 lms Direct	<b>RNGP1P09</b> 9ft, Direct, 32000 lms Direct
<b>RNGP1P12</b> 12ft, Direct, 42000 lms Direct	<b>RNGP1P18</b> 18ft, Direct, 67000 lms Direct	<b>RNGP2P02</b> 2ft, Direct/Indirect, 6000 lms Direct, 3000 lms Indirect	<b>RNGP2P03</b> 3ft, Direct/Indirect, 10000 lms Direct, 5000 lms Indirect
<b>RNGP2P04</b> 4ft, Direct/Indirect, 14000 lms Direct, 5000 lms Indirect	<b>RNGP2P05</b> 5ft, Direct/Indirect, 18000 lms Direct, 9000 lms Indirect	<b>RNGP2P06</b> 6ft, Direct/Indirect, 21000 lms Direct, 9000 lms Indirect	<b>RNGP2P07</b> 7ft, Direct/Indirect, 26000 lms Direct, 14000 lms Indirect
<b>RNGP2P08</b> 8ft, Direct/Indirect, 26000 lms Direct, 15000 lms Indirect	<b>RNGP2P09</b> 9ft, Direct/Indirect, 32000 lms Direct, 16000 lms Indirect	<b>RNGP2P12</b> 12ft, Direct/Indirect, 42000 lms Direct, 21000 lms Indirect	<b>RNGP2P18</b> 18ft, Direct/Indirect, 67000 lms Direct, 38000 lms Indirect

All data shown is based on white LEDs only. See Performance Data page for all information including RGBW.  
RNGP2P18 must be ordered with CS2 (dual circuits) option will be c/w 2 power cords and 1 canopy.  
Recommended minimum suspension length: 12" (305mm) for white LEDs and 24" (610mm) for RGBW.

### B. LM/FT (DIRECT)

<b>LPF055</b> 550 lm/ft <sup>1</sup>	<b>LPF082</b> 825 lm/ft <sup>2</sup>	<b>LPF110</b> 1100 lm/ft <sup>3</sup>
--------------------------------------	--------------------------------------	---------------------------------------

<sup>1</sup> Based on 50% of total output.

<sup>2</sup> Based on 75% of total output.

<sup>3</sup> 100% of total output.

Total lumens = lumens/ft x diameter x 3.14159

### C. LM/FT (INDIRECT)

<b>LPG000</b> Not required	<b>LPG027</b> 275 lm/ft <sup>1</sup>	<b>LPG041</b> 410 lm/ft <sup>2</sup>	<b>LPG055</b> 550 lm/ft <sup>3</sup>
----------------------------	--------------------------------------	--------------------------------------	--------------------------------------

<sup>1</sup> Based on 50% of total output.

<sup>2</sup> Based on 75% of total output.

<sup>3</sup> 100% of total output.

### D. CRI

**CR80** CRI 80+

### E. CCT (DIRECT)

<b>CTA30</b> 3000K	<b>CTA35</b> 3500K	<b>CTA40</b> 4000K	<b>CTA50</b> RGBW
--------------------	--------------------	--------------------	-------------------

### F. CCT (INDIRECT)

<b>CTB00</b> Not required	<b>CTB30</b> 3000K	<b>CTB35</b> 3500K	<b>CTB40</b> 4000K
<b>CTB50</b> RGBW			

### G. UPLIGHT DIFFUSER

<b>UD0</b> Not required	<b>UD1</b> Clear diffuser	<b>UD2</b> Opal diffuser <sup>1</sup>
-------------------------	---------------------------	---------------------------------------

<sup>1</sup> 10% reduction on indirect lumens.

### H. VOLTAGE

<b>V1</b> 120/277V	<b>V2</b> 240V <sup>1</sup>	<b>V3</b> 347V <sup>2</sup>	<b>V4</b> Low Voltage <sup>3</sup>
--------------------	-----------------------------	-----------------------------	------------------------------------

<sup>1</sup> V2 not available in North America.

<sup>2</sup> V3 available with DA01 & DB01 dimming only.

<sup>3</sup> V4 available with DA45 & DB45 dimming only.



# RING™ - SUSPENDED

## I. DIMMING (DIRECT)

<b>DA01</b> 0-10V Dimming 1.0%	<b>DA02</b> 0-10V Dimming 0.1% <sup>1</sup>	<b>DA20</b> DALI Dimming 0.1% <sup>1</sup>	<b>DA21</b> DALI Dimming 1.0% <sup>1</sup>
<b>DA30</b> DSI/switchDim <sup>1 2</sup>	<b>DA40</b> DMX Dimming <sup>1</sup>	<b>DA45</b> PoE <sup>3</sup>	

<sup>1</sup> Not available with V3 or V4.

<sup>2</sup> DA30 not available in North America

<sup>3</sup> DA45 used V4 only.

## J. DIMMING (INDIRECT)

<b>DB00</b> Not required	<b>DB01</b> 0-10V Dimming 1.0%	<b>DB02</b> 0-10V Dimming 0.1% <sup>1</sup>	<b>DB20</b> DALI Dimming 0.1% <sup>1</sup>
<b>DB21</b> DALI Dimming 1.0% <sup>1</sup>	<b>DB30</b> DSI/switchDim <sup>1</sup>	<b>DB40</b> DMX Dimming <sup>1</sup>	<b>DB45</b> PoE <sup>1 3</sup>

<sup>1</sup> Not available with V3.

<sup>2</sup> DB30 not available in North America.

<sup>3</sup> DB45 used with DA45 and V4 only.

## K. SUSPENSION

<b>SS1</b> Vertical, Integral driver	<b>SS2</b> Hub, Integral driver <sup>1</sup>
--------------------------------------	--

<sup>1</sup> SS2 not available for diameters of 144" (3657mm) or larger.

## L. FIXTURE FINISH

<b>FA01</b> White	<b>FA02</b> Black Metallic - Textured	<b>FA20</b> Silver Metallic - Textured	<b>FA25</b> Gold Metallic - Textured
<b>FA27</b> Wood grain - Light Cherry	<b>FA28</b> Wood grain - Dark Walnut	<b>FA44</b> Midnight Blue Metallic - Textured	<b>FA45</b> Copper Metallic
<b>FA46</b> Charcoal Metallic - Textured	<b>FA47</b> Bronze Metallic - Textured	<b>FA52</b> Champagne Metallic	<b>FA53</b> Red Metallic - Textured

<sup>1</sup> Longer than normal lead times may apply, consult factory.

## M. CANOPY FINISH

<b>CF01</b> White	<b>CF02</b> Black Metallic - Textured	<b>CF20</b> Silver Metallic - Textured	<b>CF25</b> Gold Metallic - Textured
<b>CF44</b> Midnight Blue Metallic - Textured	<b>CF45</b> Copper Metallic	<b>CF46</b> Charcoal Metallic - Textured	<b>CF47</b> Bronze Metallic - Textured
<b>CF52</b> Champagne Metallic	<b>CF53</b> Red Metallic - Textured		

## N. ACOUSTIC PANEL FINISH

<b>AP00</b> Not required	<b>AP04</b> White	<b>AP13</b> Apple Green	<b>AP22</b> Blue
<b>AP11</b> Light Gray	<b>AP26</b> Sesame Gray	<b>AP27</b> Black	

Acoustic panels are not available for sizes of 108" and larger.

For accompanying non-illuminating acoustic panels see our Acoustic Circles, Quads, Triangles and Ellipse spec pages.

Other finishes available. Consult factory.

## O. EMERGENCY

<b>E0</b> Not required	<b>E1</b> Emergency system - Integral <sup>1</sup>	<b>E2</b> Emergency system - Remote <sup>1</sup>
------------------------	--	--

<sup>1</sup> Direct illumination only, not available with 347V.

<sup>2</sup> Not available with 347V.

# RING™ - SUSPENDED

## P. CIRCUITS

**CS1** Single circuit

**CS2** Dual circuit <sup>1 2</sup>

---

<sup>1</sup> RNGP2P18 will be c/w 2 power cords and 1 canopy.

<sup>2</sup> When ordering with Remote emergency (E2), fixture will be c/w 2 power cords.

## Q. CONTROLS

**CO** Not required

**C1** Encelium/Zigbee control



# RING™ - SUSPENDED

## TECHNICAL DATA

# RING™ - SUSPENDED

## LUMINAIRE

All data shown is based on white LEDs only. See Performance Data page for all information including RGBW.

RNGP2P18 must be ordered with CS2 (dual circuits) option will be c/w 2 power cords and 1 canopy.

Recommended minimum suspension length: 12" (305mm) for white LEDs and 24" (610mm) for RGBW.

<b>Code</b>	<b>RNGP1P02</b>	<b>RNGP1P03</b>	<b>RNGP1P04</b>	<b>RNGP1P05</b>	<b>RNGP1P06</b>	<b>RNGP1P07</b>
<b>Dia. (A)</b>	2ft	3ft	4ft	5ft	6ft	7ft
<b>Light Direction</b>	Direct	Direct	Direct	Direct	Direct	Direct
<b>Wattage</b>	65W	101W	138W	180W	216W	260W
<b>Direct lms</b>	6000	10000	14000	18000	21000	26000
<b>Indirect lms</b>						
<b>Down/Up Ratio</b>	100/0	100/0	100/0	100/0	100/0	100/0
<b>LPW</b>	100	100	99	99	99	100
<b>Height (B)</b>	6"	6"	7"	13"	17"	21"
<b># of Sections</b>	1	1	1	1	1	1
<b>Suspension Points</b>	3	3	3	3	3	6
<b>Weight</b>	18lb	26lb	35lb	42lb	52lb	60lb
<b>Code</b>	<b>RNGP1P08</b>	<b>RNGP1P09</b>	<b>RNGP1P12</b>	<b>RNGP1P18</b>	<b>RNGP2P02</b>	<b>RNGP2P03</b>
<b>Dia. (A)</b>	8ft	9ft	12ft	18ft	2ft	3ft
<b>Light Direction</b>	Direct	Direct	Direct	Direct	Direct/Indirect	Direct/Indirect
<b>Wattage</b>	281W	325W	432W	692W	87W	144W
<b>Direct lms</b>	26000	32000	42000	67000	6000	10000
<b>Indirect lms</b>					3000	5000
<b>Down/Up Ratio</b>	100/0	100/0	100/0	100/0	70/30	65/35
<b>LPW</b>	96	98	96	98	106	107
<b>Height (B)</b>	30"	35"			6"	6"
<b># of Sections</b>	3	3	4	6	1	1
<b>Suspension Points</b>	6	6	8	12	3	3
<b>Weight</b>	69lb	75lb	102lb	152lb	18lb	26lb
<b>Code</b>	<b>RNGP2P04</b>	<b>RNGP2P05</b>	<b>RNGP2P06</b>	<b>RNGP2P07</b>	<b>RNGP2P08</b>	<b>RNGP2P09</b>
<b>Dia. (A)</b>	4ft	5ft	6ft	7ft	8ft	9ft
<b>Light Direction</b>	Direct/Indirect	Direct/Indirect	Direct/Indirect	Direct/Indirect	Direct/Indirect	Direct/Indirect
<b>Wattage</b>	180W	252W	302W	375W	368W	454W
<b>Direct lms</b>	14000	18000	21000	26000	26000	32000
<b>Indirect lms</b>	5000	9000	9000	14000	15000	16000
<b>Down/Up Ratio</b>	70/30	65/35	70/30	65/35	65/35	65/35
<b>LPW</b>	105	107	106	107	106	106
<b>Height (B)</b>	7"	13"	17"	21"	30"	30"
<b># of Sections</b>	1	1	1	1	3	3
<b>Suspension Points</b>	3	3	3	6	6	6
<b>Weight</b>	35lb	42lb	52lb	60lb	69lb	75lb
<b>Code</b>	<b>RNGP2P12</b>	<b>RNGP2P18</b>				
<b>Dia. (A)</b>	12ft	18ft				
<b>Light Direction</b>	Direct/Indirect	Direct/Indirect				
<b>Wattage</b>	605W	995W				

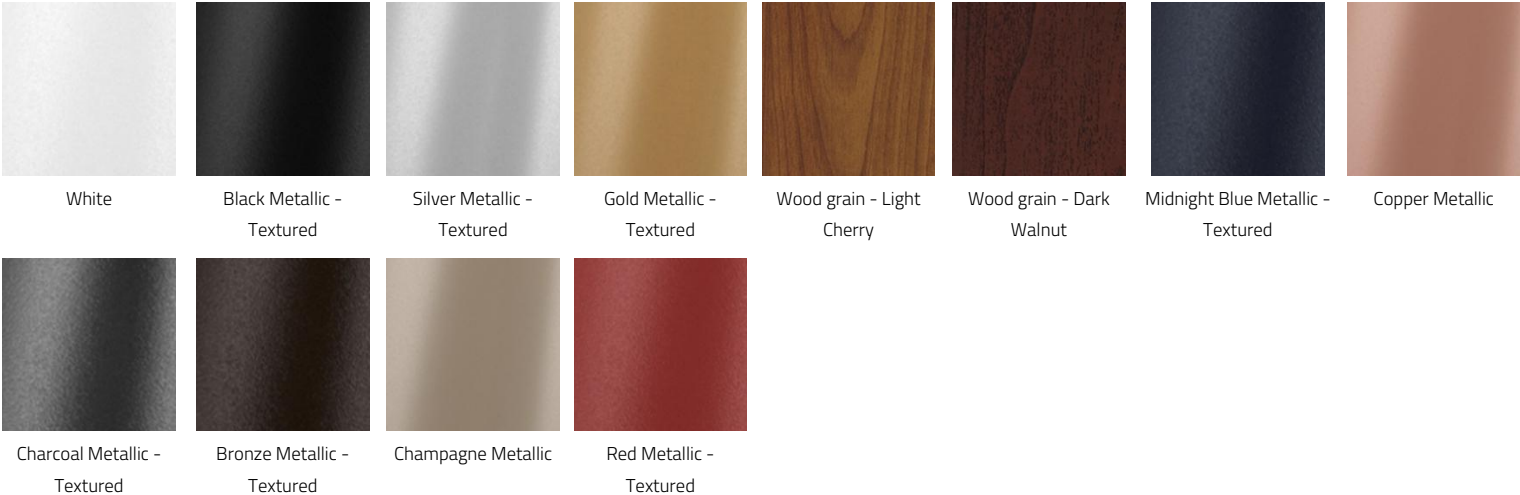




# RING™ - SUSPENDED

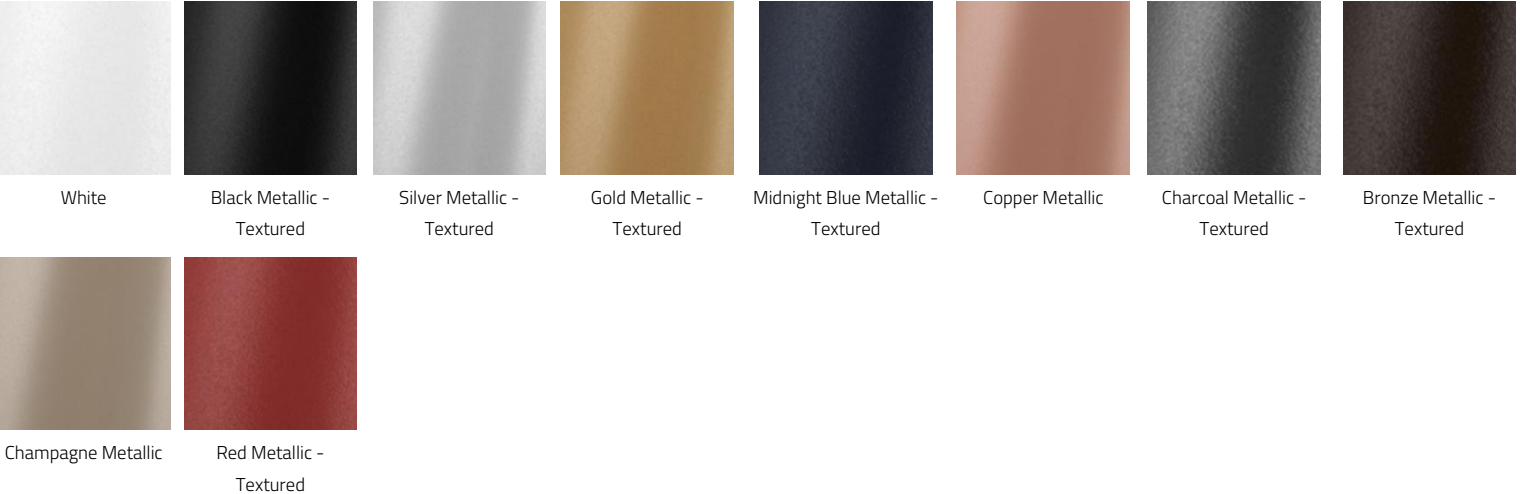
Code	RNGP2P12	RNGP2P18
Direct lms	42000	67000
Indirect lms	21000	38000
Down/Up Ratio	65/35	65/35
LPW	104	106
Height (B)		
# of Sections	4	6
Suspension Points	8	12
Weight	102lb	152lb

## FIXTURE FINISH



<sup>1</sup> Longer than normal lead times may apply, consult factory.

## CANOPY FINISH



# RING™ - SUSPENDED

## ACOUSTIC PANEL FINISH

Not required



White



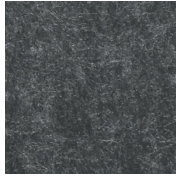
Apple Green



Blue



Light Gray



Sesame Gray



Black

Acoustic panels are not available for sizes of 108" and larger.

For accompanying non-illuminating acoustic panels see our Acoustic Circles, Quads, Triangles and Ellipse spec pages.

Other finishes available. Consult factory.

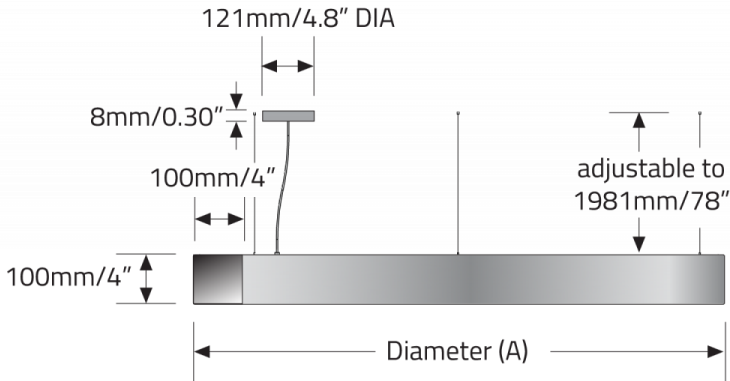
## APPROVALS



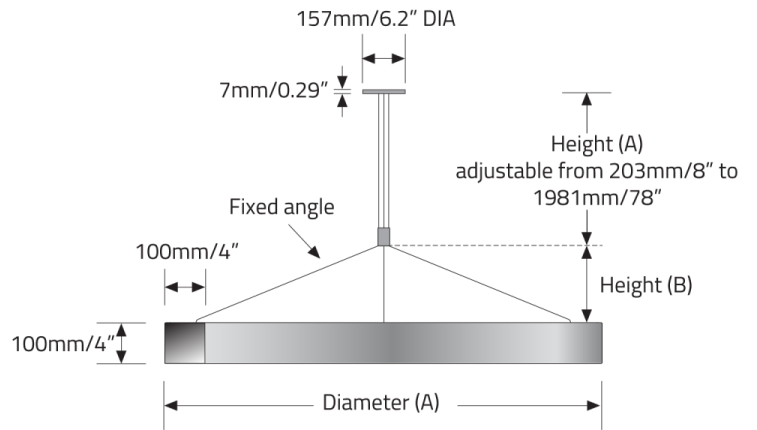
# RING™ - SUSPENDED

## DIMENSIONAL DIAGRAMS

Vertical, Integral Driver (SS1)



Hub, Integral Driver (SS2)



**Direct:** Not available with 3657mm/144" DIA or larger.

**Direct/Indirect:** Not available with 3657mm/144" DIA or larger.

RGBW / DMX canopy

