

RING™ - SUSPENDED



Project Name:

Fixture Type:

Fixture Code:

Quantities:

A. LUMINAIRE

RNGP1P02 2ft, Direct, 6000 lms Direct	RNGP1P03 3ft, Direct, 10000 lms Direct	RNGP1P04 4ft, Direct, 14000 lms Direct	RNGP1P05 5ft, Direct, 18000 lms Direct
RNGP1P06 6ft, Direct, 21000 lms Direct	RNGP1P07 7ft, Direct, 26000 lms Direct	RNGP1P08 8ft, Direct, 26000 lms Direct	RNGP1P09 9ft, Direct, 32000 lms Direct
RNGP1P12 12ft, Direct, 42000 lms Direct	RNGP1P18 18ft, Direct, 67000 lms Direct	RNGP2P02 2ft, Direct/Indirect, 6000 lms Direct, 3000 lms Indirect	RNGP2P03 3ft, Direct/Indirect, 10000 lms Direct, 5000 lms Indirect
RNGP2P04 4ft, Direct/Indirect, 14000 lms Direct, 5000 lms Indirect	RNGP2P05 5ft, Direct/Indirect, 18000 lms Direct, 9000 lms Indirect	RNGP2P06 6ft, Direct/Indirect, 21000 lms Direct, 9000 lms Indirect	RNGP2P07 7ft, Direct/Indirect, 26000 lms Direct, 14000 lms Indirect
RNGP2P08 8ft, Direct/Indirect, 26000 lms Direct, 15000 lms Indirect	RNGP2P09 9ft, Direct/Indirect, 32000 lms Direct, 16000 lms Indirect	RNGP2P12 12ft, Direct/Indirect, 42000 lms Direct, 21000 lms Indirect	RNGP2P18 18ft, Direct/Indirect, 67000 lms Direct, 38000 lms Indirect

All data shown is based on white LEDs only. See Performance Data page for all information including RGBW. RNGP2P18 must be ordered with CS2 (dual circuits) option will be c/w 2 power cords and 1 canopy. Recommended minimum suspension length: 12" (305mm) for white LEDs and 24" (610mm) for RGBW.

B. LM/FT (DIRECT)

LPF055 550 lm/ft ¹	LPF082 825 lm/ft ²	LPF110 1100 lm/ft ³
--------------------------------------	--------------------------------------	---------------------------------------

¹ Based on 50% of total output.

² Based on 75% of total output.

³ 100% of total output.

Total lumens = lumens/ft x diameter x 3.14159

C. LM/FT (INDIRECT)

LPG000 Not required	LPG027 275 lm/ft ¹	LPG041 410 lm/ft ²	LPG055 550 lm/ft ³
----------------------------	--------------------------------------	--------------------------------------	--------------------------------------

¹ Based on 50% of total output.

² Based on 75% of total output.

³ 100% of total output.

D. CRI

CR80 CRI 80+

E. CCT (DIRECT)

CTA30 3000K	CTA35 3500K	CTA40 4000K	CTA50 RGBW
--------------------	--------------------	--------------------	-------------------

F. CCT (INDIRECT)

CTB00 Not required	CTB30 3000K	CTB35 3500K	CTB40 4000K
CTB50 RGBW			

G. UPLIGHT DIFFUSER

UD0 Not required	UD1 Clear diffuser	UD2 Opal diffuser ¹
-------------------------	---------------------------	---------------------------------------

¹ 10% reduction on indirect lumens.

RING™ - SUSPENDED

H. VOLTAGE

V1 120/277V

V2 240V¹

V3 347V²

V4 Low Voltage³

¹ V2 not available in North America.

² V3 available with DA01 & DB01 dimming only.

³ V4 available with DA45 & DB45 dimming only.

I. DIMMING (DIRECT)

DA01 0-10V Dimming 1.0%

DA02 0-10V Dimming 0.1%¹

DA20 DALI Dimming 0.1%¹

DA21 DALI Dimming 1.0%¹

DA30 DSI/switchDim^{1 2}

DA40 DMX Dimming¹

DA45 PoE³

¹ Not available with V3 or V4.

² DA30 not available in North America

³ DA45 used V4 only.

J. DIMMING (INDIRECT)

DB00 Not required

DB01 0-10V Dimming 1.0%

DB02 0-10V Dimming 0.1%¹

DB20 DALI Dimming 0.1%¹

DB21 DALI Dimming 1.0%¹

DB30 DSI/switchDim¹

DB40 DMX Dimming¹

DB45 PoE^{1 3}

¹ Not available with V3.

² DB30 not available in North America.

³ DB45 used with DA45 and V4 only.

K. SUSPENSION

SS1 Vertical, Integral driver

SS2 Hub, Integral driver¹

¹ SS2 not available for diameters of 144" (3657mm) or larger.

L. FIXTURE FINISH

FA01 White

FA02 Black Metallic - Textured

FA20 Silver Metallic - Textured

FA25 Gold Metallic - Textured

FA27 Wood grain - Light Cherry

FA28 Wood grain - Dark Walnut

FA44 Midnight Blue Metallic - Textured

FA45 Copper Metallic

FA46 Charcoal Metallic - Textured

FA47 Bronze Metallic - Textured

FA52 Champagne Metallic

FA53 Red Metallic - Textured

¹ Longer than normal lead times may apply, consult factory.

M. CANOPY FINISH

CF01 White

CF02 Black Metallic - Textured

CF20 Silver Metallic - Textured

CF25 Gold Metallic - Textured

CF44 Midnight Blue Metallic - Textured

CF45 Copper Metallic

CF46 Charcoal Metallic - Textured

CF47 Bronze Metallic - Textured

CF52 Champagne Metallic

CF53 Red Metallic - Textured

N. ACOUSTIC PANEL FINISH

AP00 Not required

AP04 White

AP13 Apple Green

AP22 Blue

AP11 Light Gray

AP26 Sesame Gray

AP27 Black

Acoustic panels are not available for sizes of 108" and larger.

For accompanying non-illuminating acoustic panels see our Acoustic Circles, Quads, Triangles and Ellipse spec pages.

Other finishes available. Consult factory.



RING™ - SUSPENDED

O. EMERGENCY

EO Not required

E1 Emergency system - Integral ¹

E2 Emergency system - Remote ¹

¹ Direct illumination only, not available with 347V.

² Not available with 347V.

P. CIRCUITS

CS1 Single circuit

CS2 Dual circuit ^{1 2}

¹ RNGP2P18 will be c/w 2 power cords and 1 canopy.

² When ordering with Remote emergency (E2), fixture will be c/w 2 power cords.

Q. CONTROLS

CO Not required

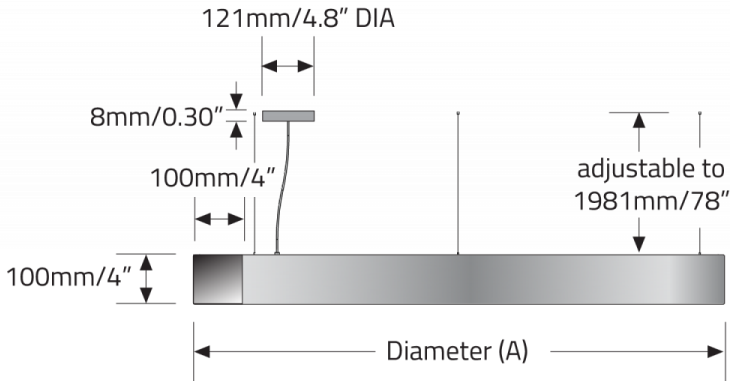
C1 Encelium/Zigbee control



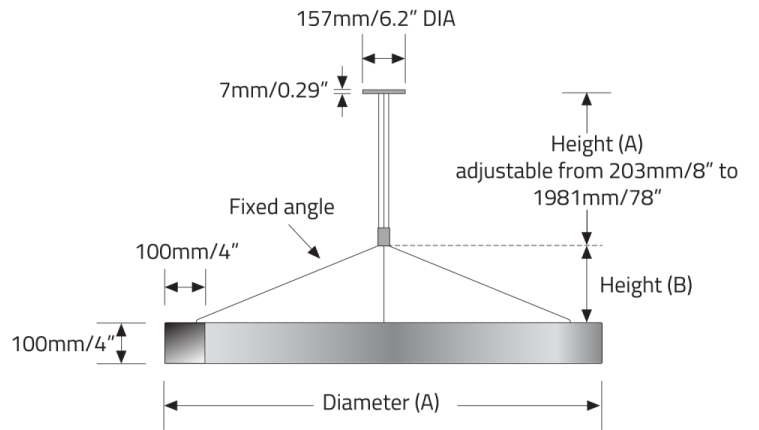
RING™ - SUSPENDED

DIMENSIONAL DIAGRAMS

Vertical, Integral Driver (SS1)



Hub, Integral Driver (SS2)



Direct: Not available with 3657mm/144" DIA or larger.

Direct/Indirect: Not available with 3657mm/144" DIA or larger.

RGBW / DMX canopy

