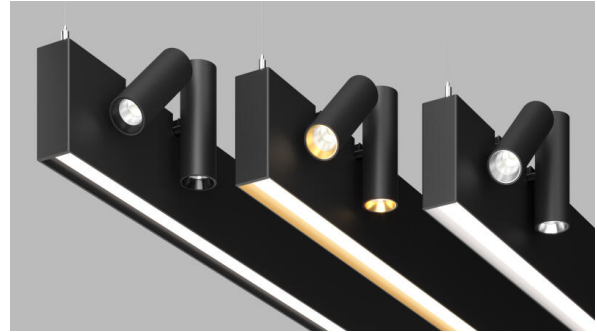




RODEO™

SHORT SPECIFICATION SHEET



Fixture Type

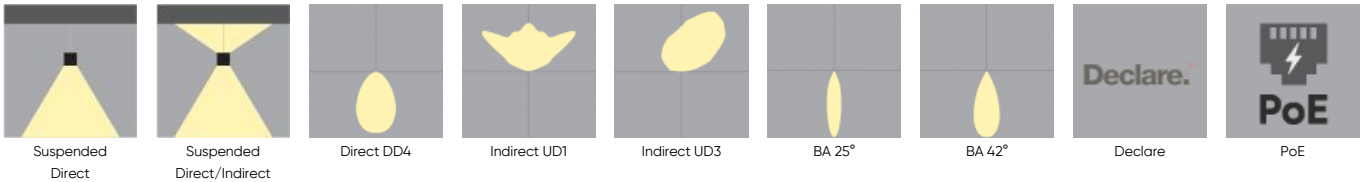
Fixture Code

Quantities

1 DESCRIPTION

Rodeo's flexible spotlight design combined with a high-performance linear system creates a multifunctional luminaire that serves a variety of lighting needs. The modular system employs direct light, indirect light, and spotlights to deliver 3 layers of lighting. The innovative Rodeo Flip design expands the sphere of adjustability which allows Rodeo to adapt to various space layouts. Combined with regressed optics, the luster from anodized bezels and trims bring visual and aesthetic comfort.

2 MOUNTING & OPTICS



3 APPROVALS



4 GENERAL SPECIFICATION

BODY

Aluminum.

FINISH

Powder coated.

SUSPENSION

Steel cables.

POWER CABLE

Silver braided.

DRIVERS

HPF electronic drivers for 120–277V, 347 (EU–240V). The driver is integral to the fixture housing.

POE

Can be integrated into your data network via Power over Ethernet (PoE) connectivity.

REMOTE EMERGENCY SYSTEM

Emergency option provides a 1.5 hour (3hours for EU) emergency lighting facility. The remote system includes the inverter module, NiCad batteries and a remote wall/ceiling LED charge indicator and test switch. Maximum distance between wall/ceiling plate and luminaire is 15' (4.5m). Test switch fits a single gang box (not supplied).

REPORTED L70 @25°C (77°F)

> 55,000 hrs @ 2000 lumens/ft (6000 lumens/m)

DELIVERED LUMENS

Delivered lumens & LPW based on 4000K CRI 90+

DESIGNED BY

Serge Cornelissen

DIFFUSER

Opal acrylic.

MECHANICAL

Luminaires mount directly over J box (by others).

SENSORS

Compatible with Avi-On, Casambi, Enlighted, Lutron Vive, nLight, NX Lighting Controls, Osram, Philips, and others. Consult factory.

ESTIMATED L70 @25°C (77°F)

> 165,000 hrs @ 2000 lumens/ft (6000 lumens/m)

APPROVALS

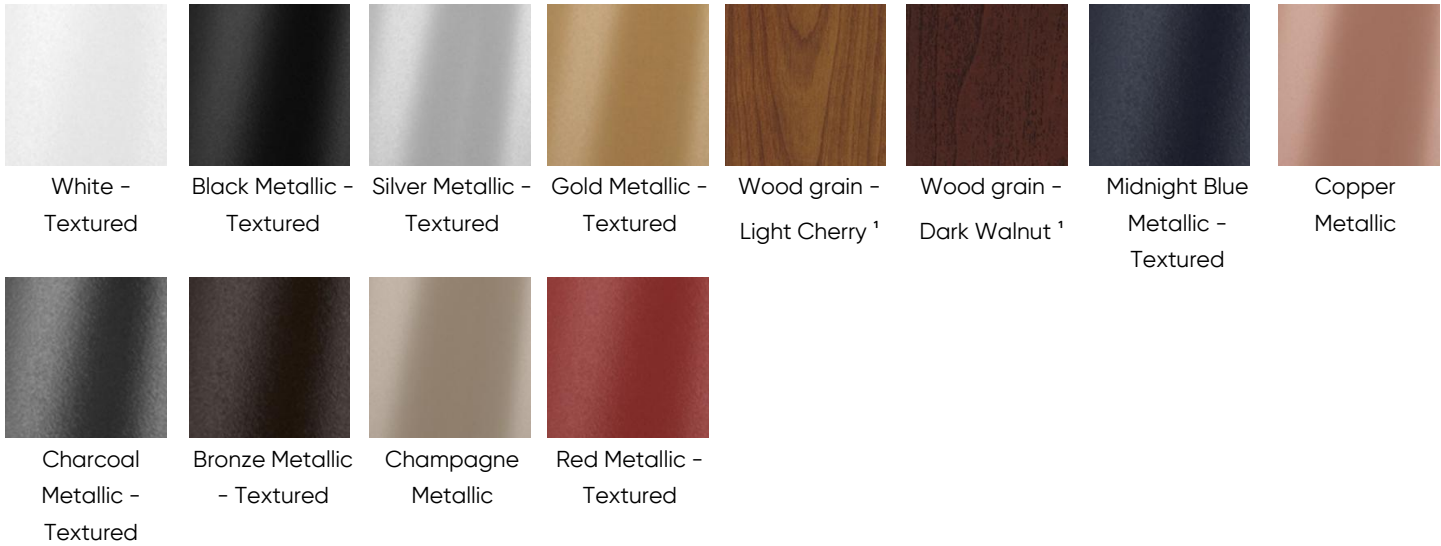
Damp Rated.

DESIGN

US Design Patent Pending.

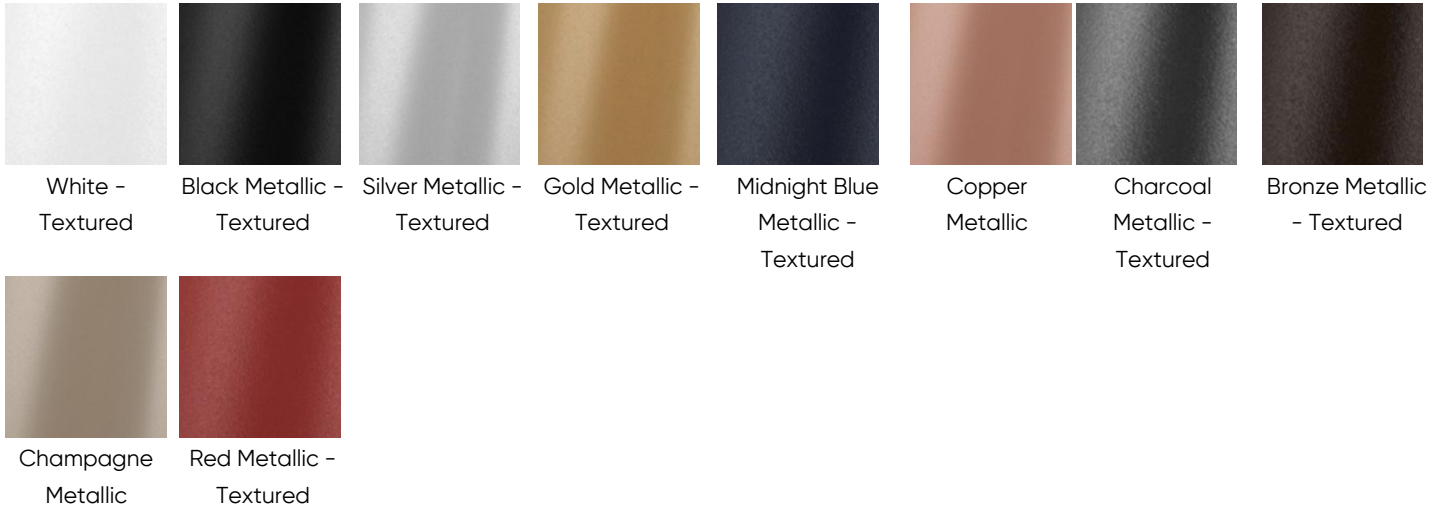
5 DESIGN OPTIONS

FIXTURE FINISH



Spotlights will be the same finish as the fixtures.
¹ Longer than normal lead times may apply, consult factory.

CANOPY FINISH



FIXTURE TRIM FINISH



White Black Anodized Silver Anodized Gold Anodized

SPOTLIGHT BEZEL FINISH



Not required Black Anodized Silver Anodized Gold Anodized

6 HOW TO ORDER

A. LUMINAIRE

RDEP1P Direct **RDEP2P** Direct/Indirect

One power cord for every 48ft. If the continuous run is over 24ft, direct/indirect, and spotlights are required in conjunction, consult factory for the number of power cords.

B. LENGTH PER SECTION

SL04 4ft **SL06** 6ft **SL08** 8ft **SL10** 10ft
SL12 12ft

SL04 is available with 2 spots (HS2 or HE2) if ordering direct only, if ordering direct/indirect, then no spots are available.
SL06 & SL08 are available with 4 spots (HS2 & HE2) if ordering direct only, if ordering direct/indirect then only 2 spots (HS2 or HE2) are available.
SL10 & SL12 have no restrictions.

C. SECTION TYPE

SLS1 Standalone ¹ **SLS2** Continuous run – Start ^{2 3} **SLS3** Continuous run – Middle ³ **SLS4** Continuous run – End ^{1 3}

¹ The power cable is at the end of the section.

² Two suspension points are in the start section.

³ For runs longer than 40ft consult factory as more than one power cable will be required.

* Please note that the spotlights are available at the beginning/end of each section, they are not available in the middle of a section.

D. SPOTLIGHTS AT START OF SECTION

HS0 Not required **HS2** 2 Heads

E. SPOTLIGHTS AT END OF SECTION

HE0 Not required **HE2** 2 Heads

F. BEAM ANGLE

BA00 Not required **BA25** 25° **BA42** 42°

G. LM/FT (DIRECT)

LPF030 300 lm/ft **LPF050** 500 lm/ft **LPF070** 700 lm/ft **LPF090** 900 lm/ft

Consult website for available lumens/ft.

H. LM/FT (INDIRECT)

LPG000 Not required **LPG030** 300 lm/ft **LPG050** 500 lm/ft **LPG070** 700 lm/ft
LPG090 900 lm/ft **LPG110** 1100 lm/ft **LPG135** 1350 lm/ft

¹ SL04 is available with spotlights for direct illumination only.

Consult website for available lumens/ft.

I. CRI

CR90 CRI 90+

J. CCT

CTA27 2700K **CTA30** 3000K **CTA35** 3500K **CTA40** 4000K

K. DIRECT DIFFUSER

DD4 Comfort diffuser

L. UPLIGHT DIFFUSER

UD0 Not required **UD1** Batwing **UD2** Opal diffuser ¹ **UD3** Asymmetric diffuser ²

¹ Available up to 1100 lm/ft.

² Available up to 900 lm/ft.

M. VOLTAGE

V1 120/277V **V2** 240V ¹ **V3** 347V ² **V4** Low Voltage ³

¹ Not available in North America or with Dual Circuit.

² Only available with DA01 dimming and when spotlights are not required.

³ Only available with DA45 dimming.

N. FIXTURE DIMMING

DA01 0-10V Dimming 1.0% **DA02** 0-10V Dimming 0.1% ¹ **DA20** DALI Dimming 0.1% ¹ **DA21** DALI Dimming 1.0% ¹
DA30 DSI/switchDim ² **DA45** PoE ³

¹ Not available with V3.

² Not available in North America.

³ Only available with V4.

O. SPOTLIGHT DIMMING

DB00 Not required **DB01** 0-10V Dimming 1.0%

P. CEILING TYPE

H1 Hard ceiling ² **G1** Grid ceiling ¹

The cost for the canopies, power cables, connections mechanisms and endcaps for the fixture has been added to these items.

¹ Combo kit provided includes installation to T-bar and through tile mount.

² Designed for drywall ceilings.

Q. SUSPENSION

HLA03 3ft cable suspension **HLA06** 6ft cable suspension **HLA09** 9ft cable suspension

R. FIXTURE FINISH

FA01 White - Textured	FA02 Black Metallic - Textured	FA20 Silver Metallic - Textured	FA25 Gold Metallic - Textured
FA27 Wood grain - Light Cherry ¹	FA28 Wood grain - Dark Walnut ¹	FA44 Midnight Blue Metallic - Textured	FA45 Copper Metallic
FA46 Charcoal Metallic - Textured	FA47 Bronze Metallic - Textured	FA52 Champagne Metallic	FA53 Red Metallic - Textured

Spotlights will be the same finish as the fixtures.

¹ Longer than normal lead times may apply, consult factory.

S. CANOPY FINISH

CF01 White - Textured	CF02 Black Metallic - Textured	CF20 Silver Metallic - Textured	CF25 Gold Metallic - Textured
CF44 Midnight Blue Metallic - Textured	CF45 Copper Metallic	CF46 Charcoal Metallic - Textured	CF47 Bronze Metallic - Textured
CF52 Champagne Metallic	CF53 Red Metallic - Textured		

T. FIXTURE TRIM FINISH

FC01 White	FC24 Black Anodized	FC58 Silver Anodized	FC59 Gold Anodized
-------------------	----------------------------	-----------------------------	---------------------------

U. SPOTLIGHT BEZEL FINISH

FD00 Not required	FD24 Black Anodized	FD58 Silver Anodized	FD59 Gold Anodized
--------------------------	----------------------------	-----------------------------	---------------------------

V. EMERGENCY

EO Not required	E2 Emergency system - Remote ¹	E3 Emergency generated circuit ²
------------------------	--	--

¹ An extra power cord will be supplied to each section of the fixture when ordering emergency.

² A drawing will be required at time of ordering to determine the required number and location of the emergency sections or generator circuits. Not available in 347V.

W. CIRCUITS

CS1 Single circuit

CS2 Dual circuit (Direct vs. Indirect) ¹

CS3 Dual Circuit (Direct vs. Spotlight/Indirect) ³

CS4 Dual Circuit (Indirect vs. Spotlight/Direct) ⁴

CS5 Dual circuit (Direct/Indirect vs. Spotlight) ⁵

¹ Use **CS1** when you require Direct, Indirect, and Spotlight on the same circuit.

² Use **CS2** when Spotlight is not required, and you want Direct and Indirect on a separate circuit.

³ Use **CS3** when Spotlight, Direct, and Indirect are all required, and you want Spotlight and Indirect on the same circuit and Direct on a separate circuit.

⁴ Use **CS4** when Spotlight, Direct, and Indirect are all required, and you want Spotlight and Direct on the same circuit and Indirect on a separate circuit.

⁵ Use **CS5** when Spotlight is required, and you want Spotlight on a separate circuit than the fixture (Direct and/or Indirect).

* Note: If spotlights are not needed in some sections but other sections in the configuration require spotlights to be on a separate circuit, select options CS3, CS4, or CS5 and not CS1 or CS2 for the sections without spotlights.

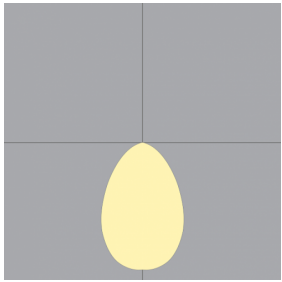
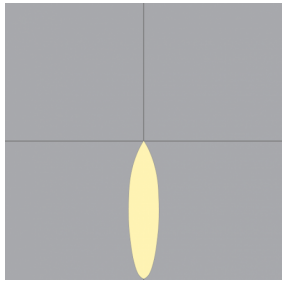
X. SENSORS

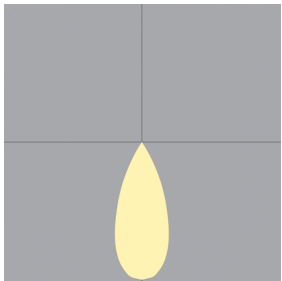
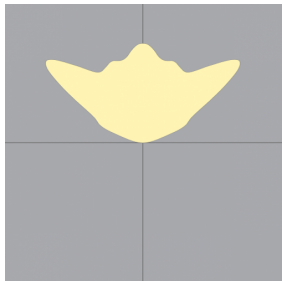
7 TECHNICAL DATA

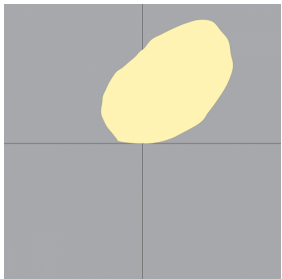
BEAM ANGLE

Code	BA00	BA25	BA42
Description	Not required	25°	42°
Delivered lms		620	655
Wattage		14W	14W
LPW		44	47

8 PERFORMANCE DATA

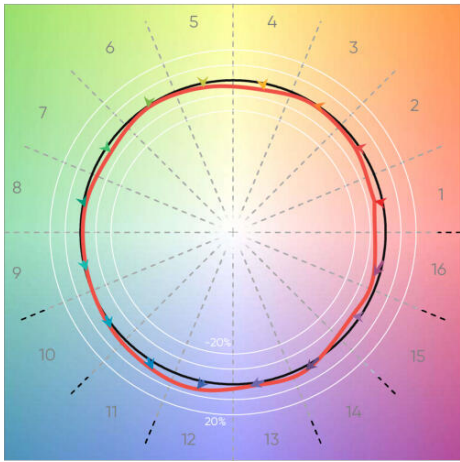
DIRECT COMFORT (DD4)	LUMEN/FT	WATT/FT	LPW	DIRECT BEAM ANGLE 25°	LUMEN/HEAD	WATT/HEAD	LPW
	900 700 500 300	12 9 6 3	78 81 84 91		620	14	44

DIRECT BEAM ANGLE 42°	LUMEN/HEAD	WATT/HEAD	LPW	INDIRECT BATWING (UD1)	LUMEN/FT	WATT/FT	LPW
	655	14	47		1350 1100 900 700 500 300	11 9 7 5 4 2	122 124 130 133 139 151

INDIRECT ASYMMETRIC (UD3)	LUMEN/FT	WATT/FT	LPW
	900 700 500 300	11 9 6 3	81 82 86 91

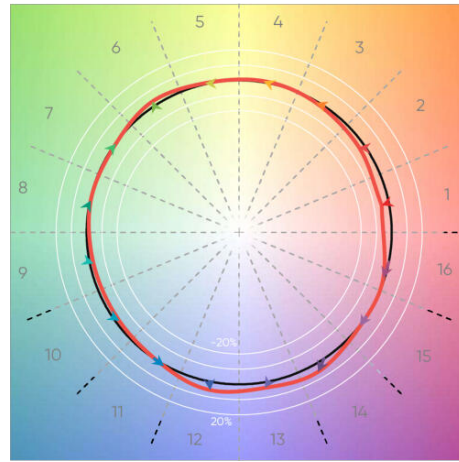
9 TM-30 DATA

CCT 2700K



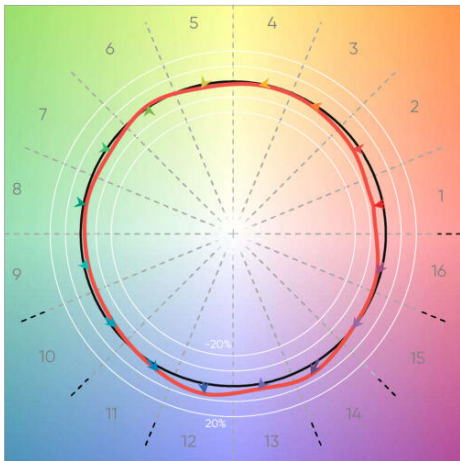
CRI(Ra)	93
CRI(R9)	61
TM30(Rf)	91
TM30(Rg)	98
Duv	-0.0022

CCT 3000K



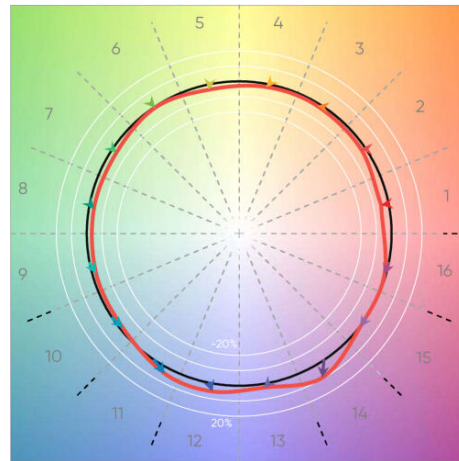
CRI(Ra)	92
CRI(R9)	58
TM30(Rf)	92
TM30(Rg)	100
Duv	-0.0003

CCT 3500K



CRI(Ra)	91
CRI(R9)	53
TM30(Rf)	90
TM30(Rg)	99
Duv	-0.0007

CCT 4000K

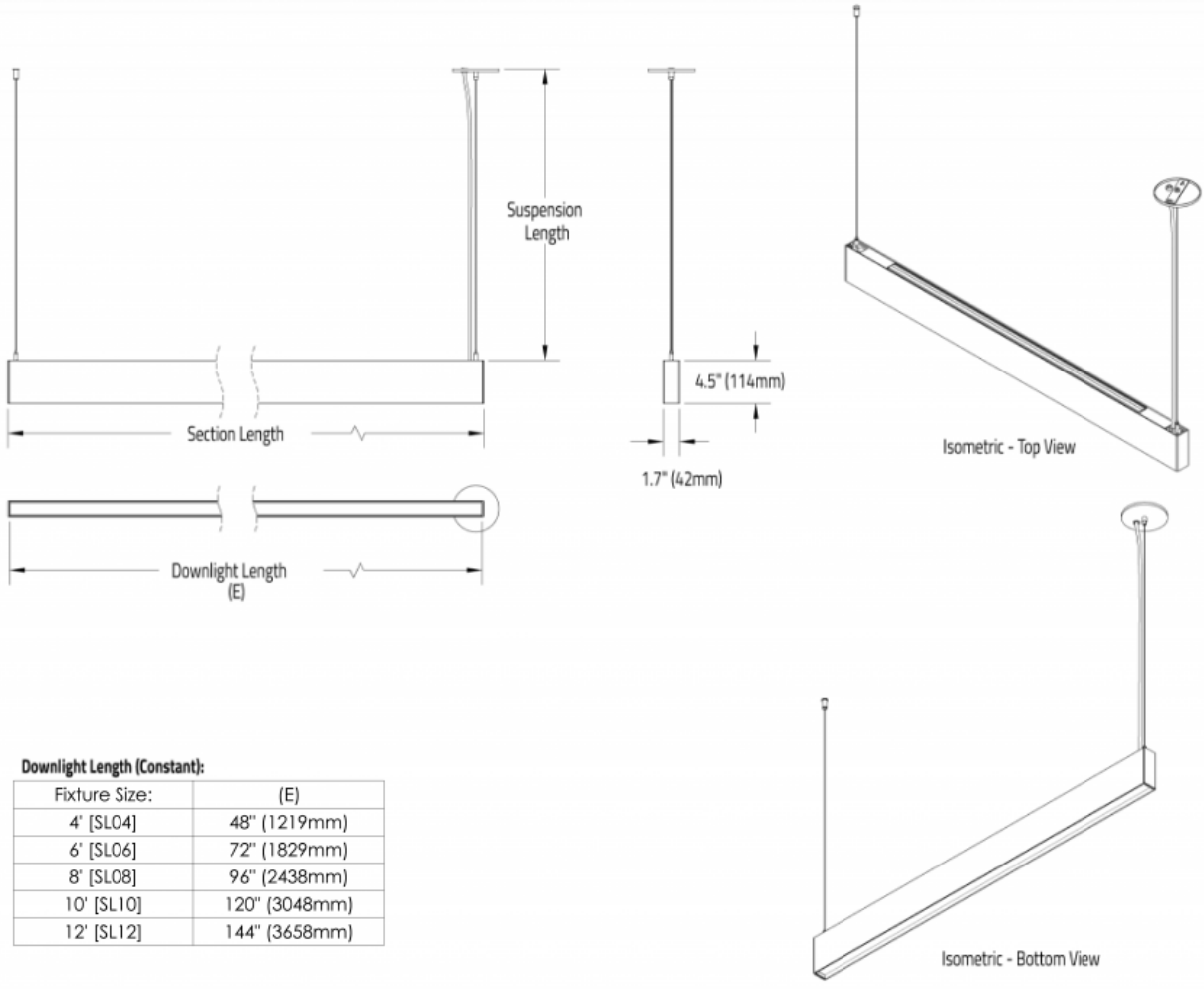


CRI(Ra)	93
CRI(R9)	64
TM30(Rf)	90
TM30(Rg)	98
Duv	0.0000

10 DIMENSIONAL DIAGRAMS

Fixture Profile

Fixture Profile



Downlight Length (Constant):

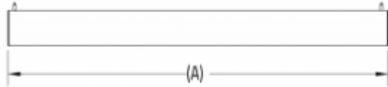
Fixture Size:	(E)
4' [SL04]	48" (1219mm)
6' [SL06]	72" (1829mm)
8' [SL08]	96" (2438mm)
10' [SL10]	120" (3048mm)
12' [SL12]	144" (3658mm)

Sections

Sections

Standalone:

Standalone [SLS1] - End cap on both sides:



Section Length:

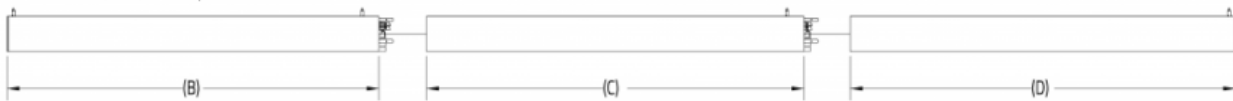
Fixture Size:	Standalone [SLS1] (A)	Start [SLS2] (B)	Middle [SLS3] (C)	End [SLS4] (D)
4' [SL04]	48.2" (1224mm)	47.2" (1199mm)	47.9" (1217mm)	48.9" (1242mm)
6' [SL06]	72.0" (1778mm)	71.0" (1803mm)	71.7" (1821mm)	72.7" (1847mm)
8' [SL08]	95.9" (2436mm)	94.8" (2408mm)	95.5" (2426mm)	96.5" (2451mm)
10' [SL10]	119.7" (3040mm)	118.7" (3015mm)	119.4" (3033mm)	120.4" (3058mm)
12' [SL12]	143.6" (3647mm)	142.5" (3620mm)	143.2" (3637mm)	144.2" (3663mm)

Continuous Run:

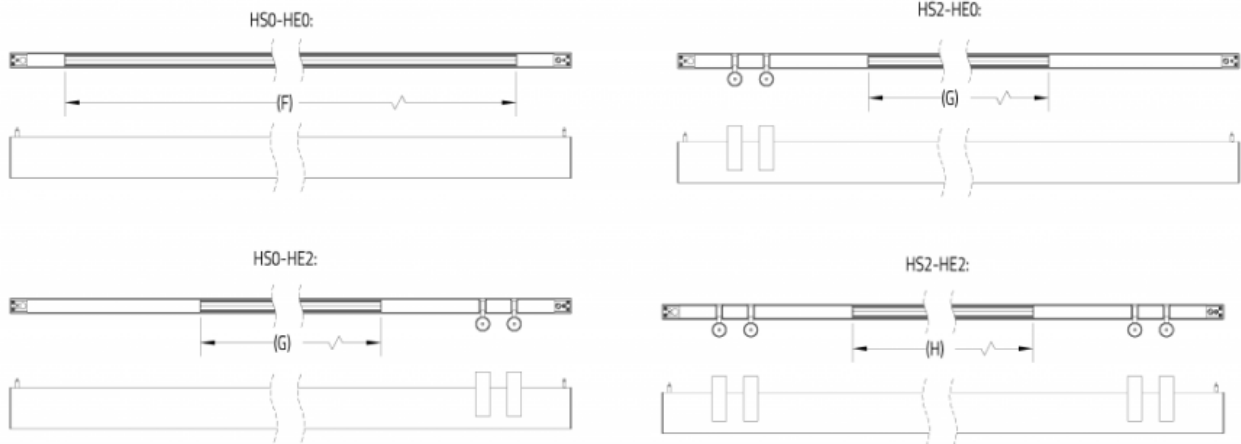
Start [SLS2] - End cap on left side:

Middle [SLS3] - No end caps

End [SLS4] - End cap on right side



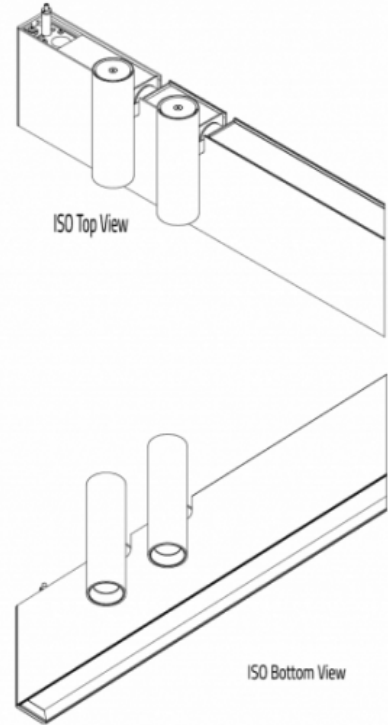
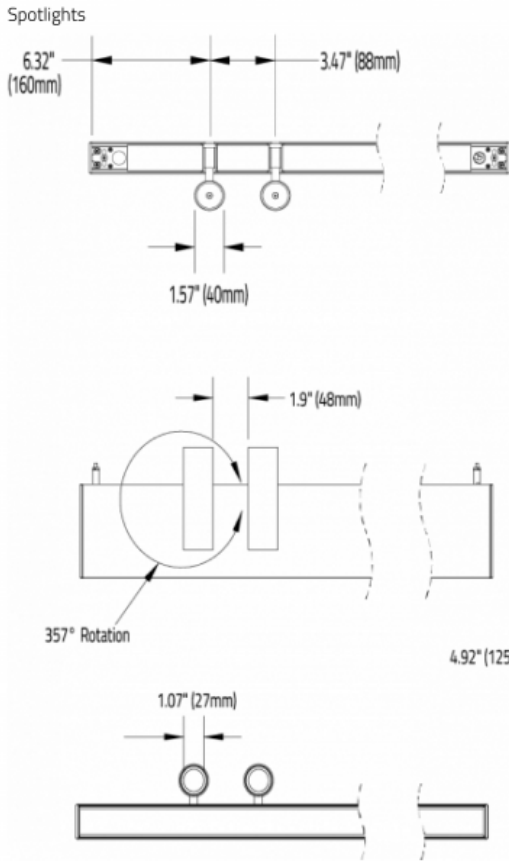
Indirect Sections



Indirect Light Length:

Fixture Size:	Without Spotlights [H50-HE0] (F)	With 2 Spotlights [H50-HE2] or [H52-HE0] (G)	With 4 Spotlights [H52-HE2] (H)
4' [SL04]	36.7" (932mm)	--	--
6' [SL06]	60.3" (1532mm)	30.6" (777mm)	--
8' [SL08]	84.2" (2139mm)	60.3" (1532mm)	--
10' [SL10]	108.2" (2748mm)	78.4" (1991mm)	78.4" (1991mm)
12' [SL12]	120.2" (3053mm)	96.4" (2449mm)	96.4" (2449mm)

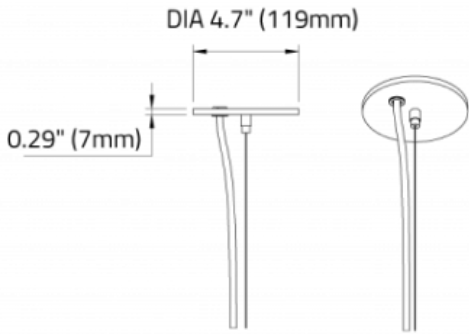
Indirect Sections



Canopy

Canopy

Hard Ceiling [H1]:



Grid Ceiling [G1]:

