



SCALA™

FULL SPECIFICATION SHEET



FIXTURE TYPE



FIXTURE CODE

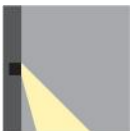


QUANTITIES

1 DESCRIPTION

SCALA is designed to blend into the architecture while illuminating steps and pathways. With asymmetric light distribution, **SCALA** makes efficient use of the light output directing it to exactly where it is required. There are 4 form factors with various orientations available to suit the exterior aesthetics, as well as 3 polyester-based finishes. This fixture is both Dark Sky (for the 3000K variant) and Turtle friendly, with the amber LED also available. The use of low copper, die-cast aluminum that is highly resistant to oxidation, stainless steel, and silicone makes this a durable fixture that is built to withstand the elements, especially with the IP65 water and dust ingress rating.

2 OPTICS & FEATURES



Ext-Wall
Recessed
Downlight



Assymetrical



Dark Sky
Friendly

3 APPROVALS



4 GENERAL SPECIFICATION

HOUSING

Low copper, die-cast aluminum highly resistant to oxidation.

FINISH

Powder coated polyester highly resistant to UV and oxidation.

LENS

3mm/0.12" sodium calcium tempered glass.

EXTERNAL SCREWS

A4 stainless steel treated with highly antioxidant water-repellent lubricating solution to ensure easy opening.

DRIVERS

HPF electronic, 120-277V (120V for Type C and D).

MECHANICAL

Recessed luminaire for wall mounting only into brick or concrete.

DARK SKY FRIENDLY

Dark Sky Friendly if ordered with 3000K CCT.

GASKET

Silicone.

CABLE ENTRY

Silicone cable gland for cables DIA 10-14mm/0.4-0.55".

ROUGH-IN HOUSING

Thermoplastic.

DELIVERED LUMENS

Delivered lumens & LPW based on 3000K (min 80 CRI).

SUSTAINABILITY

Designed for on-site LED board, driver, and optic replacement.
Contact the factory for maintenance documentation.

5 DESIGN OPTIONS

LUMINAIRE



A Type, 570
lms



B Type, 570
lms



C Type, 285
lms¹



C Type, 500
lms¹



D Type, 75
lms¹

Available in 120V only.

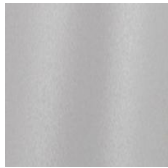
FINISH



Black
Metallic
Textured



Anthracite
Gray



Light Gray

6 HOW TO ORDER

<p>LUMINAIRE</p> <p>8208710 A Type, 570 lms 8208712 B Type, 570 lms 8208714 C Type, 285 lms¹ 8208716 C Type, 500 lms¹ 8208718 D Type, 75 lms¹</p> <p>Available in 120V only.</p>	<p>CCT</p> <p>30 3000K (min 80 CRI) 40 4000K (min 80 CRI) TF Amber LED (Turtle Friendly)</p>	<p>FINISH</p> <p>BL Black Metallic Textured AG Anthracite Gray GR Light Gray</p>	<p>DIMMING</p> <p>DB Dimming Types A & B only (0-10V)¹</p> <p>¹ Dimming equal to or less than 10%.</p>
---	--	--	--

ROUGH-IN HOUSINGS (REQUIRED)

RIH5408 Rough-In Housing for Type A
RIH5406 Rough-In Housing for Type B
RIH5409 Rough-In Housing for Type C
RIH5410 Rough-In Housing for Type D

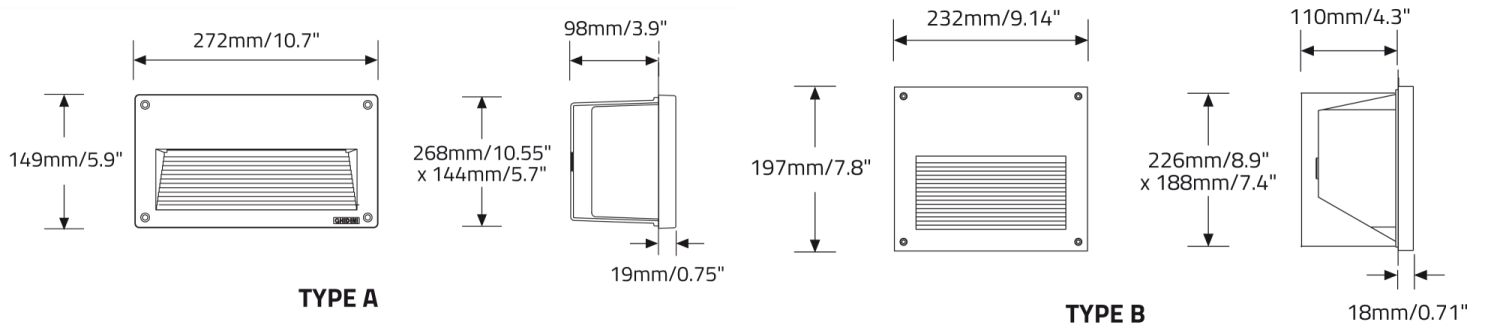
7 TECHNICAL DATA

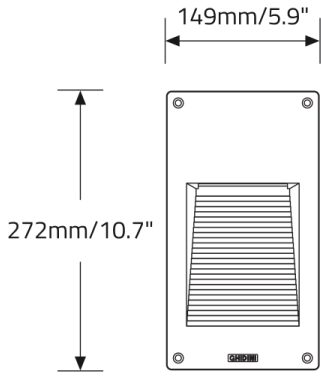
LUMINAIRE

Available in 120V only.

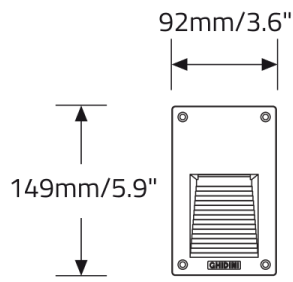
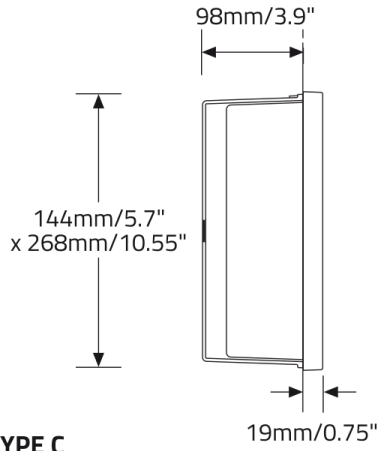
Code	8208710	8208712	8208714	8208716	8208718
Power (LED)	6W	6W	3W	6W	2W
Type	A	B	C	C	D
Initial Lumens	570	570	285	500	75

8 DIMENSIONAL DIAGRAMS





TYPE C



TYPE D

