

SCALA™ - RECESSED



Project Name:

Fixture Type:

Fixture Code:

Quantities:

A. LUMINAIRE

8208710 A Type, 570 lms

8208712 B Type, 570 lms

8208714 C Type, 285 lms

8208716 C Type, 500 lms

8208718 D Type, 75 lms

B. CCT

30 3000K (min 80 CRI)

40 4000K (min 80 CRI)

TF Amber LED (Turtle Friendly)

C. FINISH

BL Black Metallic Textured

AG Anthracite Gray

GR Light Gray

D. DIMMING

DB Dimming Types A & B only (0-10V) ¹

¹ Dimming equal to or less than 10%.

E. ROUGH-IN HOUSINGS (REQUIRED)

RIH5408 Rough-In Housing for Type A

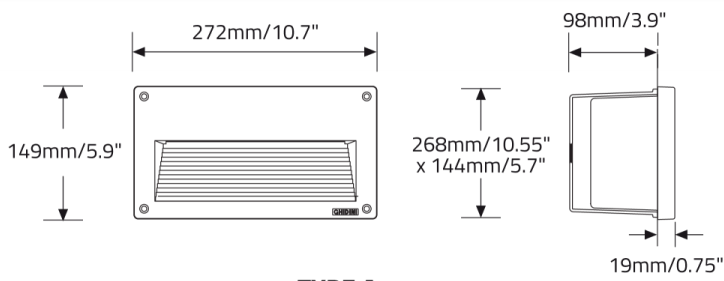
RIH5406 Rough-In Housing for Type B

RIH5409 Rough-In Housing for Type C

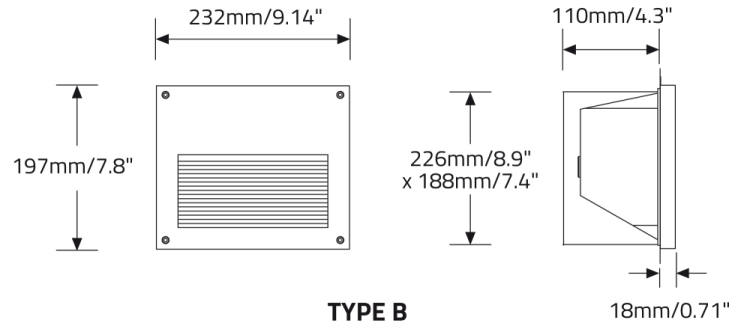
RIH5410 Rough-In Housing for Type D

SCALA™ - RECESSED

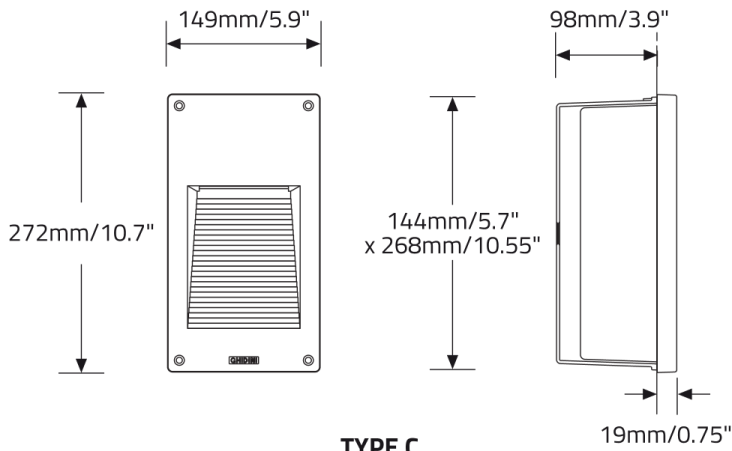
DIMENSIONAL DIAGRAMS



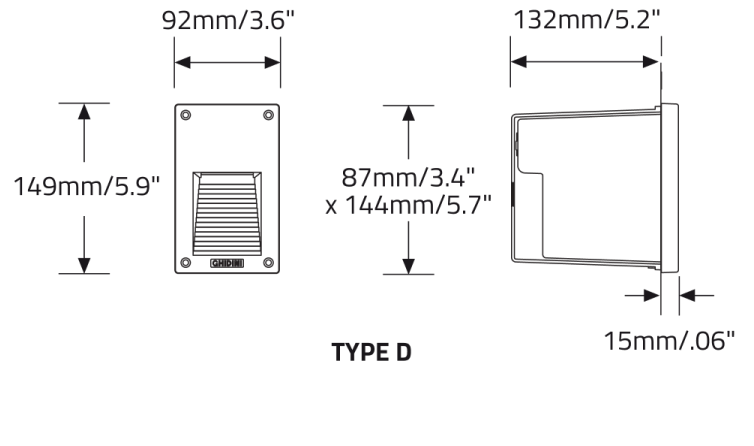
TYPE A



TYPE B



TYPE C



TYPE D