

SENTINEL™ - WALL

Project Name:

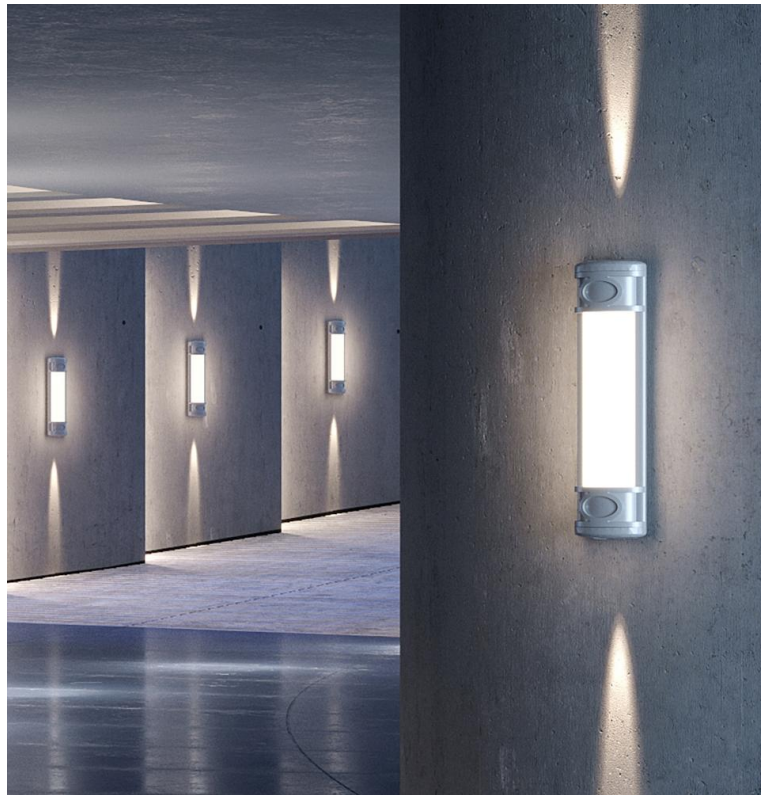
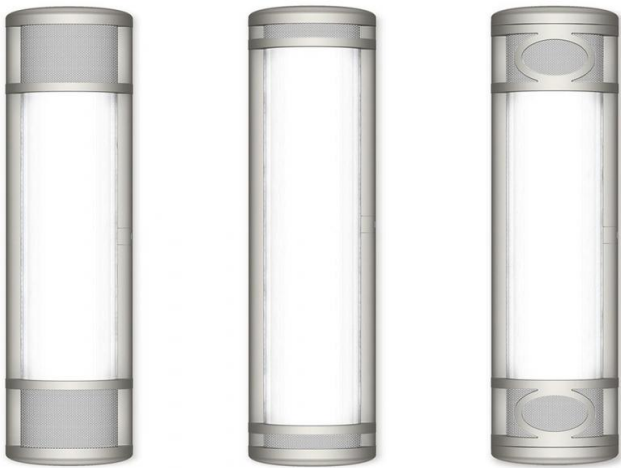
Fixture Type:

Fixture Code:

Quantities:



SENTINEL™ - WALL



SENTINEL™ - WALL

SENTINEL stands ready and secures the way, delivering a powerful omnidirectional light reinforced with optional uplight and downlight in either narrow or wide beam angles. Available in 3 fascia's, Sentinel, Sentinel II or Sentinel III.

GENERAL SPECIFICATION

Housing

Die-cast and extruded (low copper) aluminium. Front housing hinges open for access and secures via a bolt hidden behind a spring loaded flap.

Gaskets

One piece silicone.

Drivers

HPF electronic, 120-277V, 347V (EU-240V), Dimming for Direct Light Only. Up/Down light non-dimming.

Diffuser

UV stabilised polycarbonate.

Remote Emergency

Emergency option provides a 1.5 hour (3 hours for EU) emergency lighting facility. The remote system includes the inverter module, NiCad batteries and a remote wall/ceiling LED charge indicator and test switch (NA only) Maximum distance between wall/ceiling plate and luminaire is 15' (4.5m). Test switch fits a single gang box (not supplied).

Approvals

IP65, Wet Location.

Finish

Exterior grade, metallic powder coated paint.

Reflector

Aluminium, white powder coated.

Mechanical

Mounts directly over a standard electrical junction box (by others - North America only).

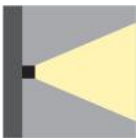
Minimum Starting Temperature

-20°C.

Delivered Lumens

Delivered lumens & LPW based on 3000K (min 80 CRI).

MOUNTING & OPTICS



Ext-Wall

SENTINEL™ - WALL

HOW TO ORDER

A. LUMINAIRE

ENTE1E01 Sentinel

ENTE1E02 Sentinel II

ENTE1E03 Sentinel III

B. FIXTURE LENGTH

FL27 27", 1200 lms

FL51 51", 2400 lms

C. CRI

CR80 CRI 80+

D. VOLTAGE

V1 120/277V

V2 240V¹

¹ Not available in North America.

E. DIMMING

DA10 0-10V Dimming 10%

F. CCT - FIXTURE FRONT

CTA30 3000K

CTA35 3500K

CTA40 4000K

G. CCT - DOWNLIGHT MODULE

CTB00 Not required

CTB30 3000K

CTB35 3500K

CTB40 4000K

H. CCT - UPLIGHT MODULE

CTC00 Not required

CTC30 3000K

CTC35 3500K

CTC40 4000K

I. BEAM ANGLE - DOWNLIGHT MODULE

BA00 Not require

BA06 6°

BA21 21°

J. BEAM ANGLE - UPLIGHT MODULE

BB00 Not required

BB06 6°

BB21 21°

K. FINISH

FA02 Black Metallic - Textured

FA20 Silver Metallic - Textured

FA47 Bronze Metallic - Textured

L. VERTICAL BAR

VB0 Not required

VB1 Vertical bar, 27" ¹

VB2 Vertical bar, 51" ¹

¹ Available for Sentinel and Sentinel II fascias only.

M. EMERGENCY

E0 Not required

E2 Emergency system - Remote ¹

¹ Front LED only, max distance 10ft, 120/277V).



SENTINEL™ - WALL

TECHNICAL DATA

FIXTURE LENGTH

| | | |
|----------------------|-------------|-------------|
| Code | FL27 | FL51 |
| Delivered lms | 1200 | 2400 |
| Wattage | 14 | 28 |
| LPW | 86 | 87 |

DOWNLIGHT MODULE BEAM

| | | | |
|---------------------------|-------------|-------------|-------------|
| Code | BA00 | BA06 | BA21 |
| Delivered Lms Down | | 150 | 210 |
| Wattage | | 2 | 4 |
| LPW | | 62 | 59 |

UPLIGHT MODULE BEAM

| | | | |
|-------------------------|-------------|-------------|-------------|
| Code | BB00 | BB06 | BB21 |
| Delivered lms Up | | 150 | 210 |
| Wattage | | 2 | 4 |
| LPW | | 62 | 59 |

LUMINAIRE



Sentinel

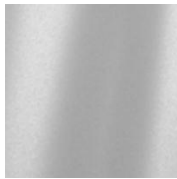


Sentinel II



Sentinel III

FINISH



Black Metallic - Textured Silver Metallic - Textured Bronze Metallic - Textured

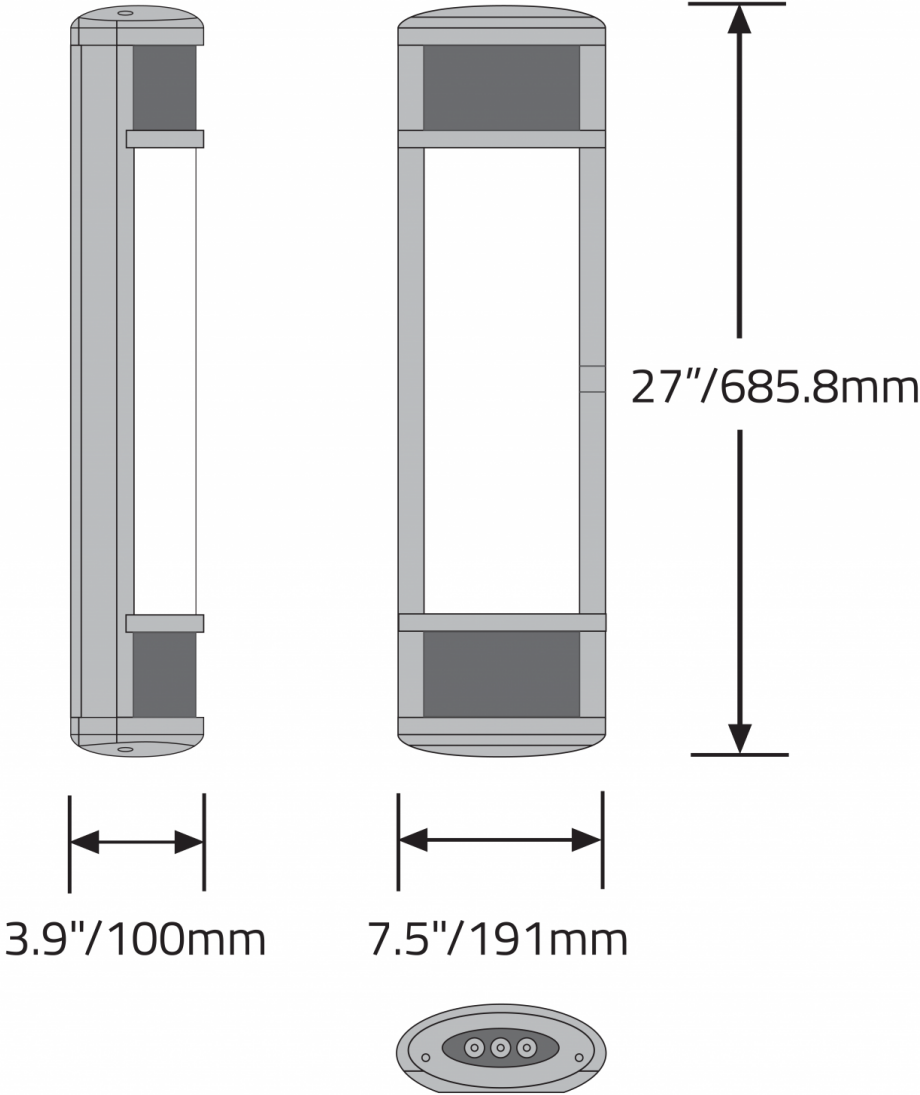
APPROVALS



SENTINEL™ - WALL

DIMENSIONAL DIAGRAMS

Sentinel 27"



Sentinel 51"

