

SENTINEL™ - WALL



Project Name:

Fixture Type:

Fixture Code:

Quantities:

A. LUMINAIRE

ENTE1E01 Sentinel

ENTE1E02 Sentinel II

ENTE1E03 Sentinel III

B. FIXTURE LENGTH

FL27 27", 1200 lms

FL51 51", 2400 lms

C. CRI

CR80 CRI 80+

D. VOLTAGE

V1 120/277V

V2 240V¹

¹ Not available in North America.

E. DIMMING

DA10 0-10V Dimming 10%

F. CCT - FIXTURE FRONT

CTA30 3000K

CTA35 3500K

CTA40 4000K

G. CCT - DOWNLIGHT MODULE

CTB00 Not required

CTB30 3000K

CTB35 3500K

CTB40 4000K

H. CCT - UPLIGHT MODULE

CTC00 Not required

CTC30 3000K

CTC35 3500K

CTC40 4000K

I. BEAM ANGLE - DOWNLIGHT MODULE

BA00 Not require

BA06 6°

BA21 21°

J. BEAM ANGLE - UPLIGHT MODULE

BB00 Not required

BB06 6°

BB21 21°

K. FINISH

FA02 Black Metallic - Textured

FA20 Silver Metallic - Textured

FA47 Bronze Metallic - Textured

L. VERTICAL BAR

VBO Not required

VB1 Vertical bar, 27" ¹

VB2 Vertical bar, 51" ¹

¹ Available for Sentinel and Sentinel II fascias only.

M. EMERGENCY

E0 Not required

E2 Emergency system - Remote ¹

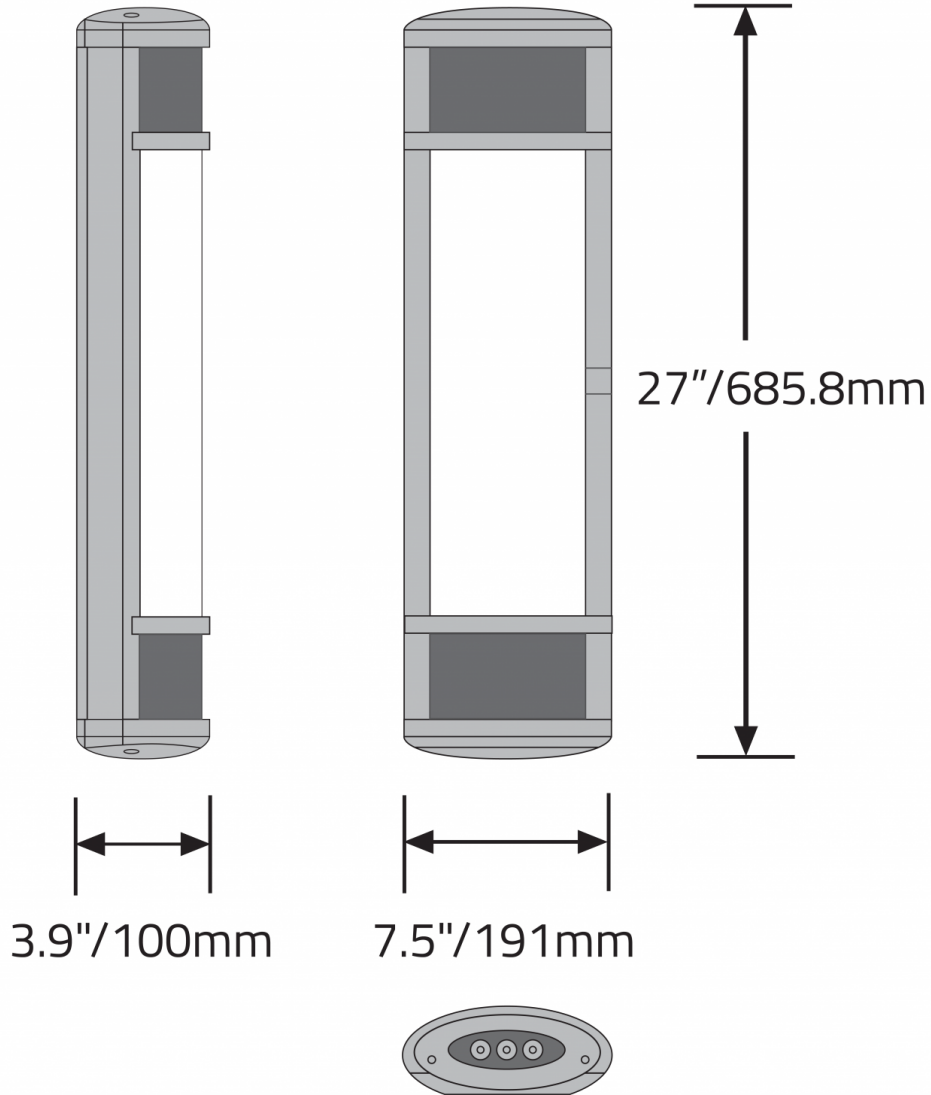
¹ Front LED only, max distance 10ft, 120/277V).



SENTINEL™ - WALL

DIMENSIONAL DIAGRAMS

Sentinel 27"



Sentinel 51"

