

SENTIS™ - WALL



Project Name:

Fixture Type:

Fixture Code:

Quantities:

A. LUMINAIRE

326100 14", 1311 lms

326102 18", 1865 lms

326104 24", 2592 lms

326106 36", 4333 lms

326108 48", 5523 lms

B. CCT

30 3000K (min 80 CRI)

35 3500K (min 80 CRI)

40 4000K (min 80 CRI)

C. FASCIA

OP Style OP

TQ Style TQ

D. FINISH

WH White

MS Silver Metallic Textured

BM Bronze Metallic Textured

E. OPTIONS

PM Perforated Mesh Accents (TQ only)

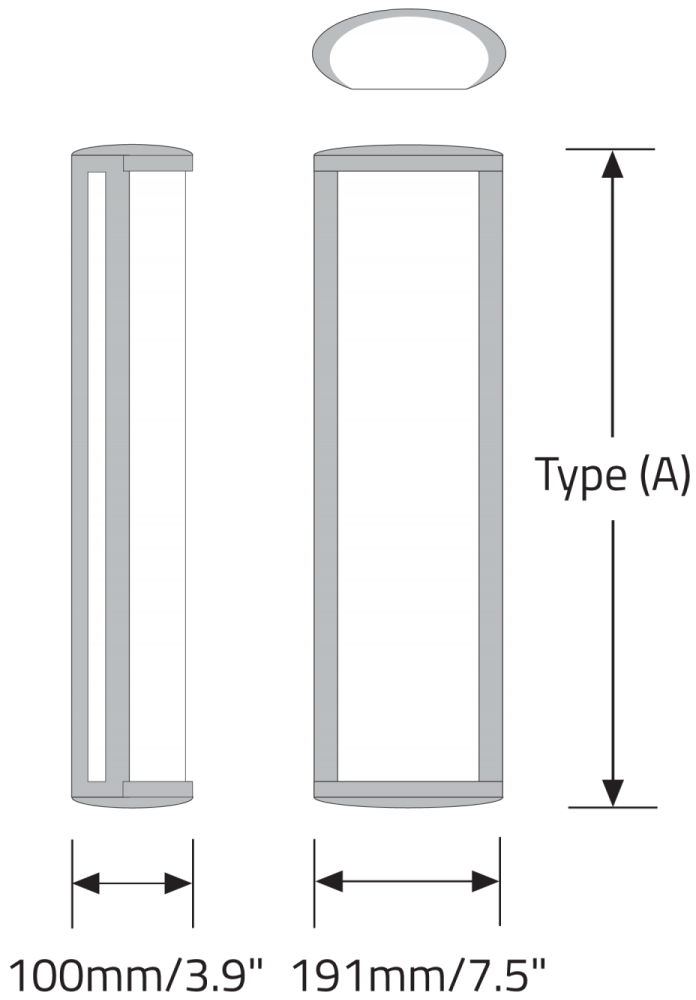
VB Vertical Bar (OP & TQ only)



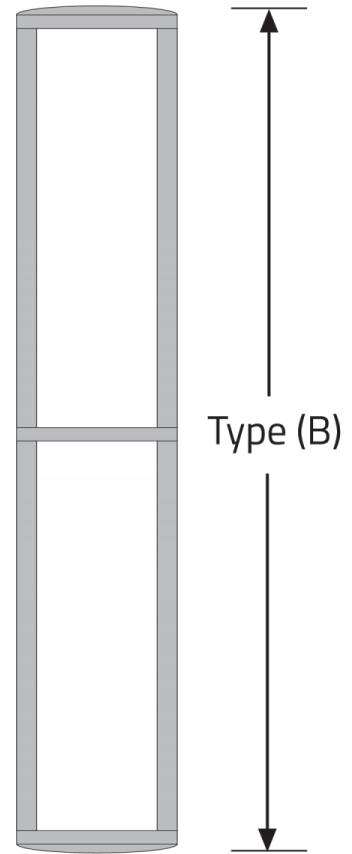
SENTIS™ - WALL

DIMENSIONAL DIAGRAMS

Style OP

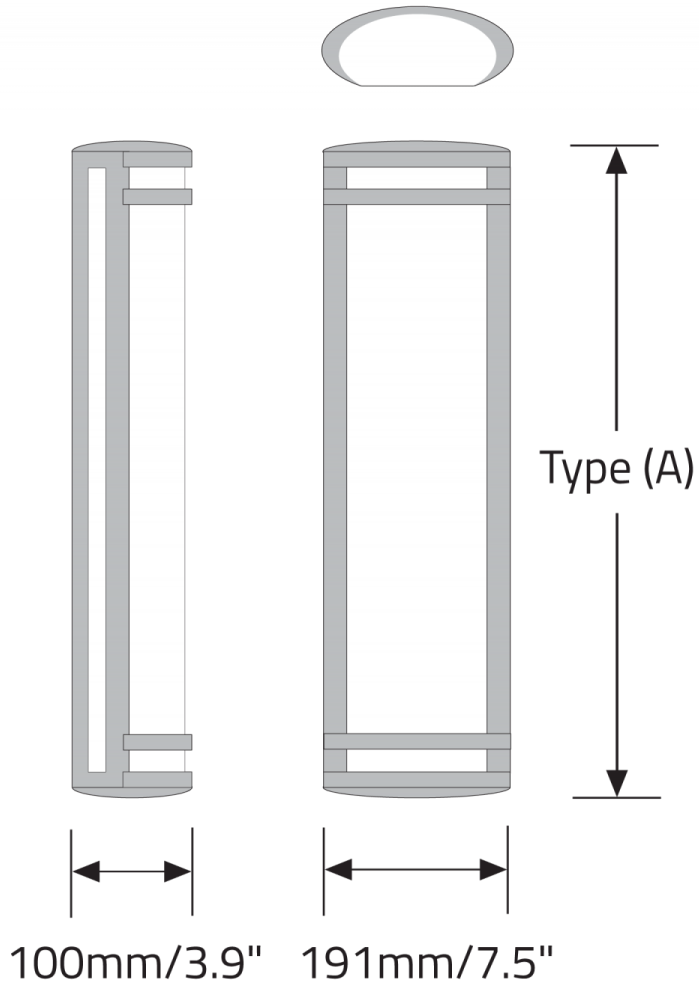


Style OP



SENTIS™ - WALL

Style TQ



Style TQ

