

SOFT SQ™ - SUSPENDED

Project Name:

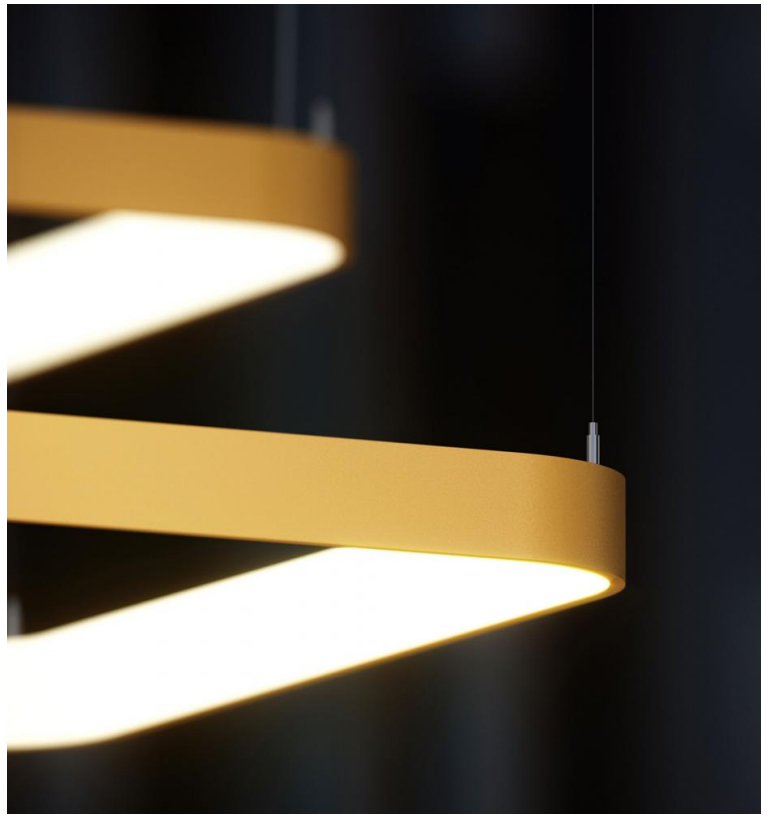
Fixture Type:

Fixture Code:

Quantities:



SOFT SQ™ - SUSPENDED



SOFT SQ™ - SUSPENDED

The optically engineered diffuser throws the light downwards exactly where it is required, whilst creating a subtle indirect glow on the ceiling. Ideally suited for atriums, lobbies, boardrooms and reception areas.

GENERAL SPECIFICATION

Body

Aluminum and steel.

Drivers

HPF electronic for 120-277V (EU-240V). The driver is mounted remotely.

Remote emergency

Emergency option provides a 1.5 hour (3 hours for EU) emergency lighting facility. The remote system includes the inverter module, NiCad batteries and a remote wall/ceiling LED charge indicator and test switch (NA only) Maximum distance between wall/ceiling plate and luminaire is 25' (7.6m). Test switch fits a single gang box (not supplied).

Delivered lumens

Delivered lumens & LPW based on 4000K, CRI 80+

Reported L70 @25°C (77°F)

> 50,000 hrs.

Diffuser

Opal acrylic.

PoE

Soft Sq can integrate into your data network via Power over Ethernet (PoE) connectivity.

Remote mounting of drivers

Wire Size (max distance from canopy to drivers) 18 AWG - 9.5' (2.9m), 16 AWG - 19.5' (5.9m), 14 AWG - 29.5' (9m). Drivers must be accessible after installation.

Sensors

Consult factory regarding sensor compatibility.

Approvals

Damp Rated.

MOUNTING & OPTICS



Suspended Direct/Indirect



Direct-indirect



Declare



PoE



SOFT SQ™ - SUSPENDED

HOW TO ORDER

A. LUMINAIRE

FTQP1P02 22", 4500 lms

FTQP1P03 36", 8100 lms

FTQP1P04 48", 10800 lms

All data shown at max output and nominal values.

B. LUMENS

LMA0230 2300

LMA0400 4000

LMA0450 4500

LMA0540 5400

LMA0810 8100

LMA1080 10800

Consult website for available lumens/Square (A).

C. CRI

CR80 CRI 80+

D. CCT

CTA27 2700K

CTA30 3000K

CTA35 3500K

CTA40 4000K

E. VOLTAGE

V1 120/277V

V2 240V¹

V3 347V²

V4 Low Voltage³

¹ Not available in North America.

² Only available with DA01 dimming.

³ To be used with DA45 only.

F. DIMMING (REMOTE ONLY)

DA01 0-10V Dimming 1.0%

DA02 0-10V Dimming 0.1%

DA10 0-10V Dimming 10.0%

DA20 DALI Dimming 0.1%

DA21 DALI Dimming 1.0%

DA30 DSI/switchDim¹

DA45 PoE²

¹ Not available in North America.

² Must be used with V4 only.

G. SUSPENSION

SS2 Vertical, remote driver

H. FIXTURE FINISH

FA01 White

FA02 Black Metallic - Textured

FA20 Silver Metallic - Textured

FA25 Gold Metallic - Textured

FA27 Wood grain - Light Cherry¹

FA28 Wood grain - Dark Walnut¹

FA44 Midnight Blue Metallic - Textured

FA45 Copper Metallic

FA46 Charcoal Metallic - Textured

FA47 Bronze Metallic - Textured

FA52 Champagne Metallic

FA53 Red Metallic - Textured

¹ Longer than normal lead times may apply, consult factory.

I. CANOPY FINISH

CF01 White

CF02 Black Metallic - Textured

CF20 Silver Metallic - Textured

CF25 Gold Metallic - Textured

CF44 Midnight Blue Metallic - Textured

CF45 Copper Metallic

CF46 Charcoal Metallic - Textured

CF47 Bronze Metallic - Textured

CF52 Champagne Metallic

CF53 Red Metallic - Textured

J. EMERGENCY

E0 Not required

E2 Emergency system - Remote



SOFT SQ™ - SUSPENDED

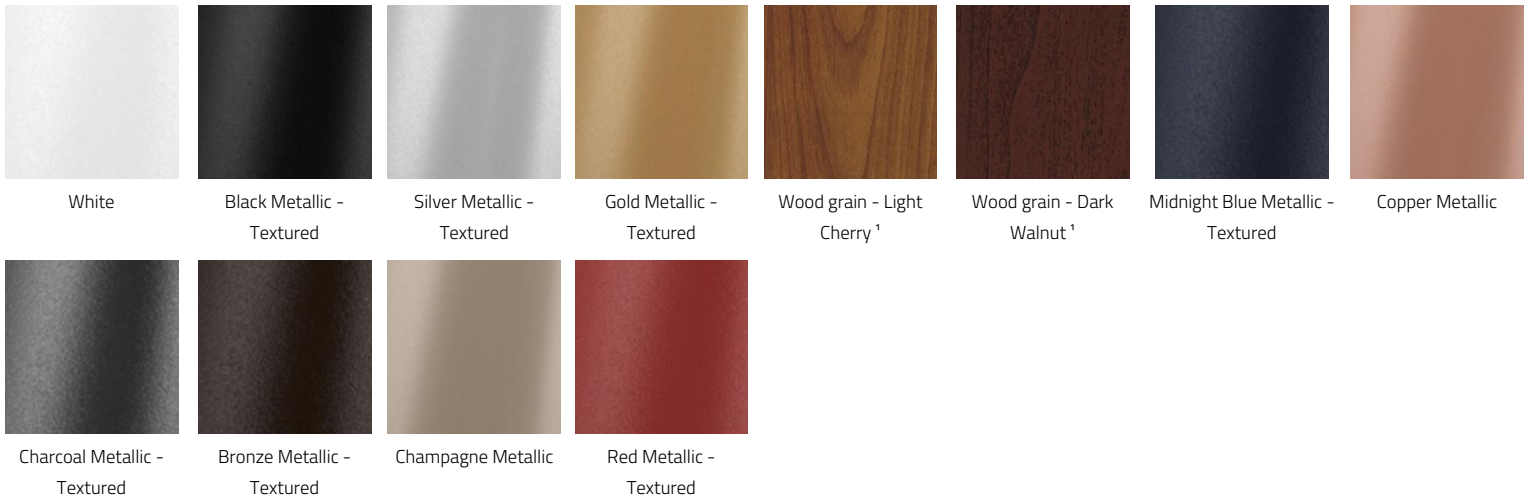
TECHNICAL DATA

LUMINAIRE

All data shown at max output and nominal values.

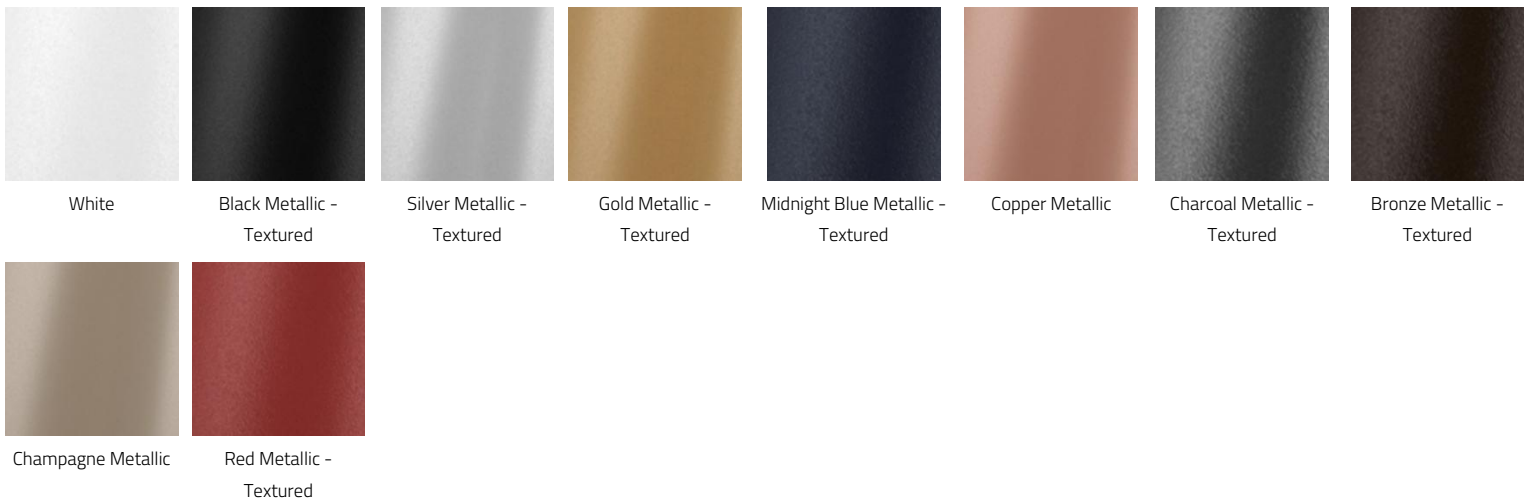
Code	FTQP1P02	FTQP1P03	FTQP1P04
Square (A)	22"	36"	48"
Max Wattage	53W	96W	127W
Down/Up Ratio	80/20	80/20	80/20
Max Delivered lms	4500	8100	10800
Max LPW	90	89	90

FINISH - FIXTURE



¹ Longer than normal lead times may apply, consult factory.

FINISH - CANOPY



SOFT SQ™ - SUSPENDED

APPROVALS



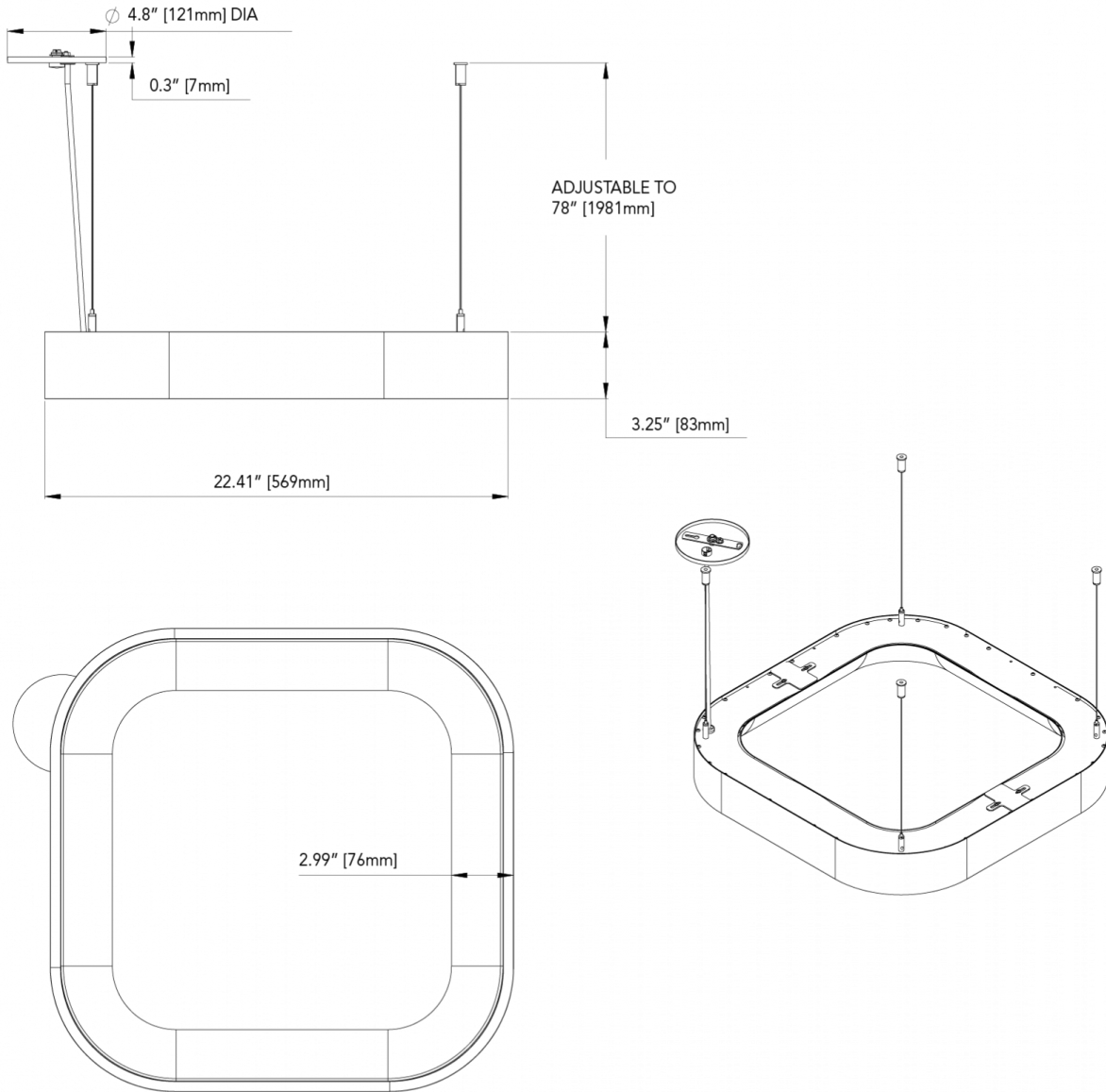
DAMP
LOCATION



SOFT SQ™ - SUSPENDED

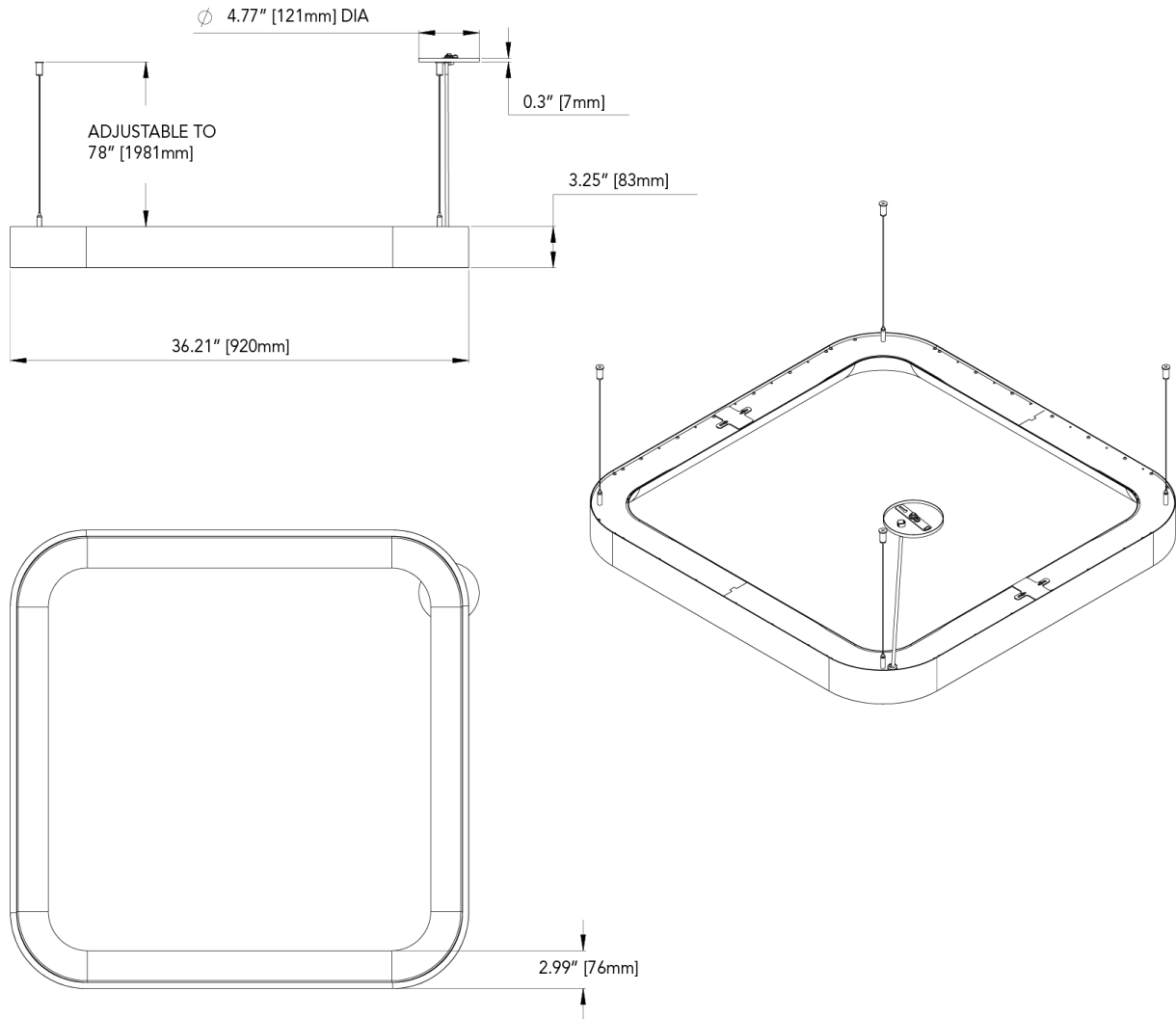
DIMENSIONAL DIAGRAMS

2FT



SOFT SQ™ - SUSPENDED

3FT



SOFT SQ™ - SUSPENDED

4FT

