



SPECTIVE™

FULL SPECIFICATION SHEET



Fixture Type

Fixture Code

Quantities

1 DESCRIPTION

SPECTIVE, a seamless fusion of timeless design and cutting-edge technology. Meticulously designed to emulate the iconic shape of fluorescent tubes, **SPECTIVE** boasts a striking light strip that runs down the center of its diffuser. The diffuser of **SPECTIVE** takes the form of a rail and features an anodized trim in black, gold or silver that appears to draw a graphical line along its profile. The lens texture and shape produce a distinct visual impact, evocative of multiple wave patterns. Completing the visual ensemble are the flawlessly rounded end caps, which embody the **SPECTIVE** design ethos, yielding a versatile and appealing profile from every angle.

2 MOUNTING & OPTICS



3 APPROVALS



4 GENERAL SPECIFICATION

BODY

Aluminum.

FINISH

Powder coated.

SUSPENSION

Steel cables.

POE

Can be integrated into your data network via Power over Ethernet (PoE) connectivity.

MECHANICAL

Luminaires mount directly over J box (by others).

INTEGRAL EMERGENCY SYSTEM

Emergency option provides a 1.5 hour (3 hours for EU) emergency lighting facility. The self contained system includes the inverter module, NiCad batteries, LED charge indicator and test switch (NA only). Not available with a 347V supply.

REPORTED L70 @25°C (77°F)

> 60,000 hrs @ 2000 lumens/ft (6000 lumens/m)

TUNABLE WHITE

Tunable White range from 2700K to 6500K is available; contact the factory for details.

DESIGNED BY

Serge Cornelissen.

POWER CABLE

Silver braided.

DRIVERS

HPF electronic drivers for 120-277V, 347V (EU-240V). The driver is integral to the fixture housing.

DIFFUSER

Opal acrylic.

SENSORS

Compatible with Avi-On, Casambi, Enlighted, Lutron Vive, nLight, NX Lighting Controls, Osram, Philips, and others. Consult factory.

ESTIMATED L70 @25°C (77°F)

> 165,000 hrs @ 2000 lumens/ft (6000 lumens/m)

APPROVALS

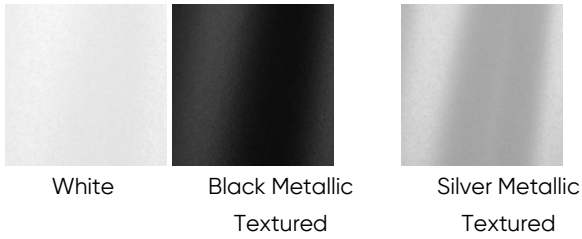
Damp Rated.

DESIGN

US Design Patent Pending.

5 DESIGN OPTIONS

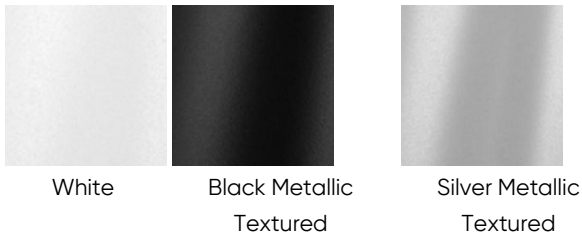
FIXTURE FINISH



INSIDE TRIM FINISH



CANOPY FINISH



6 HOW TO ORDER

A. LUMINAIRE

SPEC1P Direct **SPEC2P** Direct/Indirect

All data based on max values, consult Performance Data download for more details.
One power cord for every 50 linear feet.

B. LENGTH OF RUN

SFA_ _ _ _

Length of run is 4, 6, 8, 10 or 12ft only, not available as a continuous run.

C. FIXTURE LENGTH

SL04 4ft	SL06 6ft	SL08 8ft	SL10 10ft
SL12 12ft			

D. LUMENS/FT DIRECT

LPF020 200 lm/ft	LPF040 400 lm/ft	LPF060 600 lm/ft
-------------------------	-------------------------	-------------------------

E. LUMENS/FT INDIRECT

LPG000 Not required	LPG020 200 lm/ft	LPG040 400 lm/ft	LPG060 600 lm/ft
LPG080 800 lm/ft	LPG100 1000 lm/ft	LPG120 1200 lm/ft	LPG140 1400 lm/ft

F. CRI

CR90 CRI 90+

G. CCT

CTA27 2700K	CTA30 3000K	CTA35 3500K	CTA40 4000K
--------------------	--------------------	--------------------	--------------------

H. DIRECT DIFFUSER

DD3 Diffused light diffuser

UPLIGHT DIFFUSER

UD0 Not required	UD1 Clear diffuser (Batwing distribution)	UD3 Asymmetric diffuser ¹
-------------------------	--	---

¹ Available up to 1000 lm/ft.

UPLIGHT BLACKOUT PLATE

UB00 Not required	UB_ _ Blackout plate ¹
--------------------------	--

¹ Available on a per foot basis. May be required to prevent lighting up of duct work in loft type applications.

I. VOLTAGE

V1 120/277V **V2** 240V ¹ **V3** 347V ² **V4** Low Voltage ³

¹ Not available in North America.

² Only available with DA01 dimming.

³ Only available with DA45 dimming.

J. DIMMING

DA01 0–10V Dimming 1.0% **DA02** 0–10V Dimming 0.1% ¹ **DA20** DALI Dimming 0.1% ¹ **DA21** DALI Dimming 1.0% ¹
DA30 DSI/switchDim ² **DA45** PoE ³

¹ Not available with 347V.

² Not available in North America.

³ Only available with V4.

K. CEILING TYPE

H1 Hard ceiling ² **H2** Grid ceiling ¹

¹ Combo kit provided includes installation to T-bar and through tile mount.

² Designed for drywall ceilings.

L. SUSPENSION

HLA03 3ft cable suspension **HLA06** 6ft cable suspension **HLA09** 9ft cable suspension

M. FIXTURE FINISH

FA01 White **FA02** Black Metallic Textured **FA20** Silver Metallic Textured

N. INSIDE TRIM FINISH

FB02 Black Metallic Textured **FB20** Silver Metallic Textured **FB59** Gold Anodized

O. CANOPY FINISH

CF01 White **CF02** Black Metallic Textured **CF20** Silver Metallic Textured

P. EMERGENCY

E0 Not required **E1** Emergency system - Integral ¹

¹ not available with V3.

Q. CIRCUITS

CS1 Single circuit **CS2** Dual circuit

R. SENSORS

7 TECHNICAL DATA

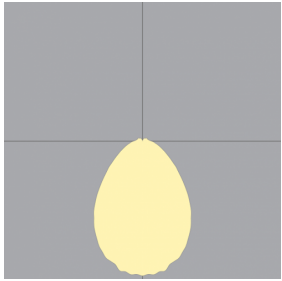
LUMINAIRE

All data based on max values, consult Performance Data download for more details.
One power cord for every 50 linear feet.

Code	SPEC1P	SPEC2P
Light Direction	Direct	Direct/Indirect

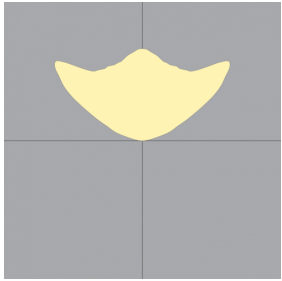
8 PERFORMANCE DATA

DIRECT DIFFUSED (DD3)



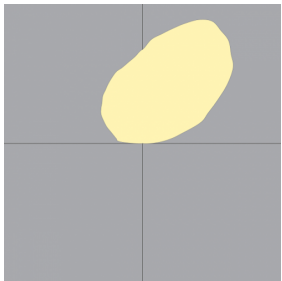
LUMEN/FT	WATT/FT	LPW
600	6	104
400	4	109
200	2	116

INDIRECT BATWING (UD1)



LUMEN/FT	WATT/FT	LPW
1400	12	116
1200	10	119
1000	8	122
800	6	127
600	5	131
400	3	137
200	2	144

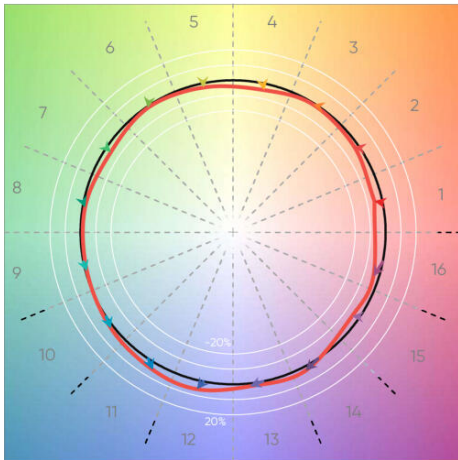
INDIRECT ASYMMETRIC (UD3)



LUMEN/FT	WATT/FT	LPW
1000	12	82
800	10	85
600	6	89
400	5	92
200	2	96

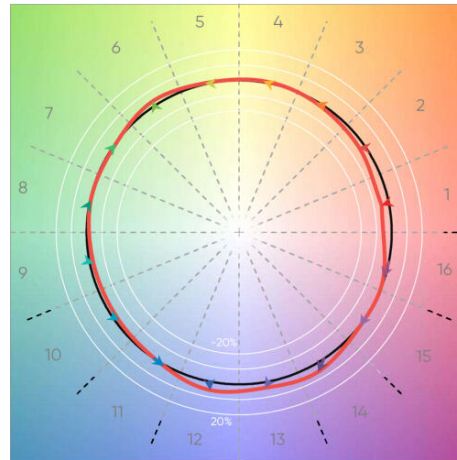
9 TM-30 DATA

CCT 2700K



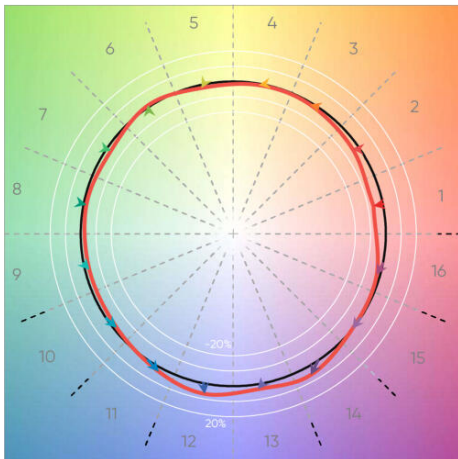
CRI(Ra)	93
CRI(R9)	61
TM30(Rf)	91
TM30(Rg)	98
Duv	-0.0022

CCT 3000K



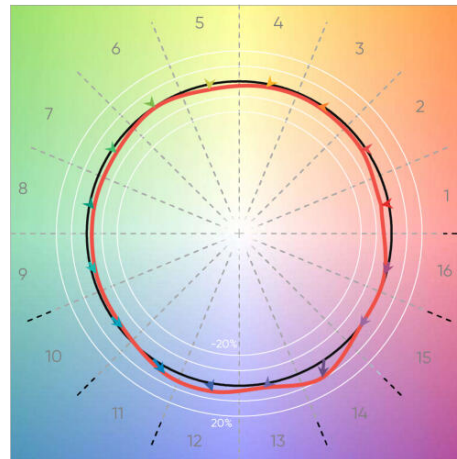
CRI(Ra)	92
CRI(R9)	58
TM30(Rf)	92
TM30(Rg)	100
Duv	-0.0003

CCT 3500K



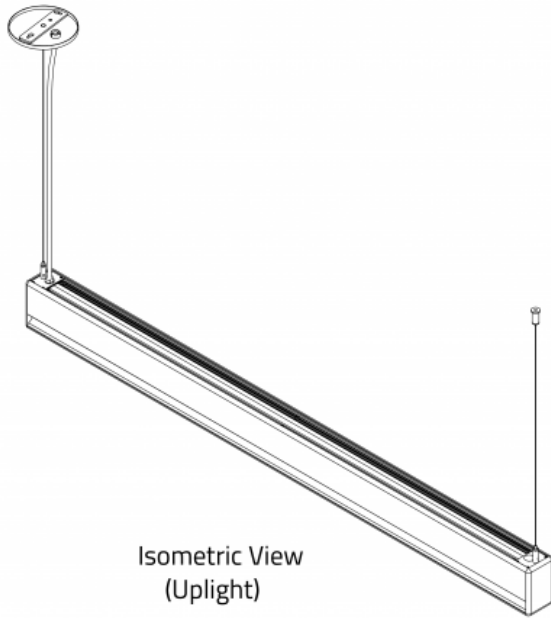
CRI(Ra)	91
CRI(R9)	53
TM30(Rf)	90
TM30(Rg)	99
Duv	-0.0007

CCT 4000K

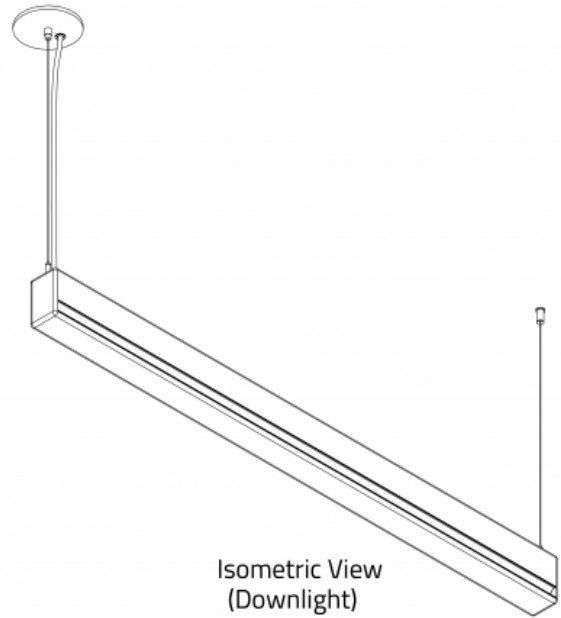


CRI(Ra)	93
CRI(R9)	64
TM30(Rf)	90
TM30(Rg)	98
Duv	0.0000

10 DIMENSIONAL DIAGRAMS



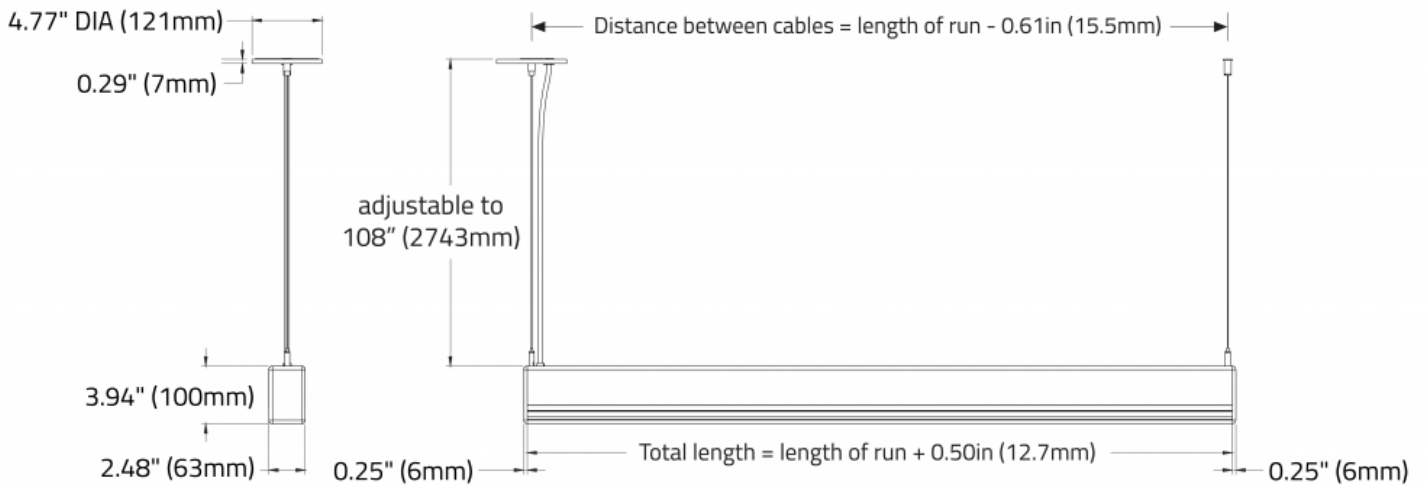
Isometric View
(Uplight)



Isometric View
(Downlight)



Top View (Uplight)



Bottom View (Downlight)