

# SPIA™ - WALL RECESSED EXTERIOR

---

Project Name:

Fixture Type:

---

Fixture Code:

Quantities:

# SPIA™ - WALL RECESSED EXTERIOR

## GENERAL SPECIFICATION

### Housing

Low copper, die-cast aluminum highly resistant to oxidation.

### Gasket

Silicone.

### Reflectors

High purity aluminum.

### Cable entry

Type A, M16 gland for DIA 5- 10mm/0.22-0.4" cables. Type B, Double silicon cable gland for DIA 10-14mm/0.4-0.5" cables.

### Rough-in housing

Thermoplastic.

### Lens

5mm/0.2" tempered glass.

### Finish

Powder coated.

### External screws

A4 stainless steel treated with highly antioxidant water-repellent lubricating solution to ensure easy opening.

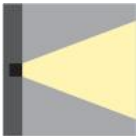
### Drivers

HPF, electronic 120-277V.

### Mechanical

For wall installation in poured concrete/brick.

## OPTICS & FEATURES



Ext-Wall Recessed

# SPIA™ - WALL RECESSED EXTERIOR

## HOW TO ORDER

### A. LUMINAIRE

**8207410** 8207410

**8207412** 8207412

**8207414** 8207414

**8207416** 8207416

### B. CCT

**30** 3000K (min 80 CRI)

**40** 4000K (min 80 CRI)

### C. FINISH

**BL** Black

**AG** Anthracite Gray

**GR** Light Gray

### D. OPTIONS

**DB** Dimming (Trailing Edge, 120V only)

**TF** Turtle Friendly Amber LEDs (0.35 of 3000K lms)

**SC** Second Cable Entry

### E. ROUGH-IN HOUSING (REQUIRED)

**RIH5297** Rough-In Housing (Types A & B)

**RIH5301** Rough-In Housing (Types C & D)



# SPIA™ - WALL RECESSED EXTERIOR

## TECHNICAL DATA

### LUMINAIRE

<b>Code</b>	<b>8207410</b>	<b>8207412</b>	<b>8207414</b>	<b>8207416</b>
<b>Power</b>	1W Half Louver	1W Full Louver	3W Half Louver	3W Full Louver
<b>Initial Lumens</b>	75lm	75lm	225lm	225lm
<b>Dimensions</b>	Type A	Type B	Type C	Type D

---

### APPROVALS

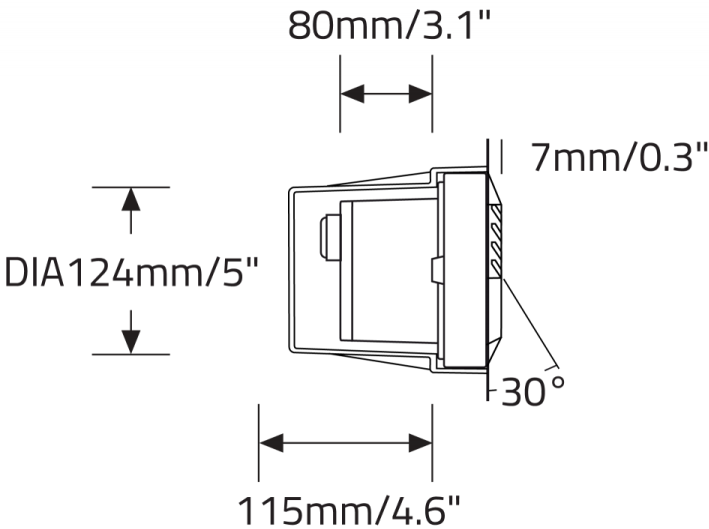


IP67



# SPIA™ - WALL RECESSED EXTERIOR

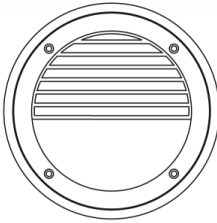
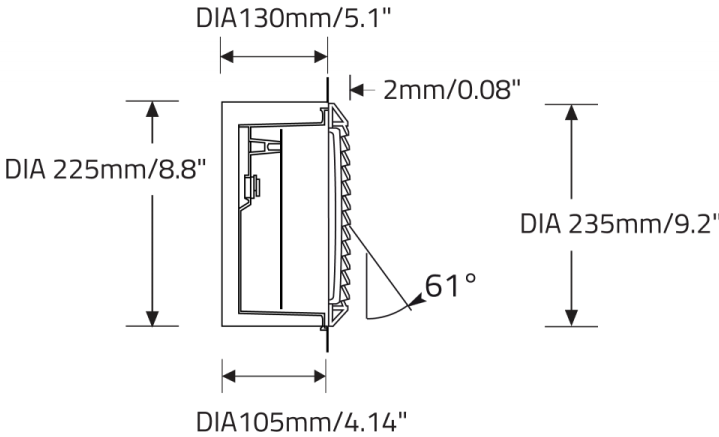
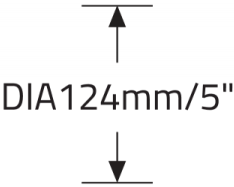
## DIMENSIONAL DIAGRAMS



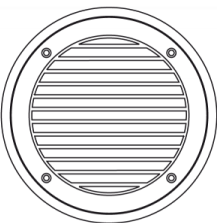
Type A



Type B



Type C



Type D

