

SQUIGGLE™ - CONTINUOUS

Project Name:

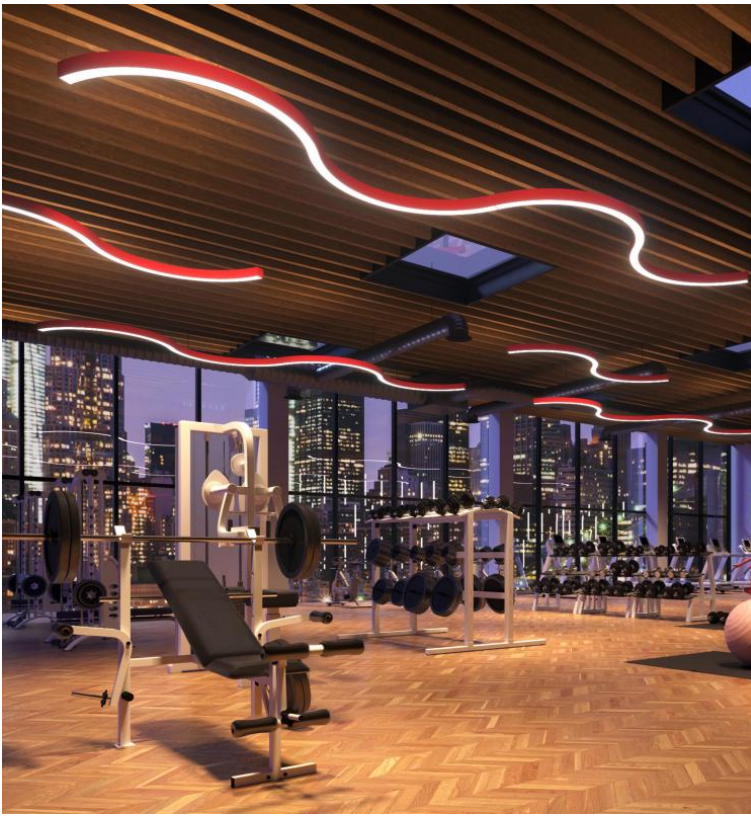
Fixture Type:

Fixture Code:

Quantities:



SQUIGGLE™ - CONTINUOUS



SQUIGGLE™ - CONTINUOUS

SQUIGGLE goes wherever you need it to be. It is a dynamic curvilinear light system that flows with architectural design. Choose curves of various radii, straight runs, and joiners to design a distinct light configuration that wraps around structural elements and becomes part of the architectural character.

GENERAL SPECIFICATION

Suspension

Steel cables. Recommended minimum mounting heights from ceiling: 305mm/12" for White LEDs and 610mm/24" for Colored LEDs (Only for Direct/Indirect version).

Body and trim

Steel and aluminum.

Drivers For RGBW

Integral HPF electronic drivers/DMX interfaces for 120-277V (EU-240V). Luminaires require a DMX controller by others. The driver is integral to the fixture housing.

PoE

Squiggle can integrate into your data network via Power over Ethernet (PoE) connectivity.

Integral Emergency system

Emergency option provides a 1.5 hour (3 hours for EU) emergency lighting facility. The self contained system includes the inverter module, NiCad batteries, LED charge indicator and test switch (NA only). Not available with a 347V supply.

Mechanical

Luminaires mount directly over J box (by others - North America only).

L70 @25°C (77°F)

> 50,000 hrs.

Ordering Example

To Create an "S Shape" order as follows:

Qty 4 - AX6/J3/K0/F2/D1/L0/C0/W0/U0 (Four curve sections)

Qty 2 - AX22/F2 (End caps)

Qty 3 - AX23 (Connectors)

Qty 1 - AX25/F2 (Power cord)

Each line to be ordered separately

Please note: Add 2 end caps per run and 1 power cord per 10 meter/32.8ft run.

Finish

Powder coated for standard finishes (black, Silver Metallic & white). For wood grain finishes, the canopy will be white.

Power cable

Silver braided.

Drivers For white LED,

integral, HPF electronic drivers for 120-277V (EU-240V). The driver is integral to the fixture housing.

Diffusers

Opal polycarbonate direct/Clear polycarbonate indirect.

Electrical

Luminaires are pre-wired with a factory installed branch circuit wiring with quick connectors. Through wiring is used to connect individual luminaires.

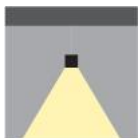
Delivered Lumens

Delivered lumens & LPW based on 4000K (min 80 CRI) for White LEDs only.

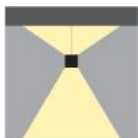
Approvals

Damp rated.

MOUNTING & OPTICS



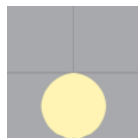
Suspended Direct



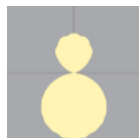
Suspended Direct/Indirect



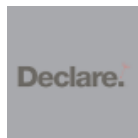
RGBW



Direct



Direct-indirect



Declare



PoE

SQUIGGLE™ - CONTINUOUS

HOW TO ORDER

A. SECTIONS (SEE ORDERING EXAMPLE ABOVE)

AX1 Curve 16, 2057 lms	AX2 Curve 30, Direct, 4081 lms	AX3 Curve 42, Direct, 8167 lms	AX4 Curve 48, Direct, 8864 lms
AX5 Curve 54, Direct, 10132 lms	AX6 Curve 72, Direct, 10294 lms	AX7 Straight 28, Direct, 2660 lms	AX27 Straight 36, Direct, 3430 lms
AX8 Straight 47, Direct, 3800 lms	AX9 Straight 72, Direct, 6883 lms	AX10 Straight 95, Direct, 9154 lms	AX11 Curve 30, Direct/Indirect, 73/27 Ratio, 5568 lms
AX12 Curve 42, Direct/Indirect, 66/34 Ratio, 12260 lms	AX13 Curve 48, Direct/Indirect, 68/32 Ratio, 12983 lms	AX14 Curve 54, Direct/Indirect, 71/29 Ratio, 14318 lms	AX15 Curve 72, Direct/Indirect, 71/29 Ratio, 14444 lms
AX16 Straight 28, Direct/Indirect, 70/30 Ratio, 3320 lms	AX28 Straight 36, Direct/Indirect, 70/30 Ratio, 4914 lms	AX17 Straight 47, Direct/Indirect, 70/30 Ratio, 5510 lms	AX18 Straight 72, Direct/Indirect, 70/30 Ratio, 9853 lms
AX19 Straight 95, Direct/Indirect, 70/30 Ratio, 13740 lms	AX20 Cross, Direct, 4150 lms	AX21 Corner, Direct, 1900 lms	AX22 End Cap
AX23 Connector SC ¹	AX24 Connector TC ²	AX25 Power feed & canopy SC ¹	AX26 Power feed & canopy TC ²
AX30 RGBW connector SC ¹	AX31 RGBW connector TC ²	AX33 RGBW power feed & canopy	AX29 RGBW dim. power feed & canopy TC ²
AX32 RGBW dim. connector TC ²			

We highly recommend you supply a drawing to allow us to verify you have quoted correctly.

A drawing will be required at the time of order placement.

Cross and Corner sections (AX20 & AX21 respectively) are direct light only and can be used with both Direct and Direct/Indirect sections.

Corner sections and Curve 16 section **cannot** be used as stand alone fixtures.

End caps & connectors are complete with cable suspension.

Power feed and canopy: One feed for every 12m/40' of the circumference.

Recommended minimum suspension length from ceiling: 12" for White LEDs, 24" for Colored LEDs.

¹ SC = Single Circuit

² TC = Twin Circuit

B. CCT/COLOR (DIRECT)

J2 3000K (min 80 CRI)	J3 3500K (min 80 CRI)	J4 4000K (min 80 CRI)	J7 Red
J8 Green	J9 Blue	J10 RGBW	

RGBW: to calculate wattage, reference IES files.

C. CCT/COLOR (INDIRECT)

K0 Indirect CCT not required	K2 3000K (min 80 CRI)	K3 3500K (min 80 CRI)	K4 4000K (min 80 CRI)
K7 Red	K8 Green	K9 Blue	K10 RGBW

RGBW: to calculate wattage, reference IES files.

D. FINISH

F1 White	F2 Black Metallic Textured	F20 Silver Metallic Textured	FA25 Gold Metallic - Textured
F27 Wood grain - Light Cherry ¹	F28 Wood grain - Dark Walnut ¹	FA44 Midnight Blue Metallic - Textured	FA45 Copper Metallic
FA46 Charcoal Metallic - Textured	FA47 Bronze Metallic - Textured	FA52 Champagne Metallic	FA53 Red Metallic - Textured

¹ The canopy will be white for fixtures with the wood grain finishes F27 & F28.

¹ Longer than normal lead times and premium pricing may apply, consult factory.



SQUIGGLE™ - CONTINUOUS

E. DIMMING (DIRECT)

CB0 Direct dimming not required	CB1 0-10V Dimming 1.0%	CB2 0-10V Dimming 0.1% ¹	CB3 347V, 0-10V Dimming (1.0%)
CB4 DALI Dimming 0.1% ¹	CB5 DALI Dimming 1.0% ¹	CB6 DSI (EU only) ^{1 2}	CB7 switchDim (EU only) ^{1 2}
CB11 DMX Dimming	CB12 PoE ³		

¹ Not available in 347V.

² Not available in North America.

³ Must be used with EV only.

F. DIMMING (INDIRECT)

CC0 Indirect dimming not required	CC1 0-10V Dimming 1.0%	CC2 0-10V Dimming 0.1% ¹	CC3 347V, 0-10V Dimming (1.0%)
CC4 DALI Dimming 0.1% ¹	CC5 DALI Dimming 1.0% ¹	CC7 switchDim (EU only) ^{1 2}	CC11 DMX Dimming
CC12 PoE ³			

¹ Not available in 347V.

² Not available in North America.

³ Must be used with EV only.

G. LUMEN OUTPUT

L0 100% of standard output	L1 Lumen & wattage reduction to approximately 75% of standard output	L2 Lumen & wattage reduction to approximately 50% of standard output	L3 Lumen & wattage reduction to approximately 25% of standard output
-----------------------------------	---	---	---

Note: Custom reduction percentages available upon request.

H. EMERGENCY

E0 Emergency system not required	E1 Emergency system - integral, not available with CB3 or SAX1
---	---

I. CONTROLS

C0 Controls not required	C1 Encelium/Zigbee control
---------------------------------	-----------------------------------

J. SEPARATE SWITCHING

W0 Single circuit	W1 Separate Switching
--------------------------	------------------------------

K. DIFFUSER

U0 Uplight diffuser not required	U1 Clear Diffuser	U2 Opal Diffuser ¹
---	--------------------------	--------------------------------------

L. OPTIONAL LOW VOLTAGE

EV Low Voltage

¹ To be used with CB12 & CC12 only.



SQUIGGLE™ - CONTINUOUS

TECHNICAL DATA



SQUIGGLE™ - CONTINUOUS

SECTIONS

We highly recommend you supply a drawing to allow us to verify you have quoted correctly.

A drawing will be required at the time of order placement.

Cross and Corner sections (AX20 & AX21 respectively) are direct light only and can be used with both Direct and Direct/Indirect sections.

Corner sections and Curve 16 section **cannot** be used as stand alone fixtures.

End caps & connectors are complete with cable suspension.

Power feed and canopy: One feed for every 12m/40' of the circumference.

Recommended minimum suspension length from ceiling: 12" for White LEDs, 24" for Colored LEDs.

¹ SC = Single Circuit

² TC = Twin Circuit

Code	AX1	AX2	AX3	AX4	AX5	AX6
Section	Curve 16	Curve 30	Curve 42	Curve 48	Curve 54	Curve 72
Arc°	90°	90°	120°	120°	120°	90°
Radius	16"	30"	42"	48"	54"	72"
Length						
Down/Up Ratio	100/0	100/0	100/0	100/0	100/0	100/0
Wattage	21W	41W	83W	90W	104W	104W
Delivered lms (White LEDs only)	2057	4081	8167	8864	10132	10294
LPW	99	98	98	98	97	99
Code	AX7	AX27	AX8	AX9	AX10	AX11
Section	Straight 28	Straight 36	Straight 47	Straight 72	Straight 95	Curve 30
Arc°						90°
Radius						30"
Length	28"	36"	47"	72"	95"	
Down/Up Ratio	100/0	100/0	100/0	100/0	100/0	73/27
Wattage	28W	35W	40W	69W	92W	55W
Delivered lms (White LEDs only)	2660	3430	3800	6883	9154	5568
LPW	100	99	99	99	99	100
Code	AX12	AX13	AX14	AX15	AX16	AX28
Section	Curve 42	Curve 48	Curve 54	Curve 72	Straight 28	Straight 36
Arc°	120°	120°	120°	90°		
Radius	42"	48"	54"	72"		
Length					28"	36"
Down/Up Ratio	66/34	68/32	71/29	71/29	70/30	70/30
Wattage	125W	132W	146W	146W	35W	49W
Delivered lms (White LEDs only)	12260	12983	14318	14444	3320	4914
LPW	98	99	98	99	101	101
Code	AX17	AX18	AX19	AX20	AX21	AX22
Section	Straight 47	Straight 72	Straight 95	Cross	Corner	End Cap
Arc°						



SQUIGGLE™ - CONTINUOUS

Code	AX17	AX18	AX19	AX20	AX21	AX22
Radius						
Length	47"	72"	95"			
Down/Up Ratio	70/30	70/30	70/30	100/0	100/0	
Wattage	58W	97W	135W	43W	21W	
Delivered lms (White LEDs only)	5510	9853	13740	4150	1900	
LPW	102	102	102	98	91	
Code	AX23	AX24	AX25	AX26	AX30	AX31
Section	Connector SC ¹	Connector TC ²	Power feed & canopy SC ¹	Power feed & canopy TC ²	RGBW connector SC ¹	RGBW connector TC ²
Arc°						
Radius						
Length						
Down/Up Ratio						
Wattage						
Delivered lms (White LEDs only)						
LPW						
Code	AX33	AX29	AX32			
Section	RGBW power feed & canopy	RGBW dim. power feed & canopy TC ²	RGBW dim. connector TC ²			
Arc°						
Radius						
Length						
Down/Up Ratio						
Wattage						
Delivered lms (White LEDs only)						
LPW						

SQUIGGLE™ - CONTINUOUS

FINISH



White



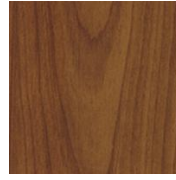
Black Metallic Textured



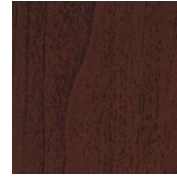
Silver Metallic
Textured



Gold Metallic -
Textured



Wood grain - Light
Cherry ¹



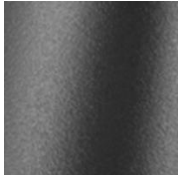
Wood grain - Dark
Walnut ¹



Midnight Blue Metallic -
Textured



Copper Metallic



Charcoal Metallic -
Textured



Bronze Metallic -
Textured



Champagne Metallic



Red Metallic -
Textured

¹ The canopy will be white for fixtures with the wood grain finishes F27 & F28.

¹ Longer than normal lead times and premium pricing may apply, consult factory.

APPROVALS



DAMP
LOCATION



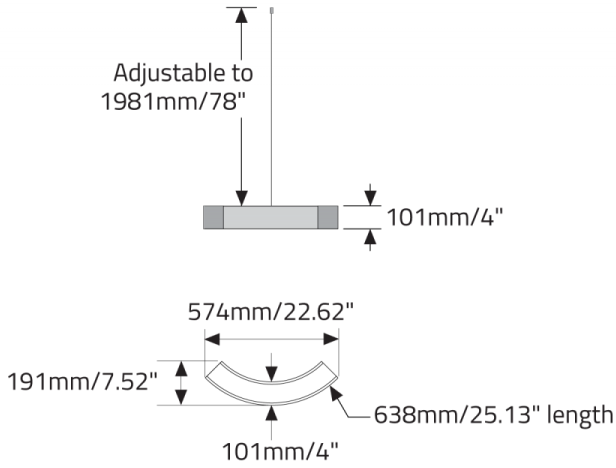
IP20



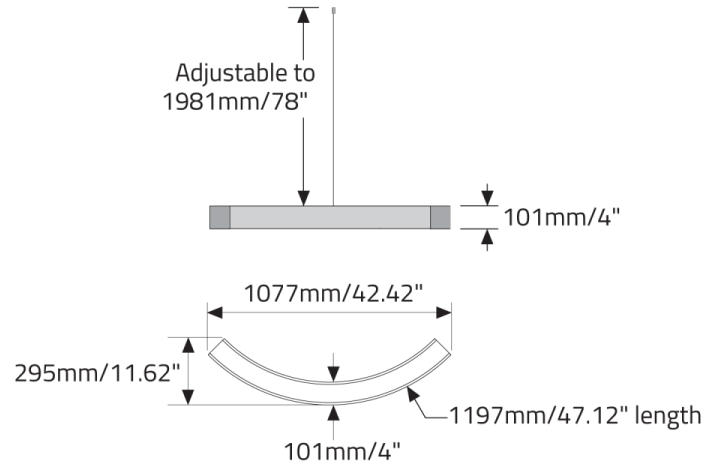
SQUIGGLE™ - CONTINUOUS

DIMENSIONAL DIAGRAMS

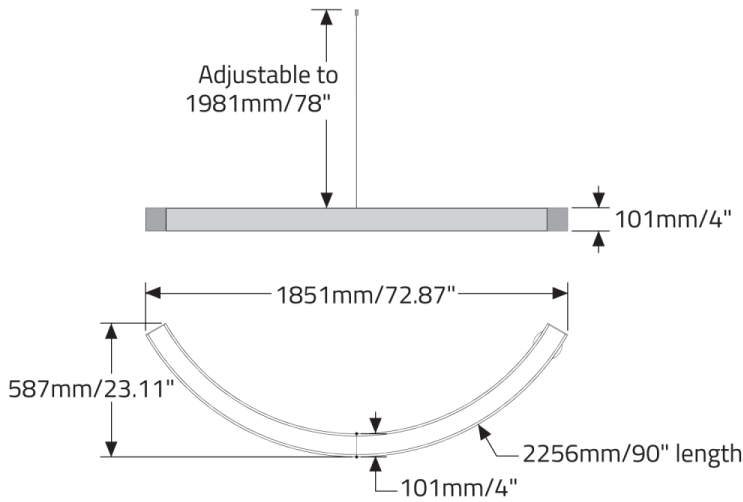
Radius 16"



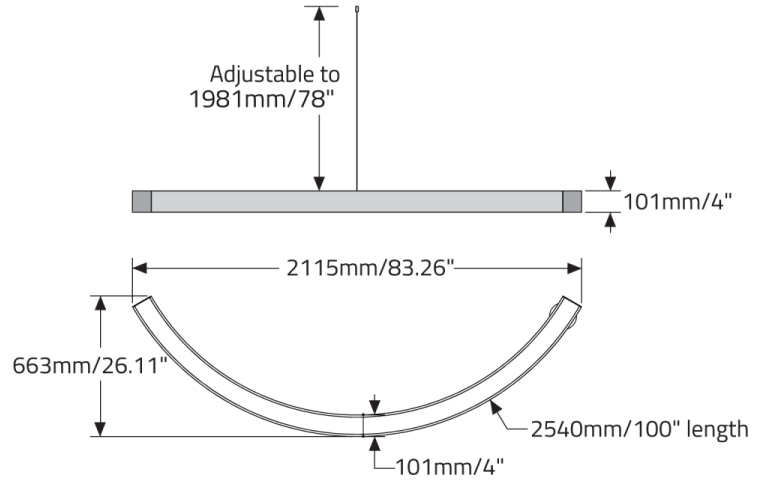
Radius 30"



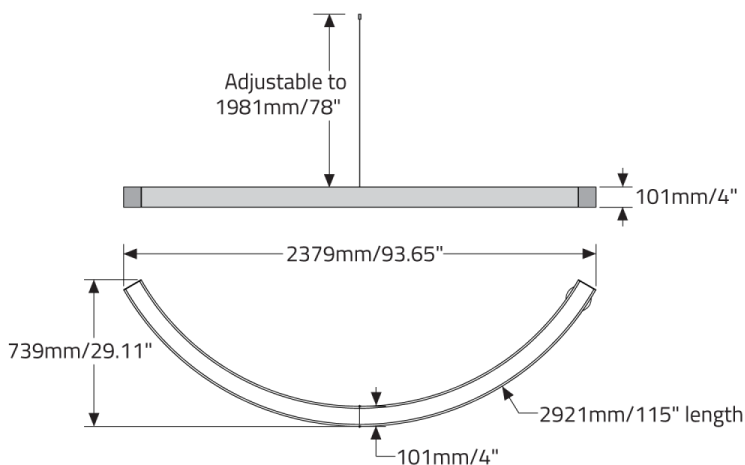
Radius 42"



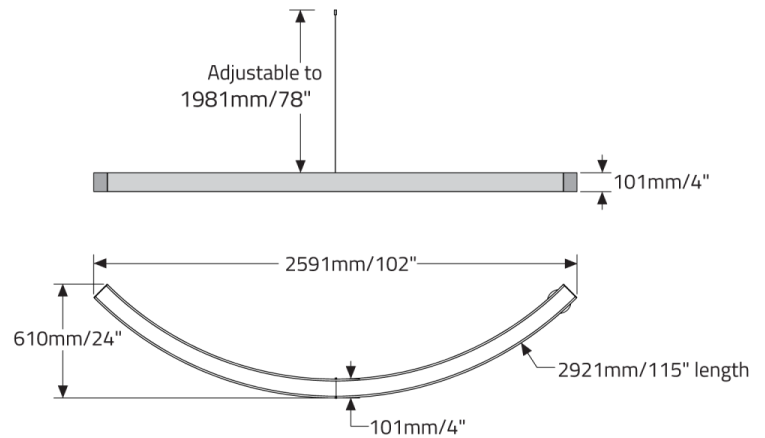
Radius 48"



Radius 54"

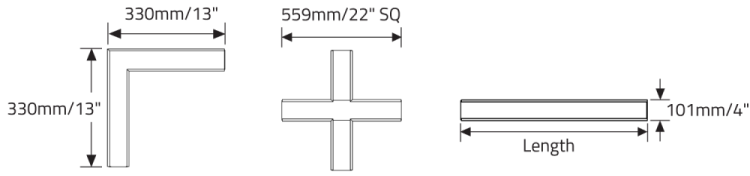


Radius 72"

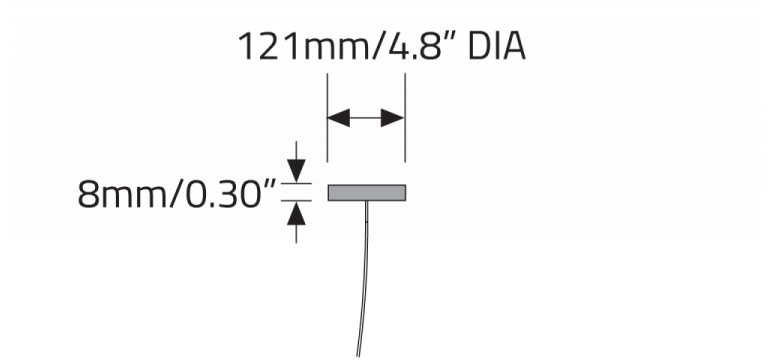


SQUIGGLE™ - CONTINUOUS

Corner, Cross & Straight Sections



Standard Canopy



RGBW / DMX Canopy

