

SQUIGGLE™ - CONTINUOUS



Project Name:

Fixture Type:

Fixture Code:

Quantities:

A. SECTIONS (SEE ORDERING EXAMPLE ABOVE)

AX1 Curve 16, 2057 lms	AX2 Curve 30, Direct, 4081 lms	AX3 Curve 42, Direct, 8167 lms	AX4 Curve 48, Direct, 8864 lms
AX5 Curve 54, Direct, 10132 lms	AX6 Curve 72, Direct, 10294 lms	AX7 Straight 28, Direct, 2660 lms	AX27 Straight 36, Direct, 3430 lms
AX8 Straight 47, Direct, 3800 lms	AX9 Straight 72, Direct, 6883 lms	AX10 Straight 95, Direct, 9154 lms	AX11 Curve 30, Direct/Indirect, 73/27 Ratio, 5568 lms
AX12 Curve 42, Direct/Indirect, 66/34 Ratio, 12260 lms	AX13 Curve 48, Direct/Indirect, 68/32 Ratio, 12983 lms	AX14 Curve 54, Direct/Indirect, 71/29 Ratio, 14318 lms	AX15 Curve 72, Direct/Indirect, 71/29 Ratio, 14444 lms
AX16 Straight 28, Direct/Indirect, 70/30 Ratio, 3320 lms	AX28 Straight 36, Direct/Indirect, 70/30 Ratio, 4914 lms	AX17 Straight 47, Direct/Indirect, 70/30 Ratio, 5510 lms	AX18 Straight 72, Direct/Indirect, 70/30 Ratio, 9853 lms
AX19 Straight 95, Direct/Indirect, 70/30 Ratio, 13740 lms	AX20 Cross, Direct, 4150 lms	AX21 Corner, Direct, 1900 lms	AX22 End Cap
AX23 Connector SC ¹	AX24 Connector TC ²	AX25 Power feed & canopy SC ¹	AX26 Power feed & canopy TC ²
AX30 RGBW connector SC ¹	AX31 RGBW connector TC ²	AX33 RGBW power feed & canopy	AX29 RGBW dim. power feed & canopy TC ²
AX32 RGBW dim. connector TC ²			

We highly recommend you supply a drawing to allow us to verify you have quoted correctly.

A drawing will be required at the time of order placement.

Cross and Corner sections (AX20 & AX21 respectively) are direct light only and can be used with both Direct and Direct/Indirect sections.

Corner sections and Curve 16 section **cannot** be used as stand alone fixtures.

End caps & connectors are complete with cable suspension.

Power feed and canopy: One feed for every 12m/40' of the circumference.

Recommended minimum suspension length from ceiling: 12" for White LEDs, 24" for Colored LEDs.

¹ SC = Single Circuit

² TC = Twin Circuit

B. CCT/COLOR (DIRECT)

J2 3000K (min 80 CRI)	J3 3500K (min 80 CRI)	J4 4000K (min 80 CRI)	J7 Red
J8 Green	J9 Blue	J10 RGBW	

RGBW: to calculate wattage, reference IES files.

C. CCT/COLOR (INDIRECT)

K0 Indirect CCT not required	K2 3000K (min 80 CRI)	K3 3500K (min 80 CRI)	K4 4000K (min 80 CRI)
K7 Red	K8 Green	K9 Blue	K10 RGBW

RGBW: to calculate wattage, reference IES files.

D. FINISH

F1 White	F2 Black Metallic Textured	F20 Silver Metallic Textured	FA25 Gold Metallic - Textured
F27 Wood grain - Light Cherry ¹	F28 Wood grain - Dark Walnut ¹	FA44 Midnight Blue Metallic - Textured	FA45 Copper Metallic
FA46 Charcoal Metallic - Textured	FA47 Bronze Metallic - Textured	FA52 Champagne Metallic	FA53 Red Metallic - Textured

¹ The canopy will be white for fixtures with the wood grain finishes F27 & F28.

¹ Longer than normal lead times and premium pricing may apply, consult factory.

SQUIGGLE™ - CONTINUOUS

E. DIMMING (DIRECT)

CB0 Direct dimming not required	CB1 0-10V Dimming 1.0%	CB2 0-10V Dimming 0.1% ¹	CB3 347V, 0-10V Dimming (1.0%)
CB4 DALI Dimming 0.1% ¹	CB5 DALI Dimming 1.0% ¹	CB6 DSI (EU only) ^{1 2}	CB7 switchDim (EU only) ^{1 2}
CB11 DMX Dimming	CB12 PoE ³		

¹ Not available in 347V.

² Not available in North America.

³ Must be used with EV only.

F. DIMMING (INDIRECT)

CC0 Indirect dimming not required	CC1 0-10V Dimming 1.0%	CC2 0-10V Dimming 0.1% ¹	CC3 347V, 0-10V Dimming (1.0%)
CC4 DALI Dimming 0.1% ¹	CC5 DALI Dimming 1.0% ¹	CC7 switchDim (EU only) ^{1 2}	CC11 DMX Dimming
CC12 PoE ³			

¹ Not available in 347V.

² Not available in North America.

³ Must be used with EV only.

G. LUMEN OUTPUT

L0 100% of standard output	L1 Lumen & wattage reduction to approximately 75% of standard output	L2 Lumen & wattage reduction to approximately 50% of standard output	L3 Lumen & wattage reduction to approximately 25% of standard output
-----------------------------------	---	---	---

Note: Custom reduction percentages available upon request.

H. EMERGENCY

E0 Emergency system not required	E1 Emergency system - integral, not available with CB3 or SAX1
---	---

I. CONTROLS

C0 Controls not required	C1 Encelium/Zigbee control
---------------------------------	-----------------------------------

J. SEPARATE SWITCHING

W0 Single circuit	W1 Separate Switching
--------------------------	------------------------------

K. DIFFUSER

U0 Uplight diffuser not required	U1 Clear Diffuser	U2 Opal Diffuser ¹
---	--------------------------	--------------------------------------

L. OPTIONAL LOW VOLTAGE

EV Low Voltage

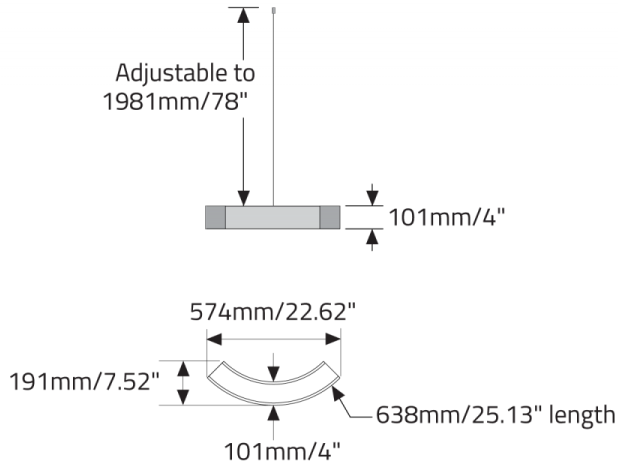
¹ To be used with CB12 & CC12 only.



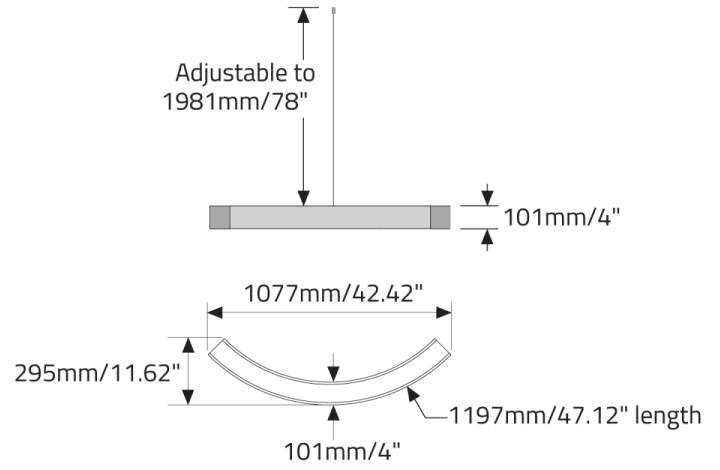
SQUIGGLE™ - CONTINUOUS

DIMENSIONAL DIAGRAMS

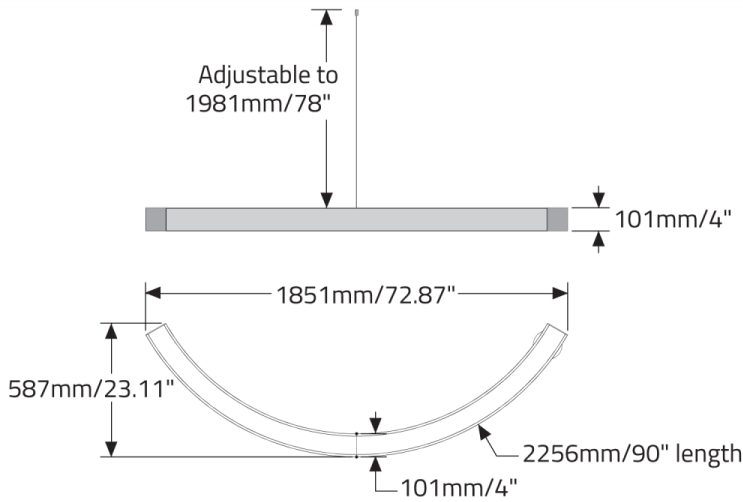
Radius 16"



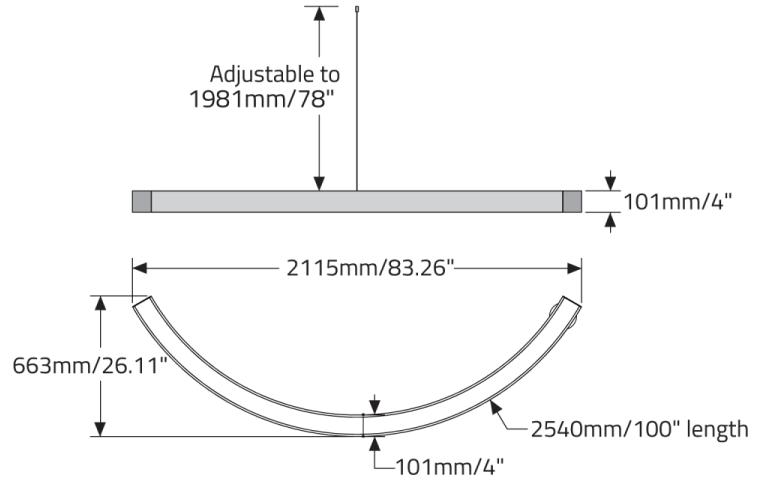
Radius 30"



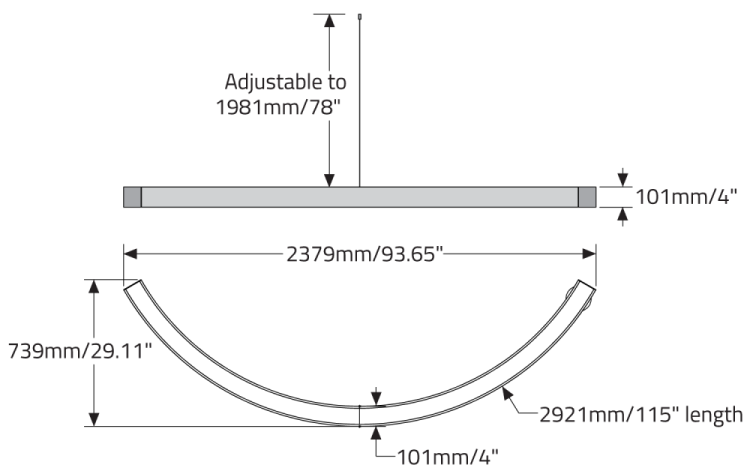
Radius 42"



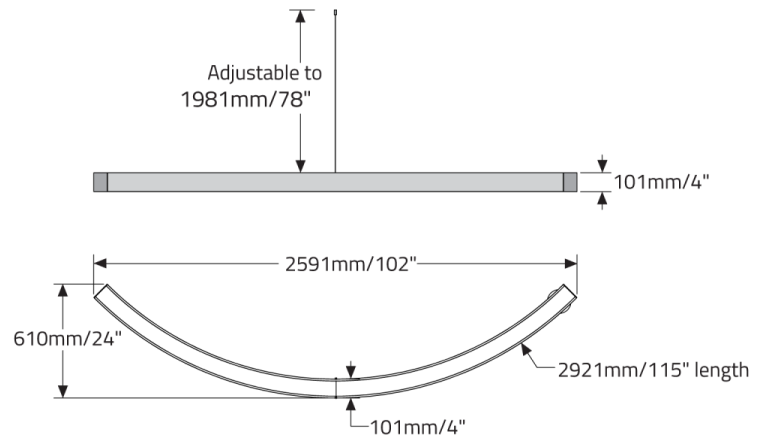
Radius 48"



Radius 54"

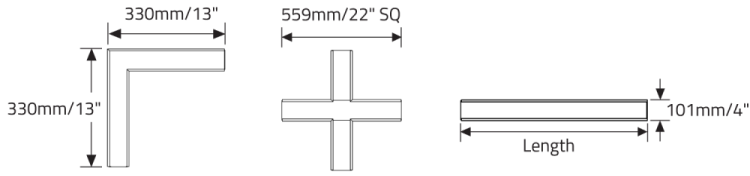


Radius 72"

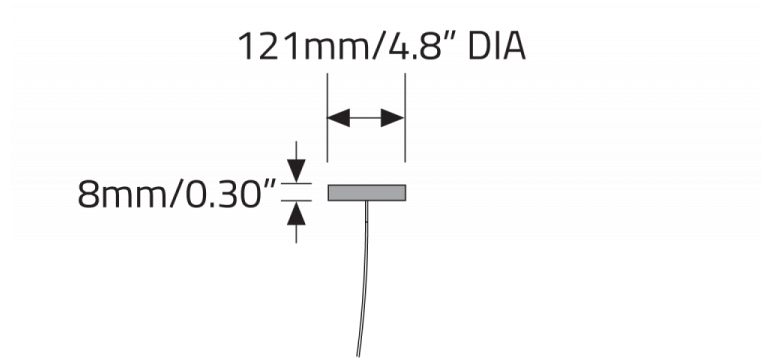


SQUIGGLE™ - CONTINUOUS

Corner, Cross & Straight Sections



Standard Canopy



RGBW / DMX Canopy

