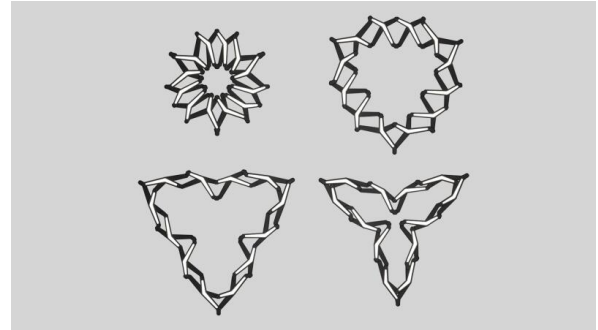




STARBURST TRI™

FULL SPECIFICATION SHEET



FIXTURE TYPE



FIXTURE CODE

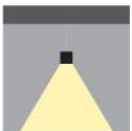


QUANTITIES

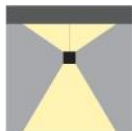
1 DESCRIPTION

STARBURST is a collection of kinetic pendants that when in compact form are semblant of stars which can then manually expand into a larger circle, triangle, or quad. Starburst can adapt to either organic or cosmic interior designs. The overlapping and interlacing of multiple brackets create contours that resemble elements of nature and can evoke feelings of well-being and positivity. The angularity of the brackets and diffusers complement futuristic themes that communicate innovation, high-tech, and the avant-garde. As a single pendant, Starburst acts as an illuminated art piece. When multiplied and layered, a celestial effect is created. To learn more watch the Deep Dive in image gallery.

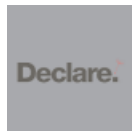
2 OPTICS & FEATURES



Suspended
Direct



Suspended
Direct/Indirect



Declare

3 APPROVALS



DAMP
LOCATION



IP20

4 GENERAL SPECIFICATION

BODY AND TRIM

Die-cast aluminum.

FINISH

Powder coated.

SUSPENSION

Power over cable.

REMOTE EMERGENCY SYSTEM

Emergency option provides a 1.5 hour (3 hours for EU) emergency lighting facility. The self contained system includes the inverter module, NiCad batteries, LED charge indicator and test switch (NA only). Not available with a 347V supply.

MECHANICAL

Mounts directly over a 4" electrical junction box (by others - North America only).

SENSORS

Consult factory regarding sensor compatibility.

ESTIMATED L70 @25°C (77°F)

> 235,000 hrs.

APPROVALS

Damp Rated.

DESIGN

US Pat. No. D882,862.

US Pat. No. D895,196, D893,796 and D894,474

SUSTAINABILITY

Designed for on-site LED board, driver, and optic replacement.

Contact the factory for maintenance documentation.

LENS

Acrylic.

REMOTE MOUNTING OF DRIVERS

Wire Size 18 AWG - Max distance (from canopy to drivers) 9.5' (3m), Wire size 16 AWG - Max distance 19.5' (6m), Wire size 14 AWG - Max distance 29.5' (9m). Drivers must be accessible after installation. For longer remote distances, consult factory.

DRIVERS

Remote, HPF electronic for 120-277V, (EU-240V).

REPORTED L70 @25°C (77°F)

> 102,000 hrs.

DELIVERED LUMENS

Delivered lumens & LPW based on 4000K CRI 90+.

DESIGNED BY

Jacob Antoni

SEISMIC BRACING

Seismic bracing kits are available to meet compliance requirements. Consult the factory for details.

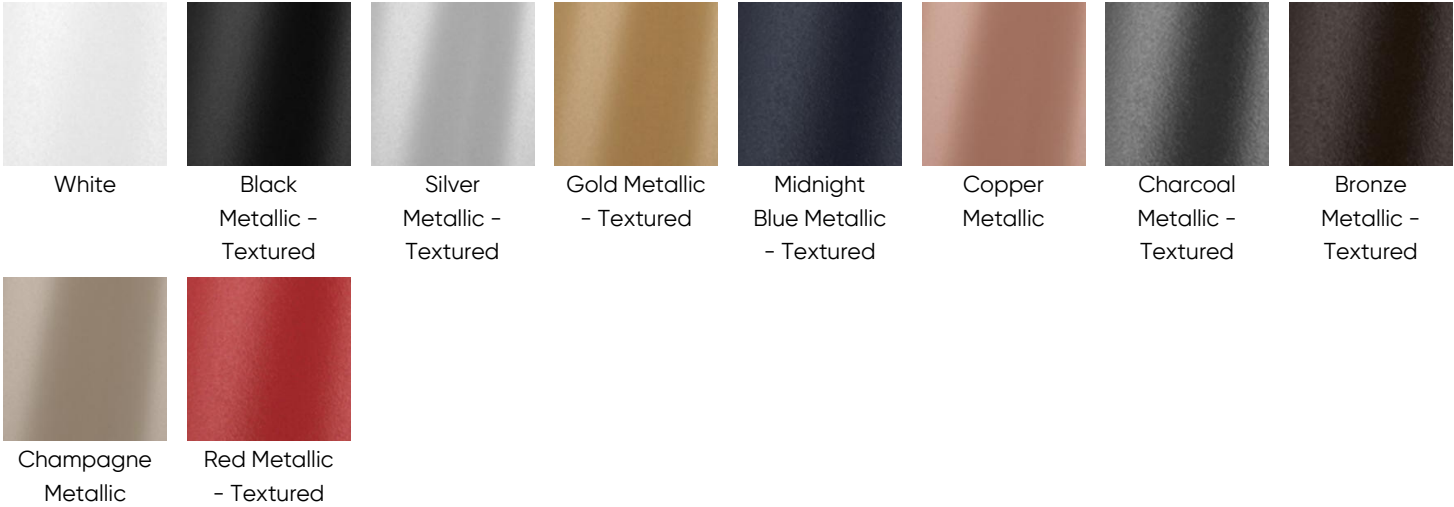
5 DESIGN OPTIONS

FINISH FIXTURE



¹ Wood grain finishes may incur longer lead times and setup charges. Consult factory for details.

FINISH CANOPY



6 HOW TO ORDER

<p>LUMINAIRE</p> <p>STRT1P01 Direct, 7700 lms, 54 LPW STRT2P01 Direct/Indirect, 12800 lms, 54 LPW</p>	<p>CRI</p> <p>CR90 CRI 90+</p>	<p>CCT</p> <p>CTA30 3000K CTA35 3500K CTA40 4000K</p>	<p>VOLTAGE</p> <p>V1 120/277V V2 240V ¹ V3 347V ²</p> <p><small>¹ Not available in North America. ² Only available with DA01.</small></p>
<p>DIMMING</p> <p>DA01 0-10V Dimming 1.0% DA02 0-10V Dimming 0.1% ¹ DA20 DALI Dimming 0.1% ¹ DA21 DALI Dimming 1.0% ¹ DA30 DSI/switchDim ²</p> <p><small>¹ Not available with V3. ² Not available in North America.</small></p>	<p>FINISH</p> <p>FA01 White FA02 Black Metallic - Textured FA20 Silver Metallic - Textured FA25 Gold Metallic - Textured FA27 Wood grain - Light Cherry ¹ FA28 Wood grain - Dark Walnut ¹ FA30 Wood grain - White Oak ¹ FA44 Midnight Blue Metallic - Textured FA45 Copper Metallic FA46 Charcoal Metallic - Textured FA47 Bronze Metallic - Textured FA52 Champagne Metallic FA53 Red Metallic - Textured</p> <p><small>¹ Wood grain finishes may incur longer lead times and setup charges. Consult factory for details.</small></p>	<p>CANOPY FINISH</p> <p>CF01 White CF02 Black Metallic - Textured CF20 Silver Metallic - Textured CF25 Gold Metallic - Textured CF44 Midnight Blue Metallic - Textured CF45 Copper Metallic CF46 Charcoal Metallic - Textured CF47 Bronze Metallic - Textured CF52 Champagne Metallic CF53 Red Metallic - Textured</p>	<p>CIRCUITS</p> <p>CS1 Single circuit CS2 Dual circuit</p>
<p>EMERGENCY</p> <p>E0 Not required E2 Emergency system - Remote</p>			

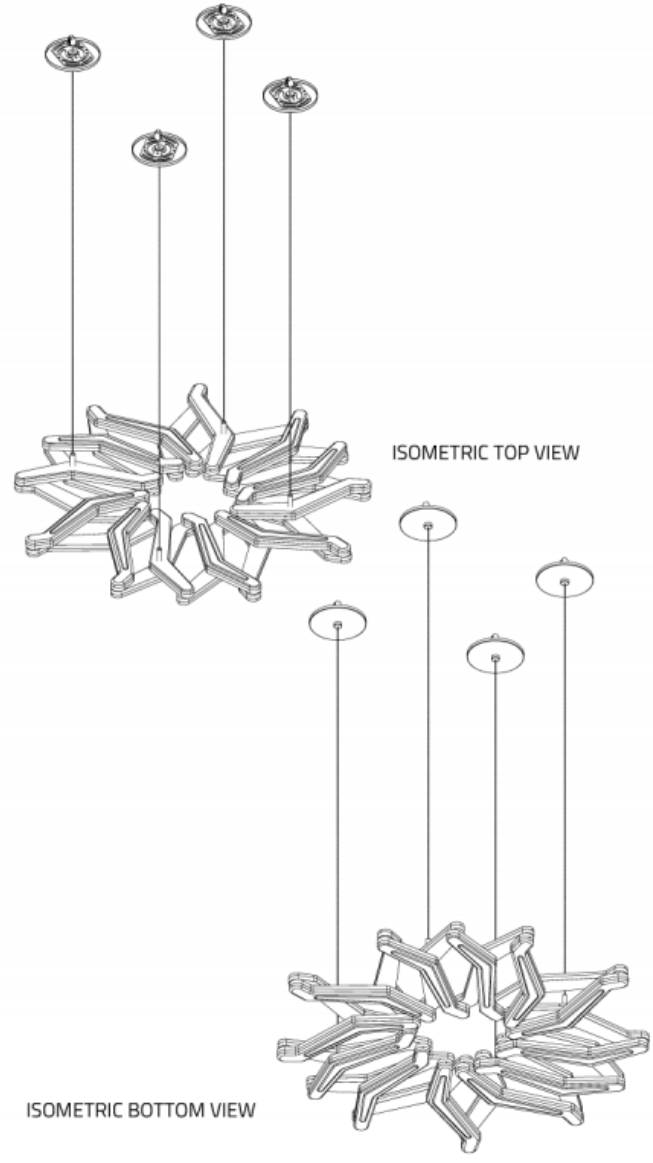
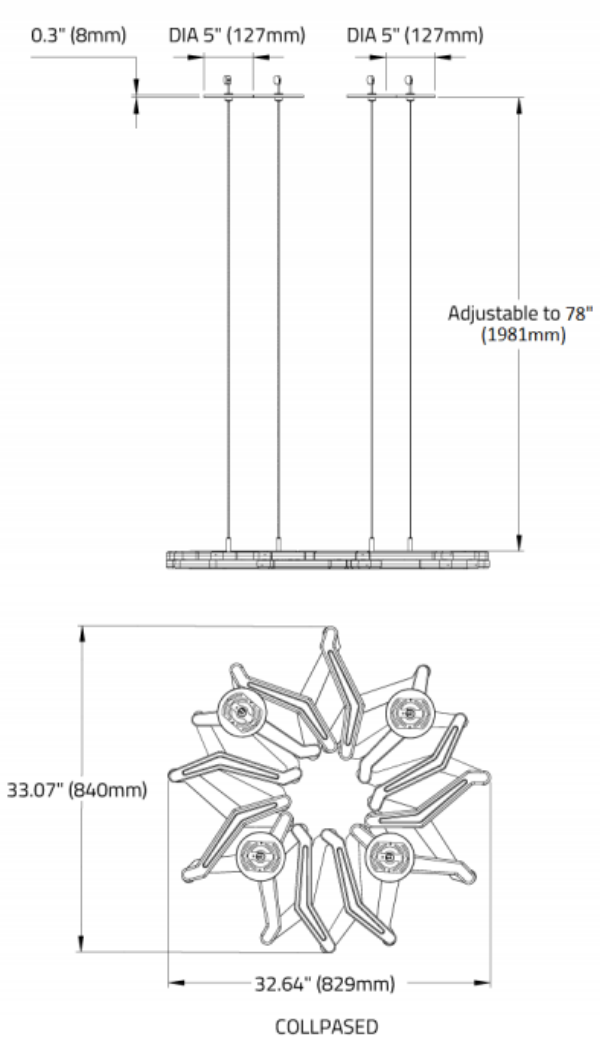
7 TECHNICAL DATA

LUMINAIRE

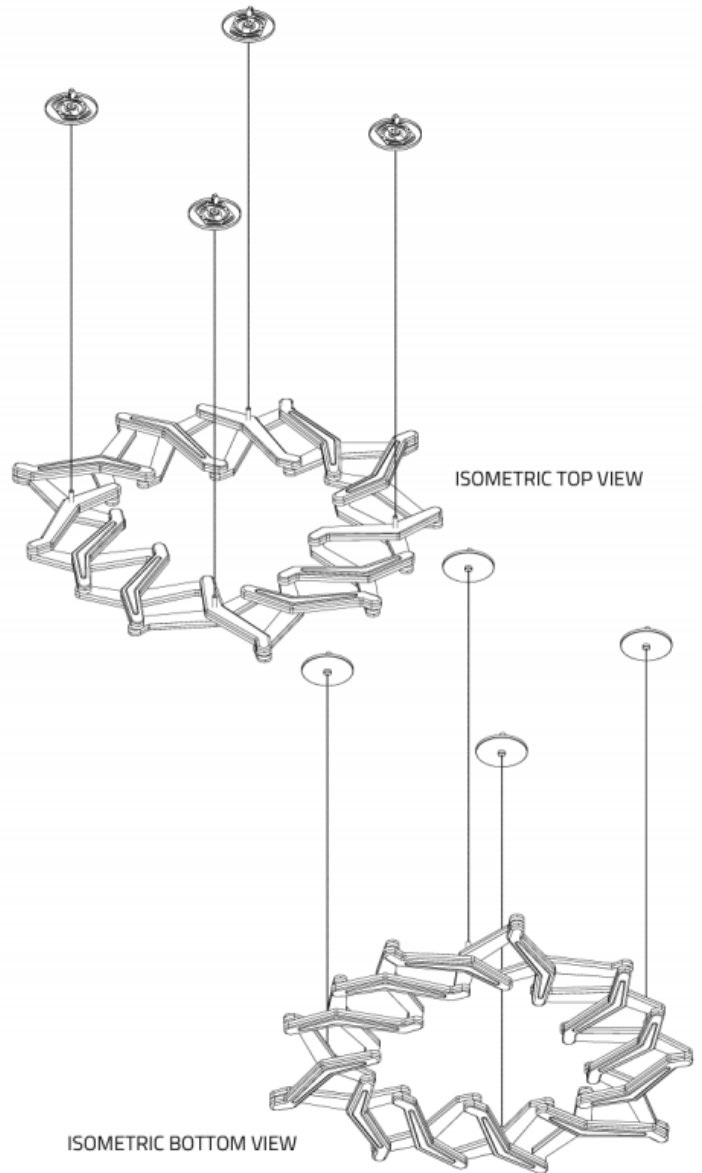
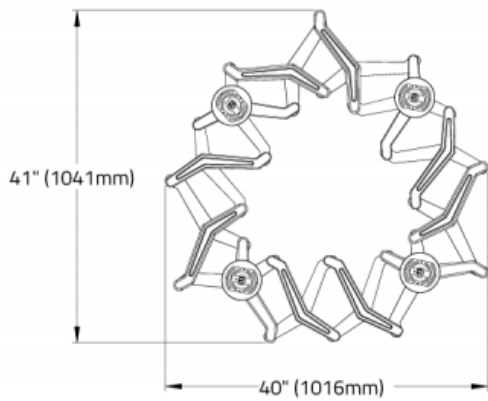
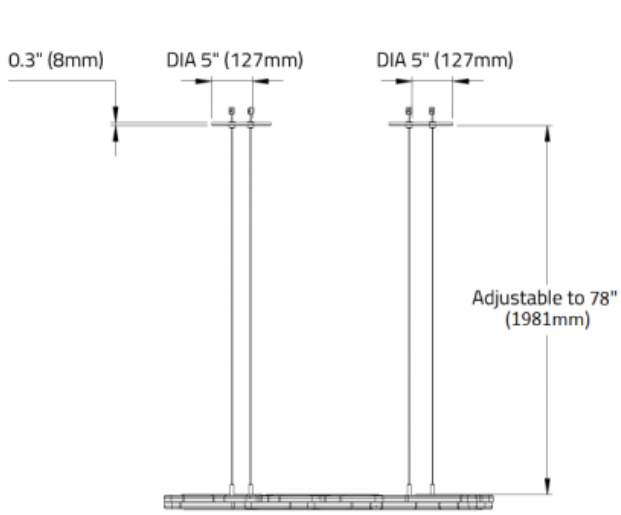
Code	STRT1P01	STRT2P01
Light Direction	Direct	Direct/Indirect
Delivered lms	7700	12800
LPW	54	54

8 DIMENSIONAL DIAGRAMS

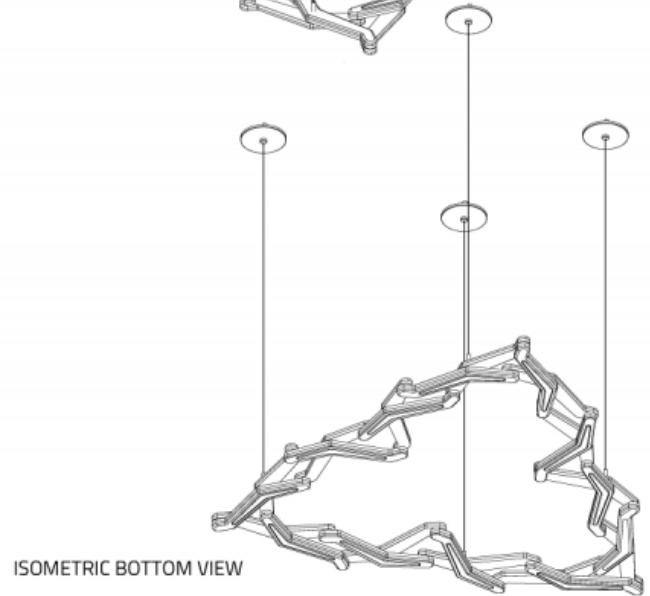
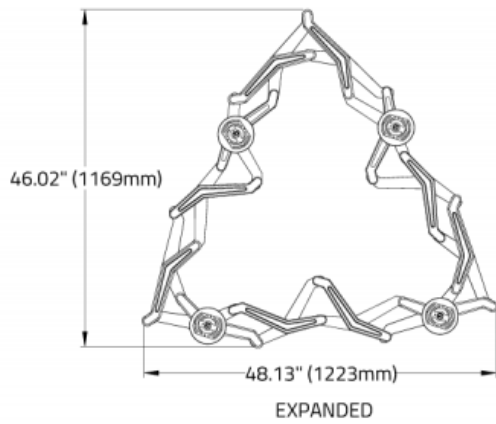
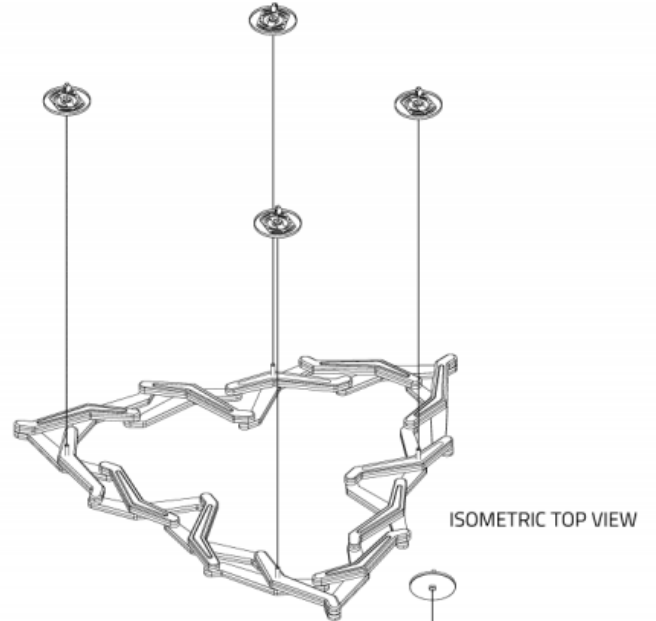
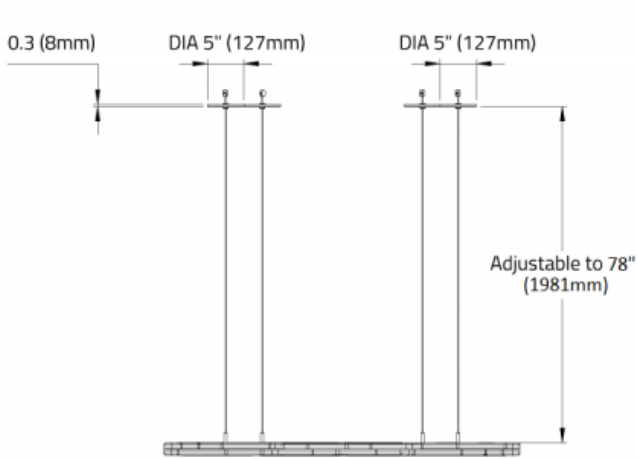
COLLAPSED



PARTIAL EXPANSION



EXPANDED (TRIANGLE)



HYPER EXPANDED (TRILLIUM)

