

STARBURST QUAD™ - SUSPENDED

Project Name:

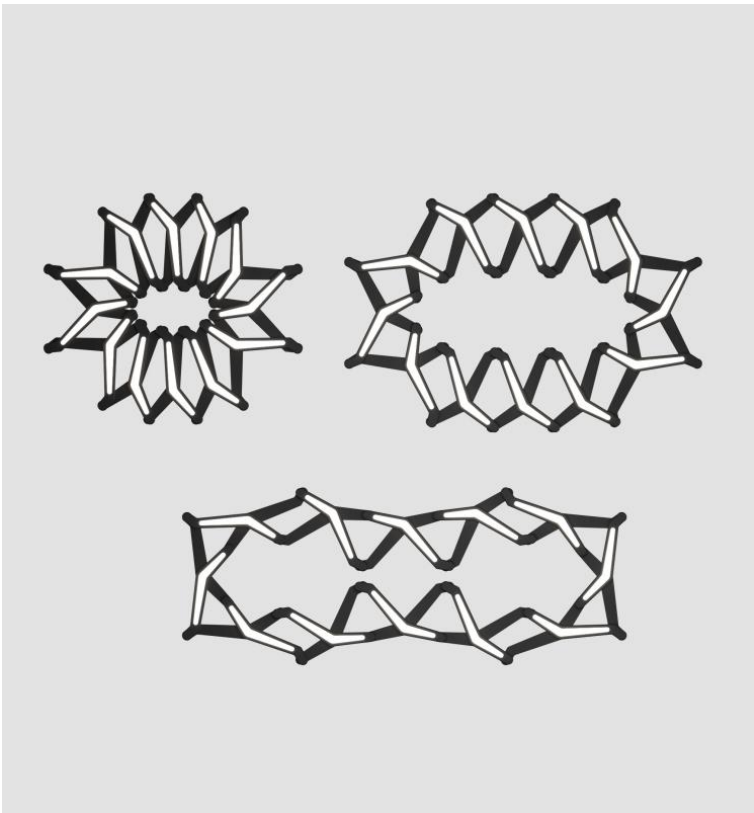
Fixture Type:

Fixture Code:

Quantities:



STARBURST QUAD™ - SUSPENDED



STARBURST QUAD™ - SUSPENDED

Starburst is a collection of kinetic pendants that when in compact form are semblant of stars which can then manually expand into a larger circle, triangle, or quad. Starburst can adapt to either organic or cosmic interior designs. The overlapping and interlacing of multiple brackets create contours that resemble elements of nature and can evoke feelings of well-being and positivity. The angularity of the brackets and diffusers complement futuristic themes that communicate innovation, high-tech, and the avant-garde. As a single pendant, Starburst acts as an illuminated art piece. When multiplied and layered, a celestial effect is created. To learn more watch the Deep Dive in image gallery.

GENERAL SPECIFICATION

Body and Trim

Die-cast aluminum.

Suspension

Power over cable.

Remote emergency system

Emergency option provides a 1.5 hour (3 hours for EU) emergency lighting facility. The self contained system includes the inverter module, NiCad batteries, LED charge indicator and test switch (NA only). Not available with a 347V supply.

Mechanical

Mounts directly over a 4" electrical junction box (by others - North America only).

Sensors

Consult factory regarding sensor compatibility.

Approvals

Damp Rated.

Estimated L70 @25°C (77°F)

> 235,000 hrs.

Design

US Pat. No. D882,862.

US Pat. No. D895,196, D893,796 and D894,474

Finish

Powder coated.

Diffuser

Acrylic.

Remote mounting of drivers

Wire Size 18 AWG - Max distance (from canopy to drivers) 9.5' (3m), Wire size 16 AWG - Max distance 19.5' (6m), Wire size 14 AWG - Max distance 29.5' (9m). Drivers must be accessible after installation.

Drivers

Remote, HPF electronic for 120-277V, (EU-240V).

Delivered lumens

Delivered lumens & LPW based on 4000K CRI 90+.

Reported L70 @25°C (77°F)

> 102,000 hrs.

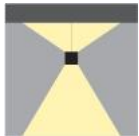
Designed by

Jacob Antoni

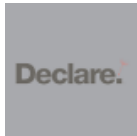
MOUNTING & OPTICS



Suspended Direct



Suspended Direct/Indirect



Declare



STARBURST QUAD™ - SUSPENDED

HOW TO ORDER

A. LUMINAIRE

STRQ1P01 Direct, 7700 lms, 54 LPW

STRQ2P01 Direct/Indirect, 12800 lms, 54 LPW

B. CRI

CR90 CRI 90+

C. CCT

CTA30 3000K

CTA35 3500K

CTA40 4000K

D. VOLTAGE

V1 120/277V

V2 240V¹

V3 347V²

¹ Not available in North America.

² Only available with DA01.

E. DIMMING

DA01 0-10V Dimming 1.0%

DA02 0-10V Dimming 0.1%¹

DA20 DALI Dimming 0.1%¹

DA21 DALI Dimming 1.0%¹

DA30 DSI/switchDim²

¹ Not available with V3

² Not available in North America

F. FINISH

FA01 White

FA02 Black Metallic - Textured

FA20 Silver Metallic - Textured

FA25 Gold Metallic - Textured

FA27 Wood grain - Light Cherry¹

FA28 Wood grain - Dark Walnut¹

FA44 Midnight Blue Metallic - Textured

FA45 Copper Metallic

FA46 Charcoal Metallic - Textured

FA47 Bronze Metallic - Textured

FA52 Champagne Metallic

FA53 Red Metallic - Textured

¹ Longer than normal lead times may apply, consult factory.

G. CANOPY FINISH

CF01 White

CF02 Black Metallic - Textured

CF20 Silver Metallic - Textured

CF25 Gold Metallic - Textured

CF44 Midnight Blue Metallic - Textured

CF45 Copper Metallic

CF46 Charcoal Metallic - Textured

CF47 Bronze Metallic - Textured

CF52 Champagne Metallic

CF53 Red Metallic - Textured

H. CIRCUITS

CS1 Single circuit

CS2 Dual circuit

I. EMERGENCY

E0 Not required

E2 Emergency system - Remote



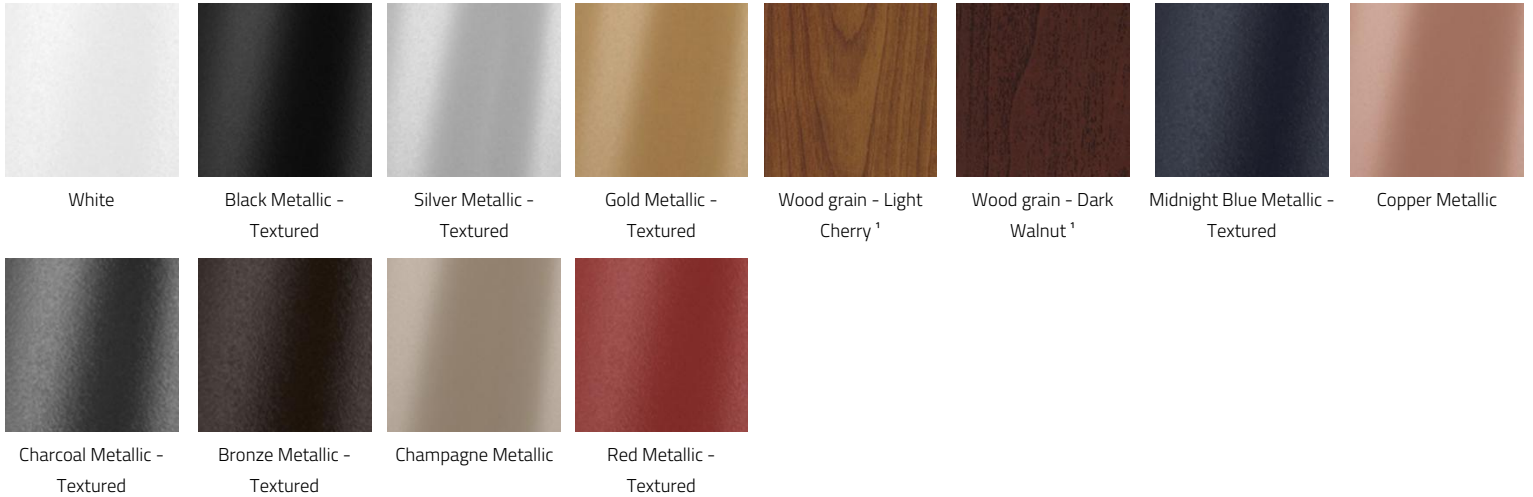
STARBURST QUAD™ - SUSPENDED

TECHNICAL DATA

LUMINAIRE

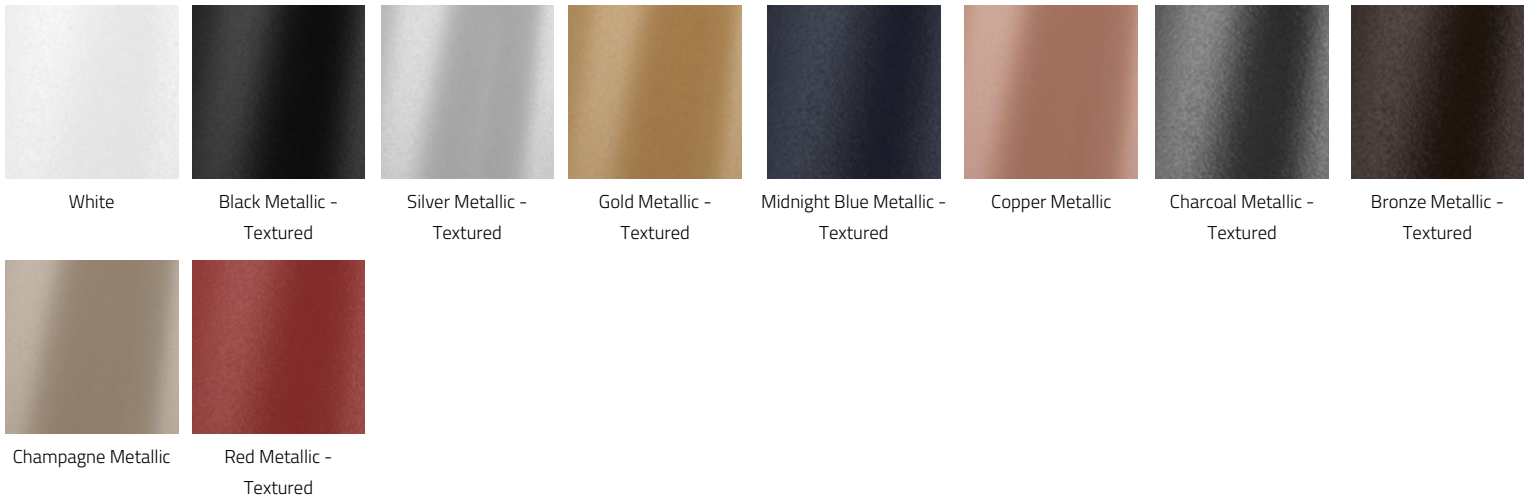
Code	STRQ1P01	STRQ2P01
Light Direction	Direct	Direct/Indirect
Delivered lms	7700	12800
LPW	54	54

FINISH - FIXTURE



¹ Longer than normal lead times may apply, consult factory.

FINISH - CANOPY



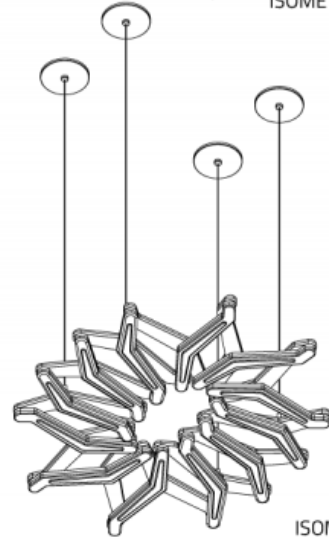
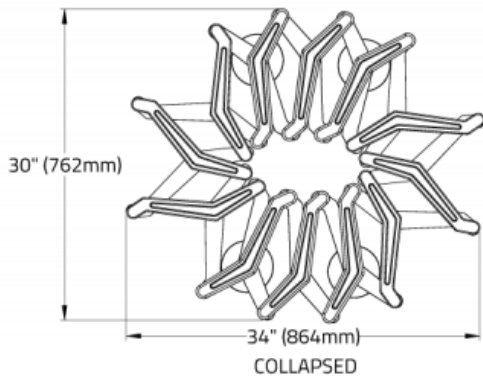
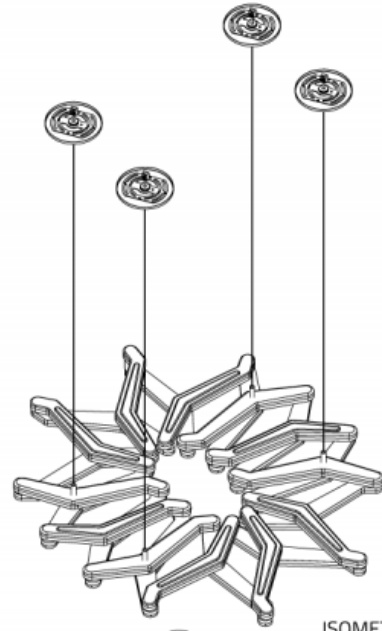
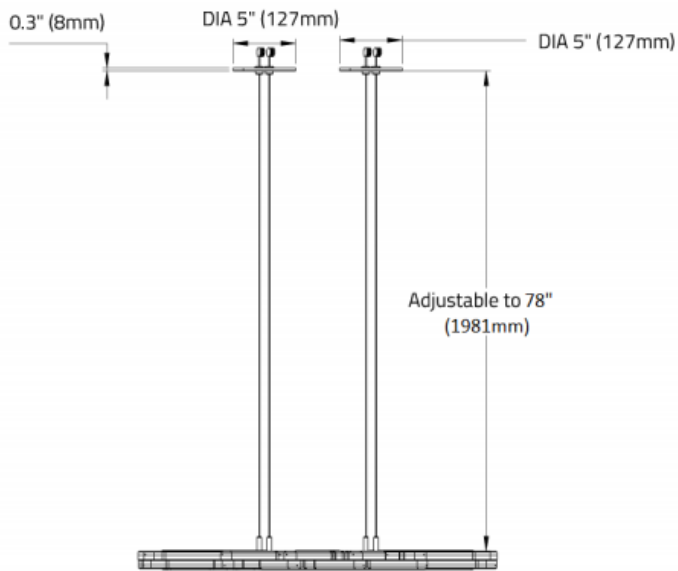
APPROVALS



STARBURST QUAD™ - SUSPENDED

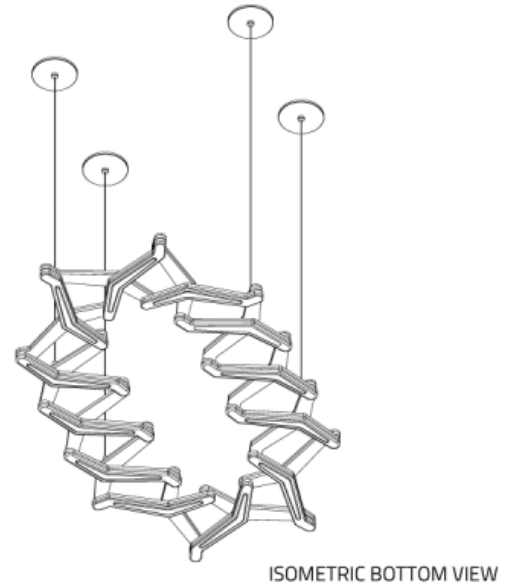
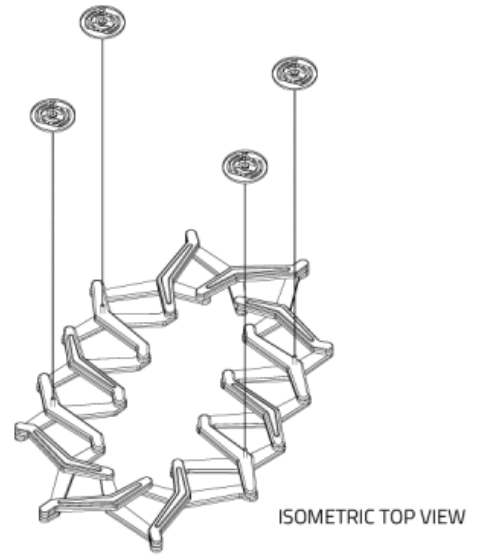
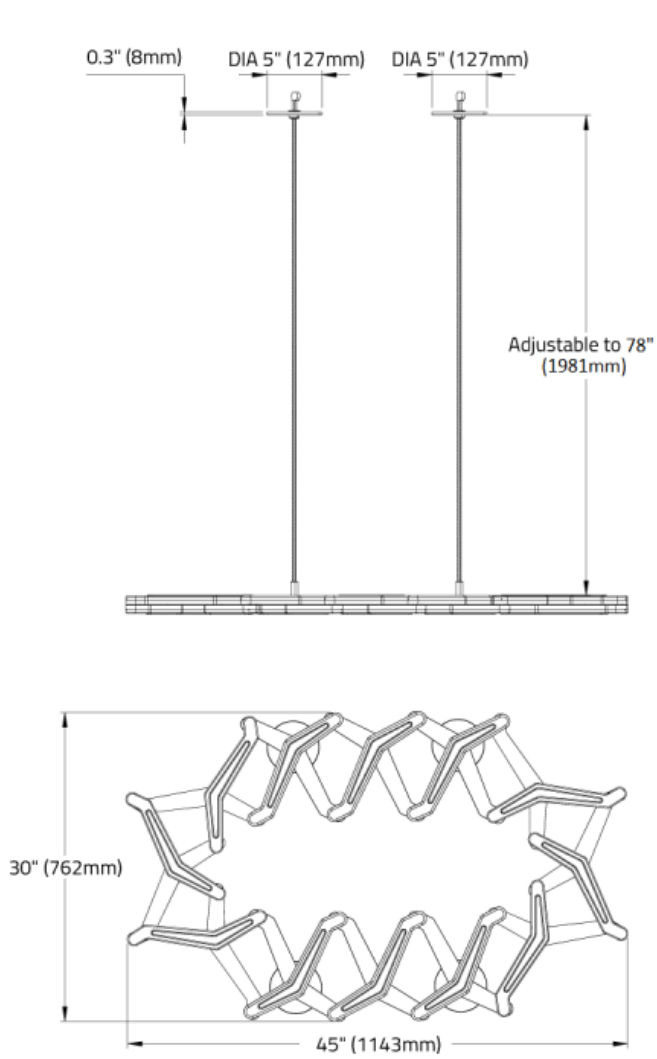
DIMENSIONAL DIAGRAMS

COLLAPSED



STARBURST QUAD™ - SUSPENDED

PARTIAL EXPANSION



STARBURST QUAD™ - SUSPENDED

FULLY EXPANDED

