

# STARBURST QUAD™ - SUSPENDED



Project Name:

Fixture Type:

Fixture Code:

Quantities:

## A. LUMINAIRE

**STRQ1P01** Direct, 7700 lms, 54 LPW

**STRQ2P01** Direct/Indirect, 12800 lms, 54 LPW

## B. CRI

**CR90** CRI 90+

## C. CCT

**CTA30** 3000K

**CTA35** 3500K

**CTA40** 4000K

## D. VOLTAGE

**V1** 120/277V

**V2** 240V <sup>1</sup>

**V3** 347V <sup>2</sup>

<sup>1</sup> Not available in North America.

<sup>2</sup> Only available with DA01.

## E. DIMMING

**DA01** 0-10V Dimming 1.0%

**DA02** 0-10V Dimming 0.1% <sup>1</sup>

**DA20** DALI Dimming 0.1% <sup>1</sup>

**DA21** DALI Dimming 1.0% <sup>1</sup>

**DA30** DSI/switchDim <sup>2</sup>

<sup>1</sup> Not available with V3

<sup>2</sup> Not available in North America

## F. FINISH

**FA01** White

**FA02** Black Metallic - Textured

**FA20** Silver Metallic - Textured

**FA25** Gold Metallic - Textured

**FA27** Wood grain - Light Cherry <sup>1</sup>

**FA28** Wood grain - Dark Walnut <sup>1</sup>

**FA44** Midnight Blue Metallic - Textured

**FA45** Copper Metallic

**FA46** Charcoal Metallic - Textured

**FA47** Bronze Metallic - Textured

**FA52** Champagne Metallic

**FA53** Red Metallic - Textured

<sup>1</sup> Longer than normal lead times may apply, consult factory.

## G. CANOPY FINISH

**CF01** White

**CF02** Black Metallic - Textured

**CF20** Silver Metallic - Textured

**CF25** Gold Metallic - Textured

**CF44** Midnight Blue Metallic - Textured

**CF45** Copper Metallic

**CF46** Charcoal Metallic - Textured

**CF47** Bronze Metallic - Textured

**CF52** Champagne Metallic

**CF53** Red Metallic - Textured

## H. CIRCUITS

**CS1** Single circuit

**CS2** Dual circuit

## I. EMERGENCY

**E0** Not required

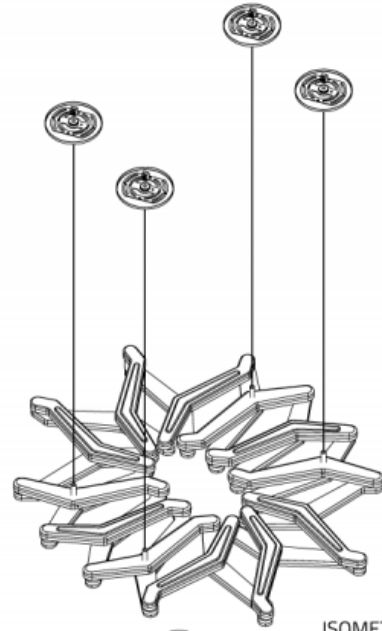
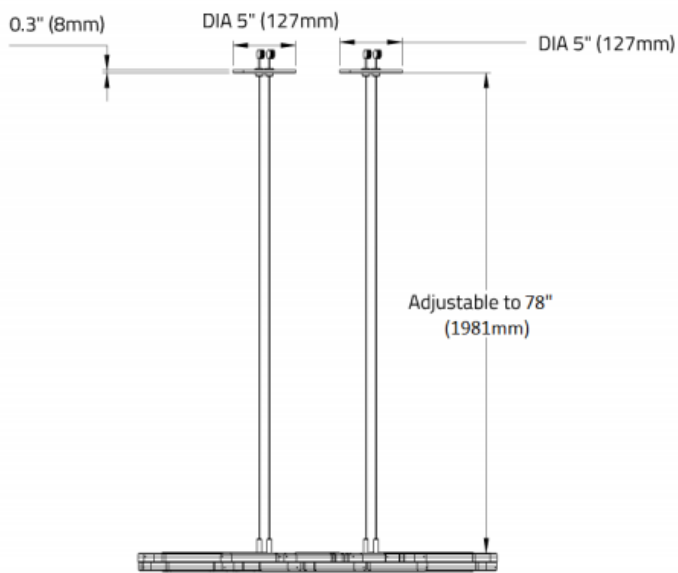
**E2** Emergency system - Remote



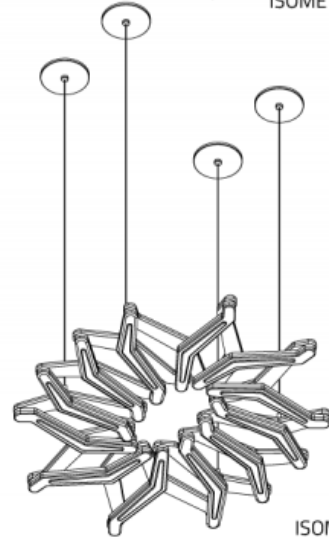
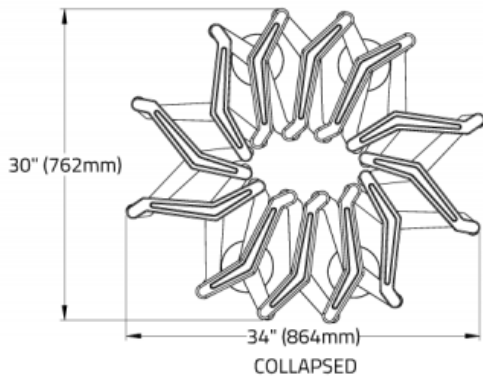
# STARBURST QUAD™ - SUSPENDED

## DIMENSIONAL DIAGRAMS

COLLAPSED



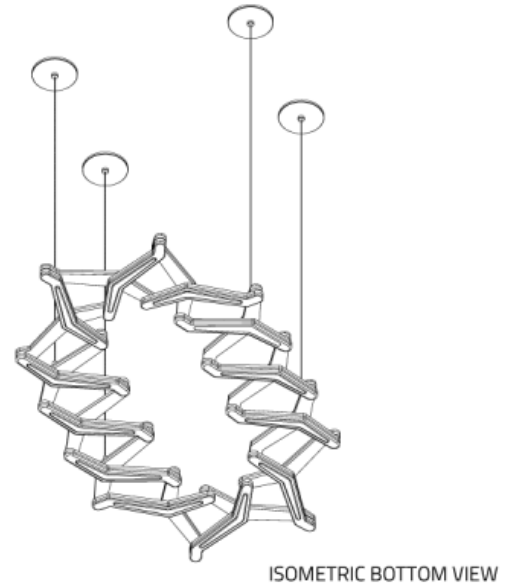
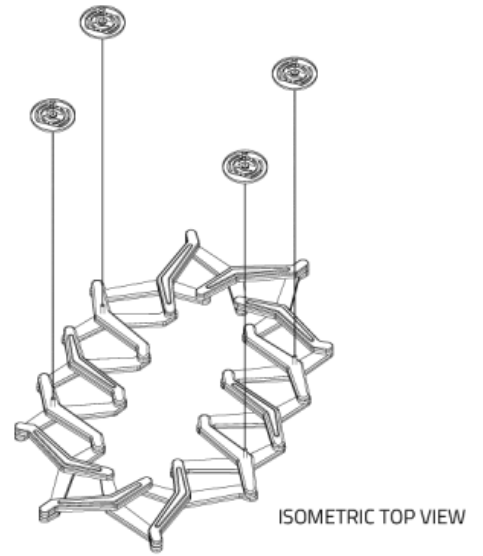
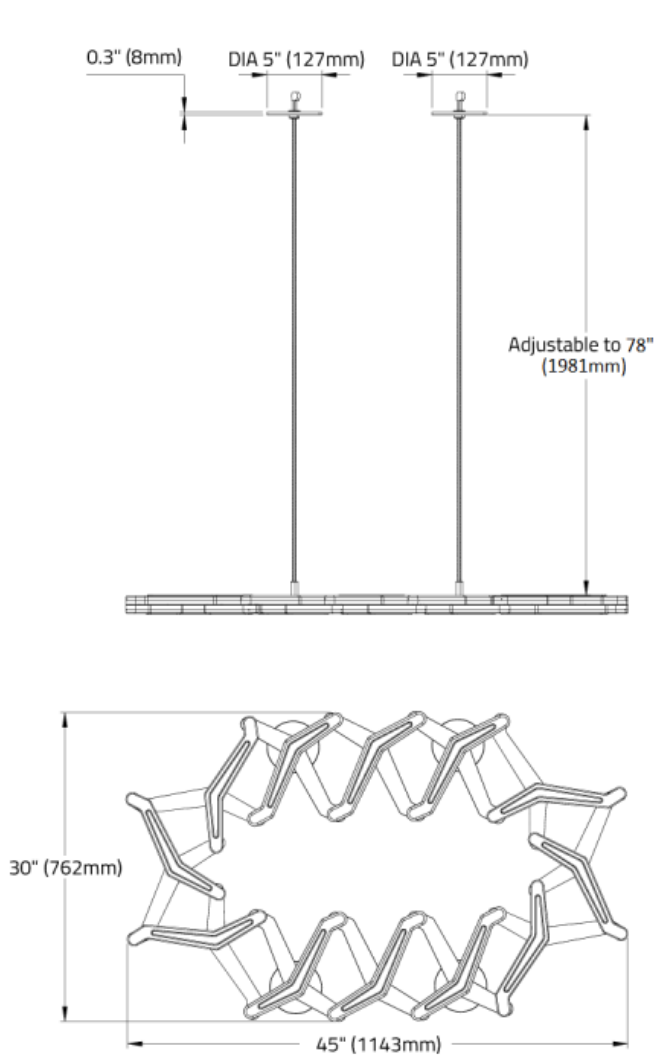
ISOMETRIC TOP VIEW



ISOMETRIC BOTTOM VIEW

# STARBURST QUAD™ - SUSPENDED

PARTIAL EXPANSION



# STARBURST QUAD™ - SUSPENDED

FULLY EXPANDED

