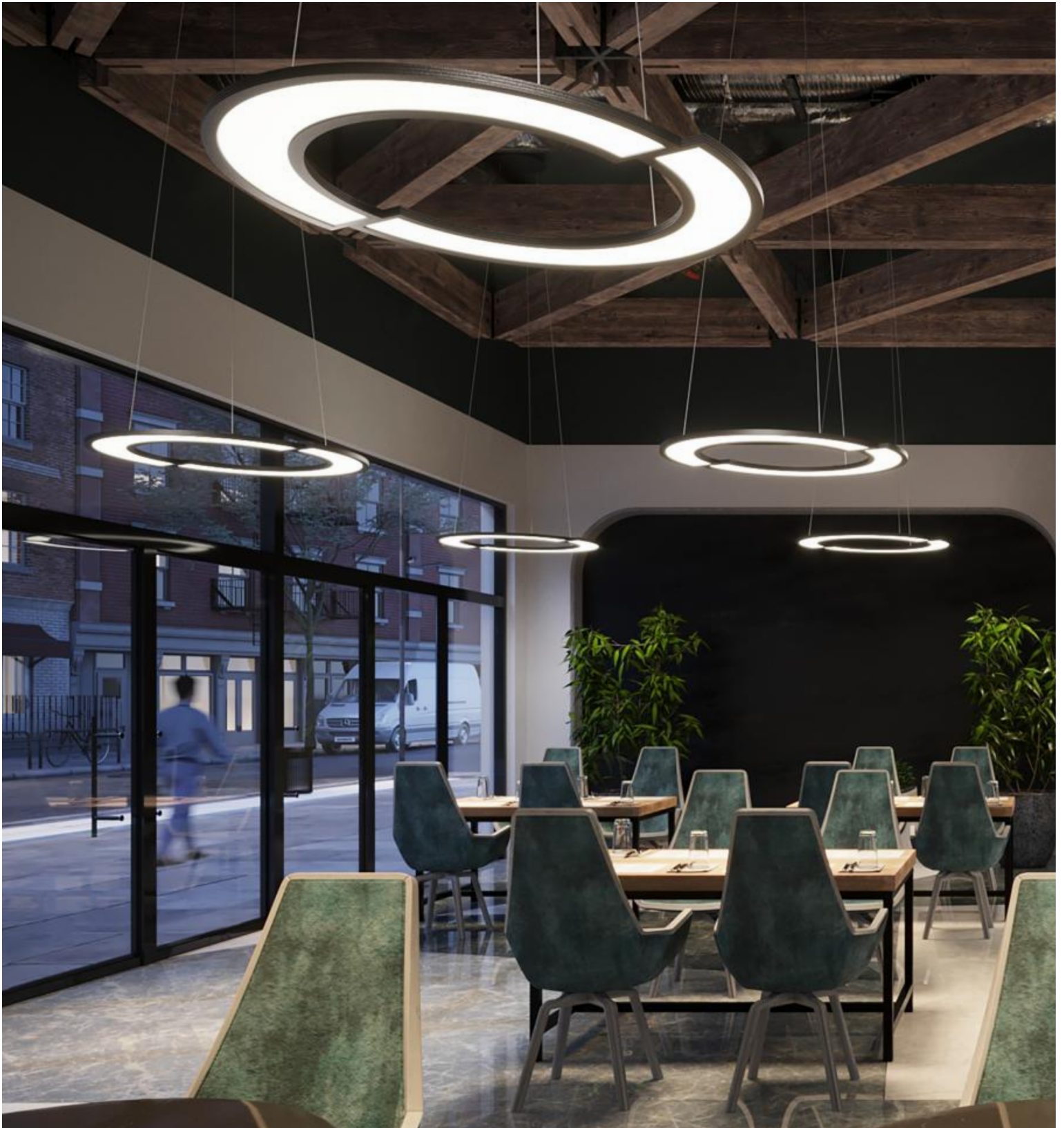


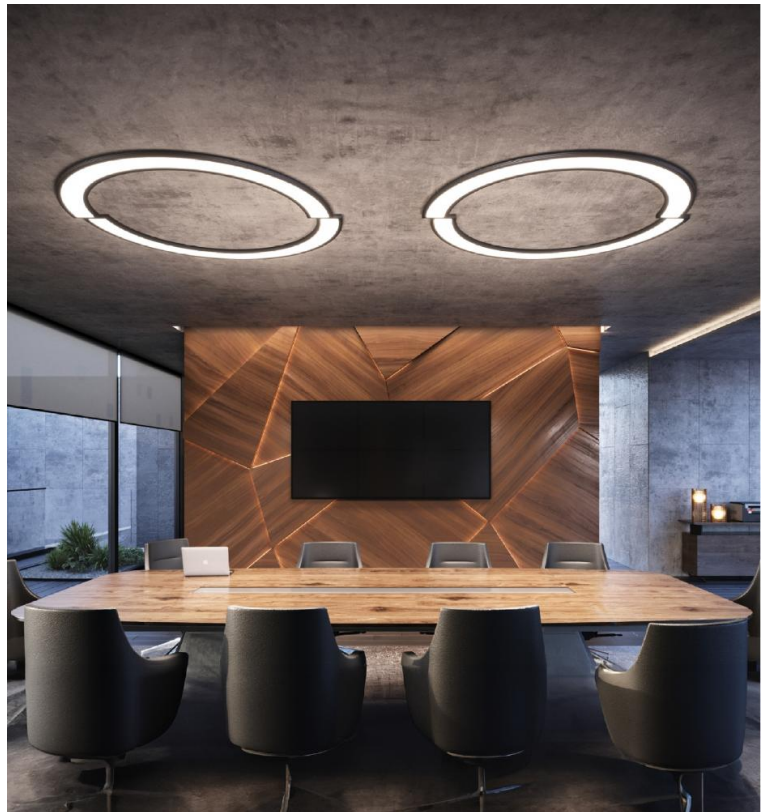
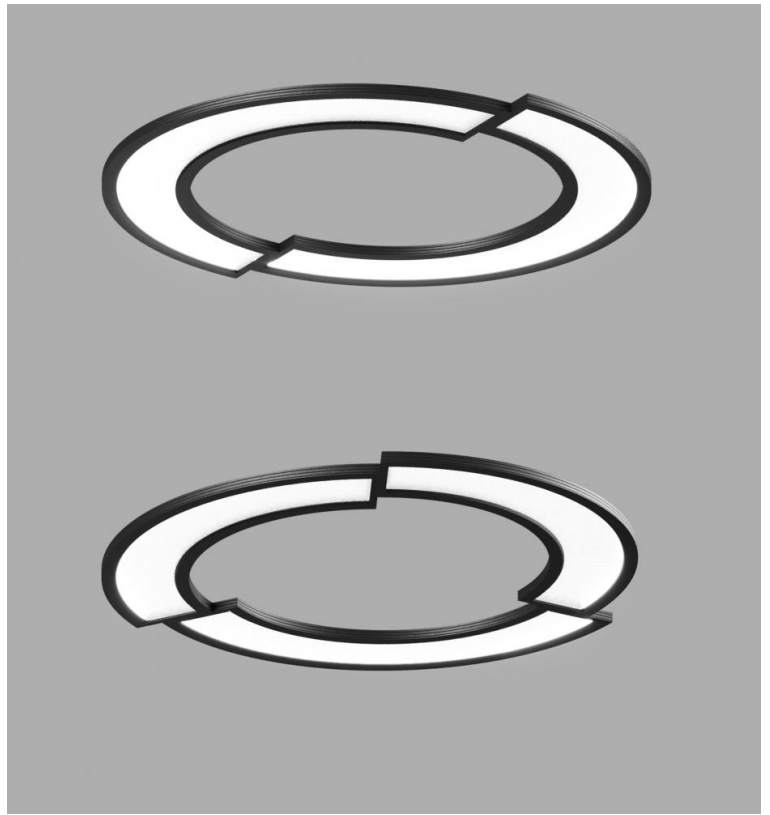
Project Name:

Fixture Type:

Fixture Code:

Quantities:





SWITCH™

The **SWITCH** series redefines circular lighting with a sleek 3/4" profile and arcs arranged in an offset pattern, creating a captivating visual effect. This design merges aesthetics with functionality, turning the luminaire into a striking feature in any space. With its modern silhouette and ambient glow, **SWITCH** transforms lighting into an art form, balancing innovative design with exceptional performance. The **SWITCH** series stands at the intersection of design innovation and lighting, reshaping perceptions of light's role in spaces.

GENERAL SPECIFICATION

Body and trim

Steel and aluminum.

Suspension

P.O.S. Power over suspension cable.

Remote Emergency system

Emergency option provides a 1.5 hour (3 hours for EU) emergency lighting facility.

The remote system includes the inverter module, NiCad batteries and a remote wall/ceiling LED charge indicator and test switch (NA only) Maximum distance between wall/ceiling plate and luminaire is 15' (4.5m). Test switch fits a single gang box (not supplied).

PoE

Ring can integrate into your data network via Power over Ethernet (PoE) connectivity.

Delivered Lumens

Delivered lumens & LPW based on 4000K (min 90 CRI).

Approvals

Damp Location (Indoor use only).

Designed by

Mirko Rotondi

Finish

Powder coated.

Diffusers

Opal acrylic.

Drivers

Remote, HPF electronic drivers for 120-277V (EU-240V) dimming. Wire size 18 AWG - max distance (from fixture to drivers) 40' (12.2m), wire size 16 AWG - max distance 60' (18.3m), wire size 14 AWG - max distance 90' (27.4m). Drivers must be accessible after installation. Drivers are either remote mounted or integral to the canopy.

Mechanical

Luminaires mount directly over J box (by others - North America only).

Reported L70 @25°C (77°F)

> 50,000 hrs.

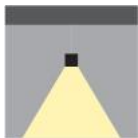
Design

US Design Patent Pending.

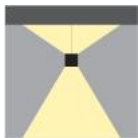
DESIGN

US Pat. No. D1,024,402

MOUNTING & OPTICS



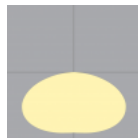
Suspended Direct



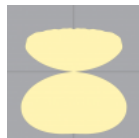
Suspended Direct/Indirect



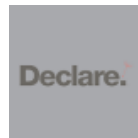
Ceiling Direct



Direct



Dir-Indirect



Declare



PoE



SWITCH™

HOW TO ORDER

A. LUMINAIRE TYPE

WTHP Pendant

WTHC Ceiling

B. DIAMETER

SL03 3ft, 9700 lms

SL04 4ft, 13000 lms

SL05 5ft, 16400 lms

SL06 6ft, 19400 lms

SL07 7ft, 20300 lms

C. DISTRIBUTION

DRO Direct 100%

DR2 Direct 50% / Indirect 50%

D. NUMBER OF SECTIONS

NS02 2 Sections

NS03 3 Sections

E. LM/FT (DIRECT)

LPF040 400 lm/ft¹

LPF060 600 lm/ft^{1 2}

LPF080 800 lm/ft^{1 2}

LPF100 1000 lm/ft²

¹ 100% Direct light

² 54% Direct light/46% Indirect light

F. CRI

CR90 CRI 90+

G. CCT

CTA27 2700K¹

CTA30 3000K

CTA35 3500K

CTA40 4000K

¹ Longer than normal lead time may apply, consult factory.

H. VOLTAGE

V1 120/277V

V2 240V¹

V3 347V²

V4 Low Voltage³

¹ V2 not available in North America.

² V3 available with DA01 dimming only.

³ V4 available with DA45 dimming only.

I. DIMMING (REMOTE)

DA01 0-10V Dimming 1.0%

DA02 0-10V Dimming 0.1%¹

DA20 DALI Dimming 0.1%¹

DA21 DALI Dimming 1.0%¹

DA30 DSI/switchDim^{1 2}

DA45 PoE³

¹ Not available with V3 or V4.

² DA30 not available in North America

³ DA45 used V4 only.

J. SUSPENSION

SS0 Not required

SS6 POS Vertical, Remote driver

SS7 POS, Hub, Remote driver¹

SS9 POS, Hub, Driver Integral to Canopy¹

¹ Available with V1 (120V) only. The minimum suspension height relative to diameter is as follows: 3ft = 18", 4ft = 24", 5ft = 30", 6ft = 36", 7ft = 42".



K. FIXTURE FINISH

FA01 White

FA44 Midnight Blue Metallic - Textured

FA52 Champagne Metallic

FA02 Black Metallic - Textured

FA45 Copper Metallic

FA53 Red Metallic - Textured

FA20 Silver Metallic - Textured

FA46 Charcoal Metallic - Textured

FA25 Gold Metallic - Textured

FA47 Bronze Metallic - Textured

L. CANOPY FINISH

CF00 Not required

CF25 Gold Metallic - Textured

CF47 Bronze Metallic - Textured

CF01 White

CF44 Midnight Blue Metallic - Textured

CF52 Champagne Metallic

CF02 Black Metallic - Textured

CF45 Copper Metallic

CF53 Red Metallic - Textured

CF20 Silver Metallic - Textured

CF46 Charcoal Metallic - Textured

M. EMERGENCY

E0 Not required

E2 Emergency system - Remote ¹

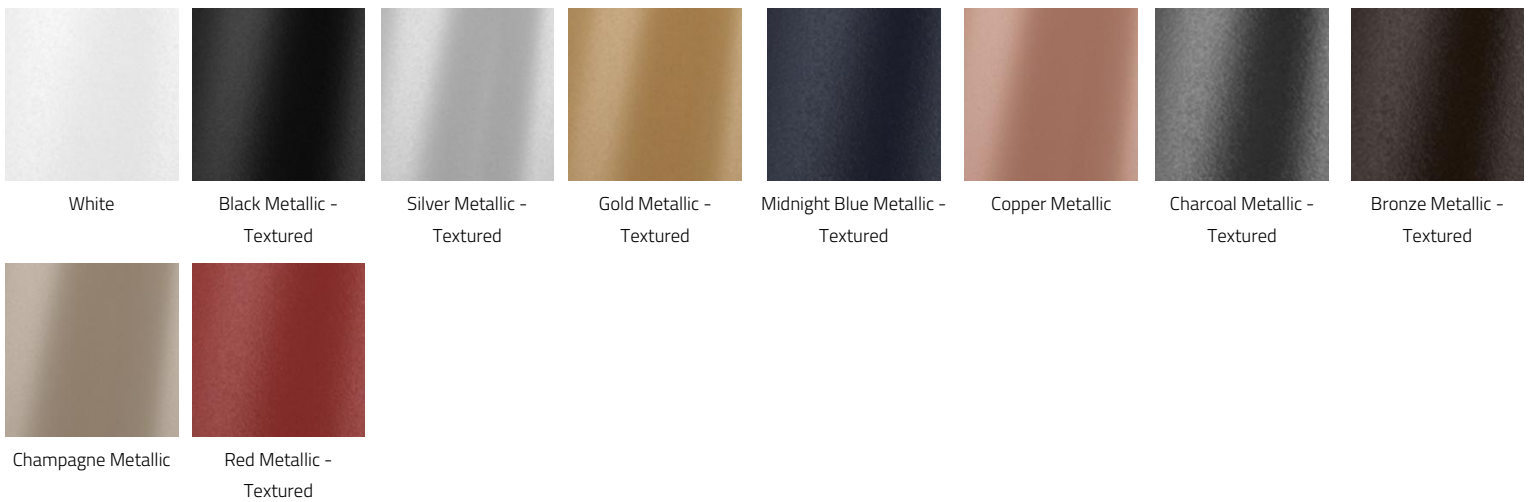
¹ Not available as Integral or with 347V.

TECHNICAL DATA

DIAMETER

Code	SL03	SL04	SL05	SL06	SL07
Dia. (A)	3ft	4ft	5ft	6ft	7ft
Lms/Ft Direct	800	800	800	800	800
Wattage Direct	76	102	129	154	180
Direct lms	7600	10200	12900	15400	18000
LPW Direct	100	100	100	100	100
Down/Up Ratio (Direct)	100/0	100/0	100/0	100/0	100/0
Lms/Ft Direct/Indirect	1000	1000	1000	1000	1000
Watts Direct/Indirect	86	115	145	174	203
Direct/Indirect lms	9700	13000	16400	19400	20300
LPW Direct/Indirect	113	113	113	113	113
Down/Up Ration (D/I)	54/46	54/46	54/46	54/46	54/46

FIXTURE FINISH

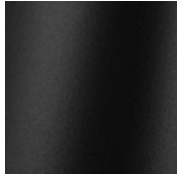


CANOPY FINISH

Not required



White



Black Metallic -
Textured



Silver Metallic -
Textured



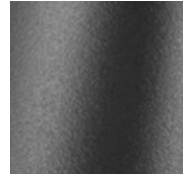
Gold Metallic -
Textured



Midnight Blue Metallic -
Textured



Copper Metallic



Charcoal Metallic -
Textured



Bronze Metallic -
Textured



Champagne Metallic



Red Metallic -
Textured

APPROVALS



DAMP
LOCATION



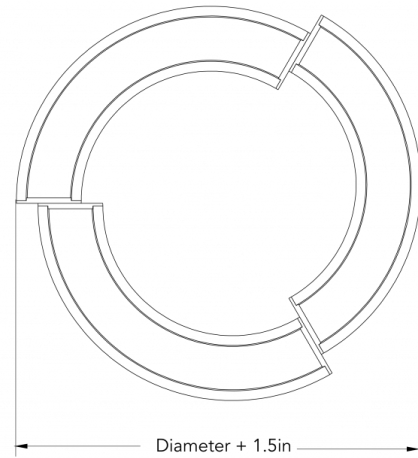
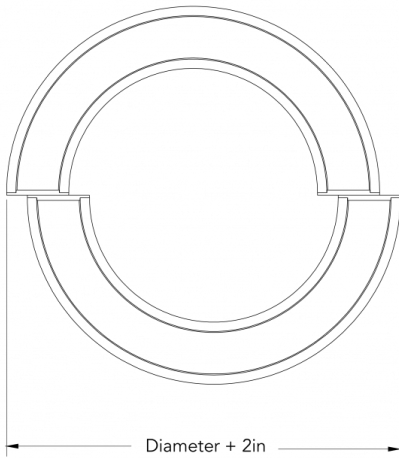
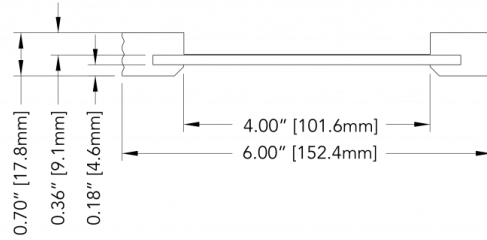
IP20

DIMENSIONAL DIAGRAMS

DISTANCE TO CEILING SURFACE MOUNT



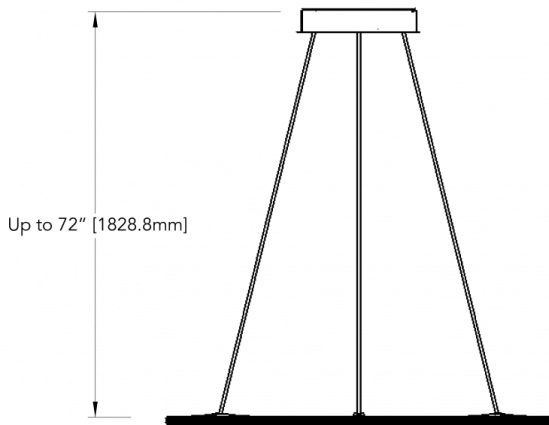
CROSS SECTION



Nominal Diameter	Actual Diameter	Minimum Suspension Height
3ft	38" [965.2mm]	15" [381mm]
4ft	50" [1270mm]	20" [508mm]
5ft	62" [1574.8mm]	25" [635mm]
6ft	74" [1879.6mm]	35" [889mm]
7ft	86" [2184.4mm]	40" [1016mm]

Nominal Diameter	Actual Diameter	Minimum Suspension Height
3ft	37.5" [952.5mm]	15" [381mm]
4ft	49.5" [1257.3mm]	20" [508mm]
5ft	61.5" [1562.1mm]	25" [635mm]
6ft	73.5" [1866.9mm]	35" [889mm]
7ft	85.5" [2171.7mm]	40" [1016mm]

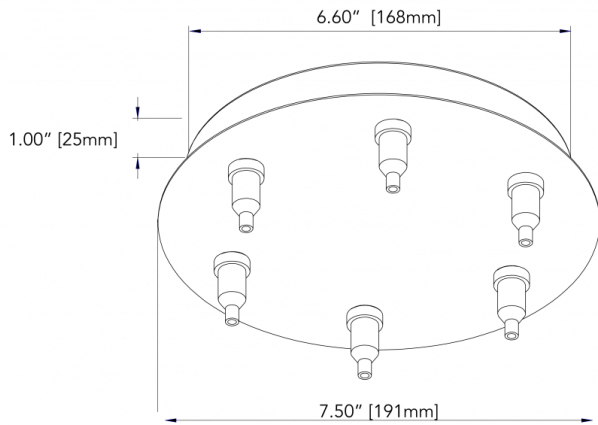
**Distance to ceiling
Hub Mount**



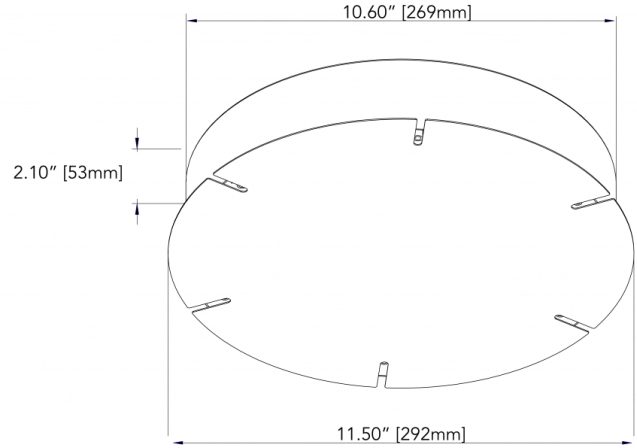
**Distance to ceiling
Vertical Mount**



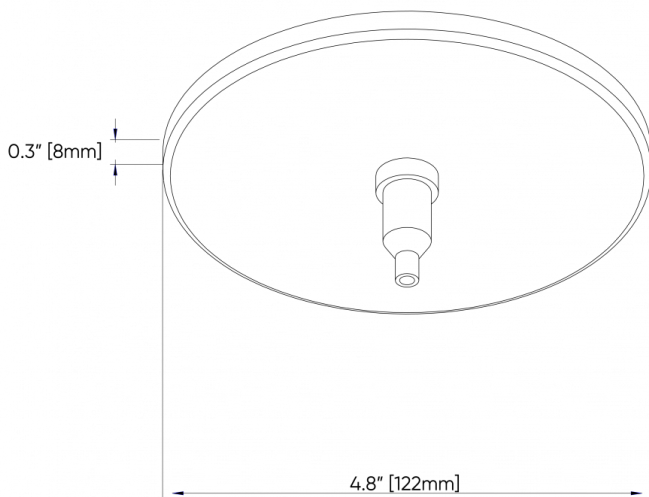
Hub Remote POS



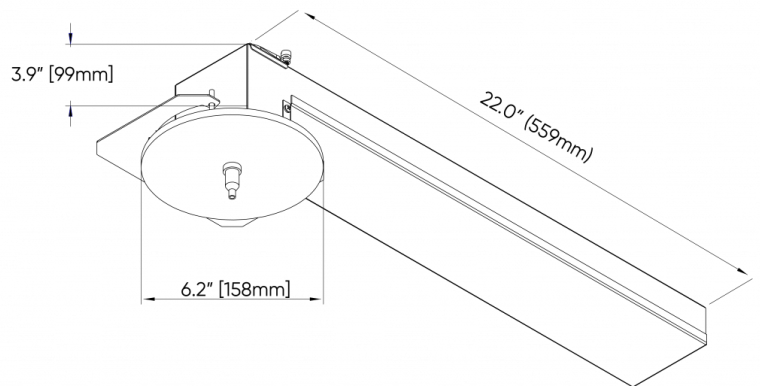
Hub Integral POS



Vertical Remote POS



Vertical Integral Recessed POS



Vertical Integral POS

