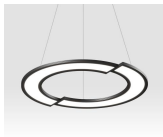


SWITCH™



Project Name:

Fixture Type:

Fixture Code:

Quantities:

A. LUMINAIRE TYPE

WTHP Pendant

WTHC Ceiling

B. DIAMETER

SL03 3ft, 9700 lms

SL04 4ft, 13000 lms

SL05 5ft, 16400 lms

SL06 6ft, 19400 lms

SL07 7ft, 20300 lms

C. DISTRIBUTION

DRO Direct 100%

DR2 Direct 50% / Indirect 50%

D. NUMBER OF SECTIONS

NS02 2 Sections

NS03 3 Sections

E. LM/FT (DIRECT)

LPF040 400 lm/ft¹

LPF060 600 lm/ft^{1 2}

LPF080 800 lm/ft^{1 2}

LPF100 1000 lm/ft²

¹ 100% Direct light

² 54% Direct light/46% Indirect light

F. CRI

CR90 CRI 90+

G. CCT

CTA27 2700K¹

CTA30 3000K

CTA35 3500K

CTA40 4000K

¹ Longer than normal lead time may apply, consult factory.

H. VOLTAGE

V1 120/277V

V2 240V¹

V3 347V²

V4 Low Voltage³

¹ V2 not available in North America.

² V3 available with DA01 dimming only.

³ V4 available with DA45 dimming only.

I. DIMMING (REMOTE)

DA01 0-10V Dimming 1.0%

DA02 0-10V Dimming 0.1%¹

DA20 DALI Dimming 0.1%¹

DA21 DALI Dimming 1.0%¹

DA30 DSI/switchDim^{1 2}

DA45 PoE³

¹ Not available with V3 or V4.

² DA30 not available in North America

³ DA45 used V4 only.



J. SUSPENSION

SS0 Not required

SS6 POS Vertical, Remote driver

SS7 POS, Hub, Remote driver ¹

SS9 POS, Hub, Driver Integral to Canopy ¹

¹ Available with V1 (120V) only. The minimum suspension height relative to diameter is as follows: 3ft = 18", 4ft = 24", 5ft = 30", 6ft = 36", 7ft = 42".

K. FIXTURE FINISH

FA01 White

FA02 Black Metallic - Textured

FA20 Silver Metallic - Textured

FA25 Gold Metallic - Textured

FA44 Midnight Blue Metallic - Textured

FA45 Copper Metallic

FA46 Charcoal Metallic - Textured

FA47 Bronze Metallic - Textured

FA52 Champagne Metallic

FA53 Red Metallic - Textured

L. CANOPY FINISH

CF00 Not required

CF01 White

CF02 Black Metallic - Textured

CF20 Silver Metallic - Textured

CF25 Gold Metallic - Textured

CF44 Midnight Blue Metallic - Textured

CF45 Copper Metallic

CF46 Charcoal Metallic - Textured

CF47 Bronze Metallic - Textured

CF52 Champagne Metallic

CF53 Red Metallic - Textured

M. EMERGENCY

E0 Not required

E2 Emergency system - Remote ¹

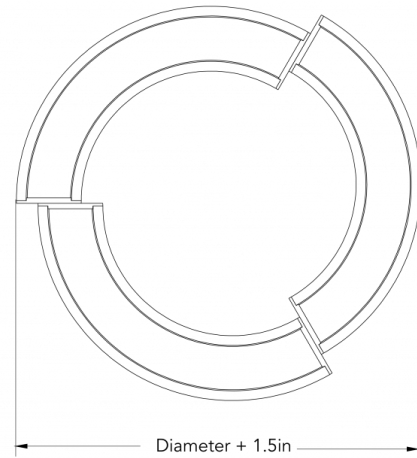
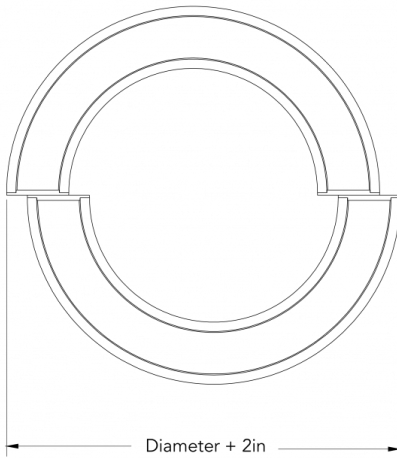
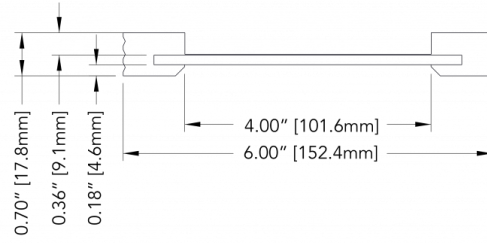
¹ Not available as Integral or with 347V.

DIMENSIONAL DIAGRAMS

DISTANCE TO CEILING SURFACE MOUNT



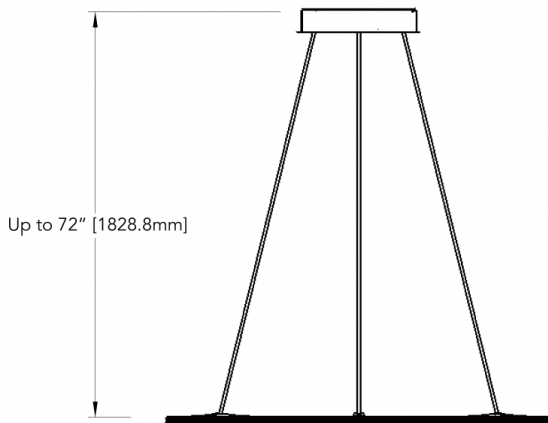
CROSS SECTION



Nominal Diameter	Actual Diameter	Minimum Suspension Height
3ft	38" [965.2mm]	15" [381mm]
4ft	50" [1270mm]	20" [508mm]
5ft	62" [1574.8mm]	25" [635mm]
6ft	74" [1879.6mm]	35" [889mm]
7ft	86" [2184.4mm]	40" [1016mm]

Nominal Diameter	Actual Diameter	Minimum Suspension Height
3ft	37.5" [952.5mm]	15" [381mm]
4ft	49.5" [1257.3mm]	20" [508mm]
5ft	61.5" [1562.1mm]	25" [635mm]
6ft	73.5" [1866.9mm]	35" [889mm]
7ft	85.5" [2171.7mm]	40" [1016mm]

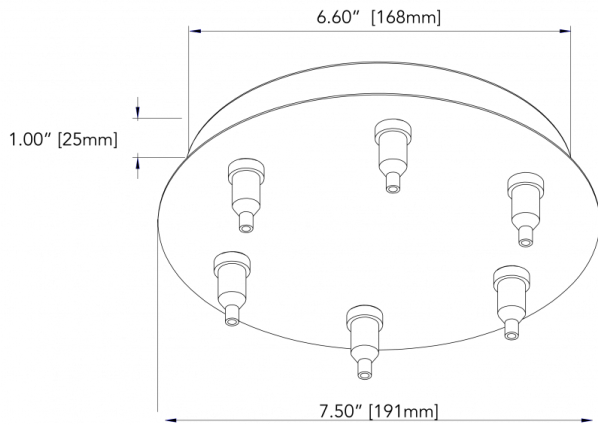
**Distance to ceiling
Hub Mount**



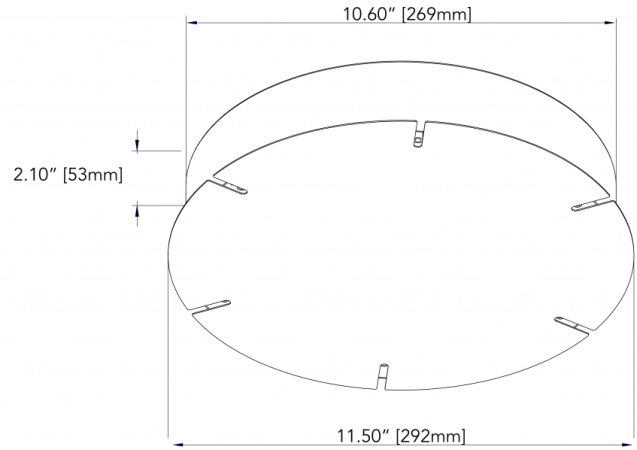
**Distance to ceiling
Vertical Mount**



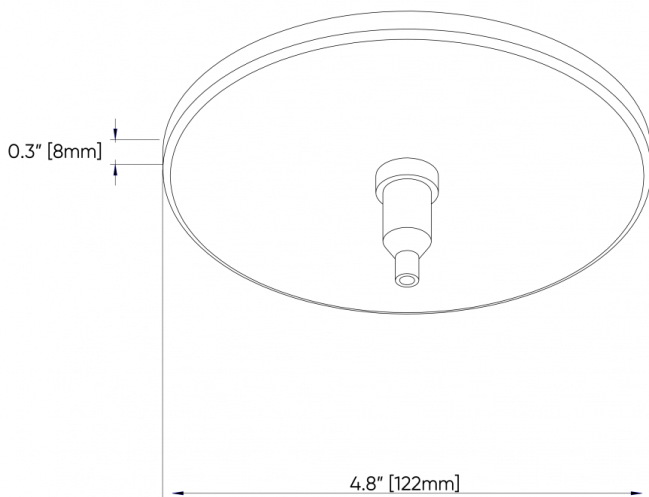
Hub Remote POS



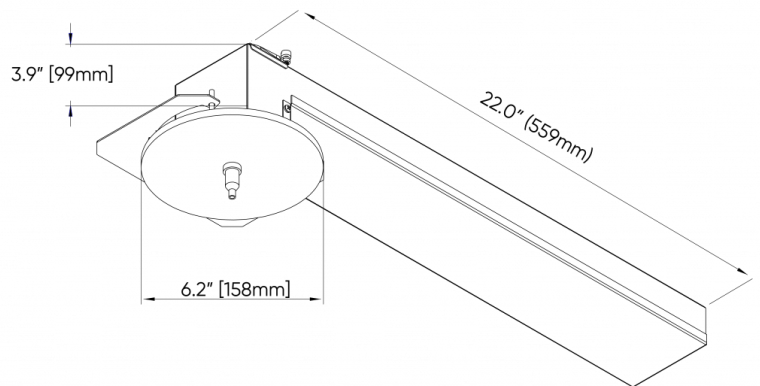
Hub Integral POS



Vertical Remote POS



Vertical Integral Recessed POS



Vertical Integral POS

