

TIAL™ - CEILING SURFACE

Project Name:

Fixture Type:

Fixture Code:

Quantities:



TIAL™ - CEILING SURFACE

GENERAL SPECIFICATION

Body and trim

Steel and aluminum.

Diffusers

Frosted acrylic.

PoE

Tial can integrate into your data network via Power over Ethernet (PoE) connectivity.

L70 @25°C (77°F)

> 50,000 hrs.

Approvals

Damp Location (Indoor use only).

Finish

Driver enclosure, white powder coated. Bezel, frosted acrylic.

Drivers

Integral, HPF electronic drivers for 120-277V (EU-240V), 0-10V, 1% dimming standard.

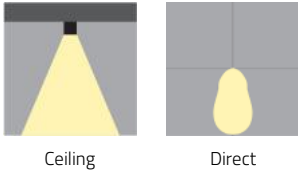
Mechanical

Luminaires mount directly over J box (by others - North America only).

Delivered Lumens

Delivered lumens & LPW based on 4000K (min 80 CRI), minimal uplight for halo effect.

MOUNTING & OPTICS



TIAL™ - CEILING SURFACE

HOW TO ORDER

A. LUMINAIRE

270100 A Type, 1571 lms, 9" x 9"

270102 B Type, 2665 lms, 9" x 9"

270104 C Type, 3592 lms, 9" x 9"

270106 D Type, 2131 lms, 11" x 9"

270108 E Type, 3028 lms, 11" x 9"

B. CCT

30 3000K (min 80 CRI)

35 3500K (min 80 CRI)

40 4000K (min 80 CRI)

C. OPTIONS

EM Integral Emergency

D. OPTIONAL LOW VOLTAGE

EV Low Voltage

To be used with DE only.

E. OPTIONAL DIMMING

DE PoE

DE must be used with EV only.

TIAL™ - CEILING SURFACE

TECHNICAL DATA

LUMINAIRE

Code	270100	270102	270104	270106	270108
Type	A	B	C	D	E
Power	14W	23W	32W	19W	27W
Delivered lms	1571	2665	3592	2131	3028
LPW	112	112	112	112	112
Dimensions	9" x 9"	9" x 9"	9" x 9"	11" x 9"	11" x 9"

APPROVALS



DAMP
LOCATION

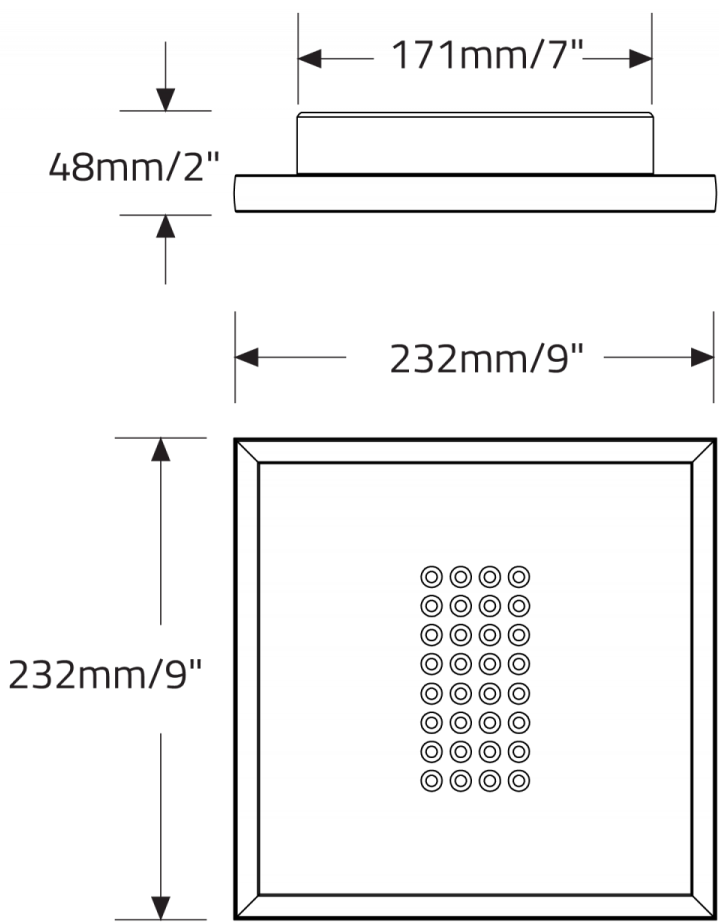


IP20

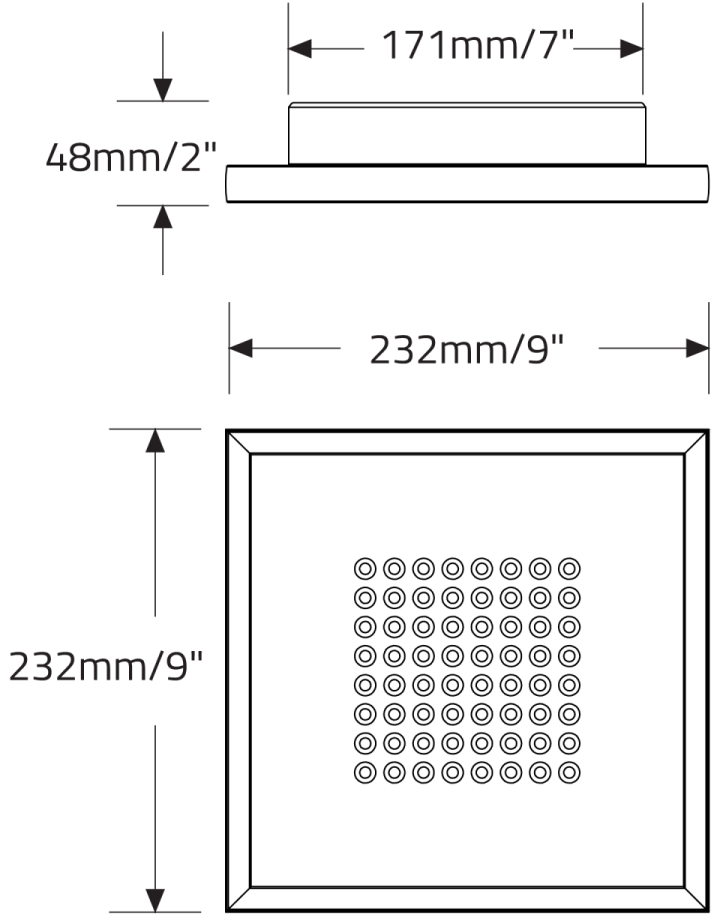


TIAL™ - CEILING SURFACE

DIMENSIONAL DIAGRAMS

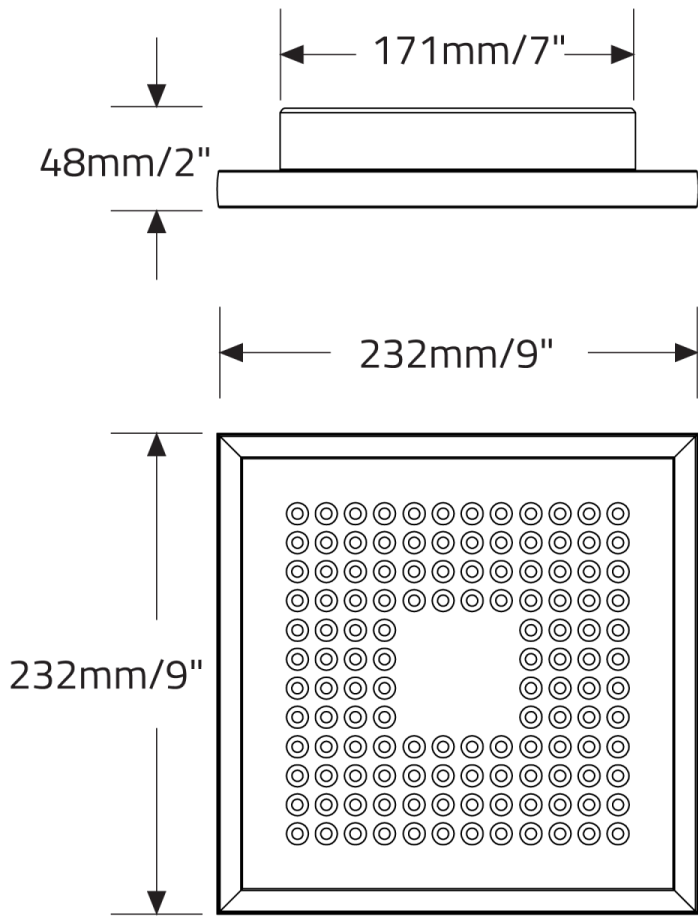


TYPE A

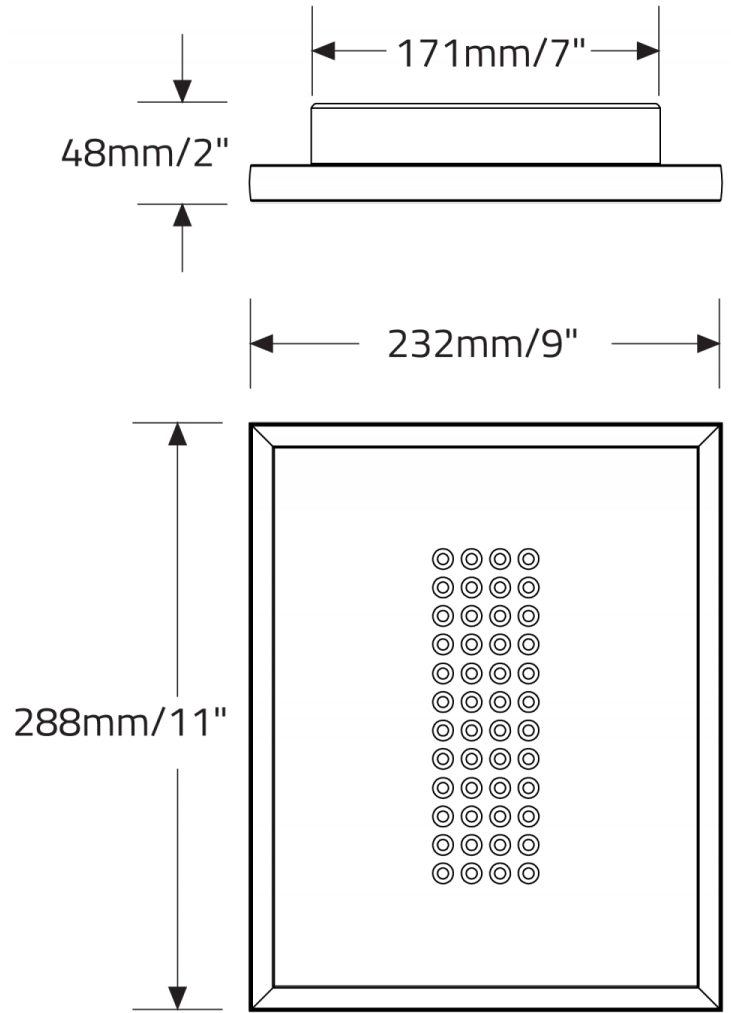


TYPE B

TIAL™ - CEILING SURFACE

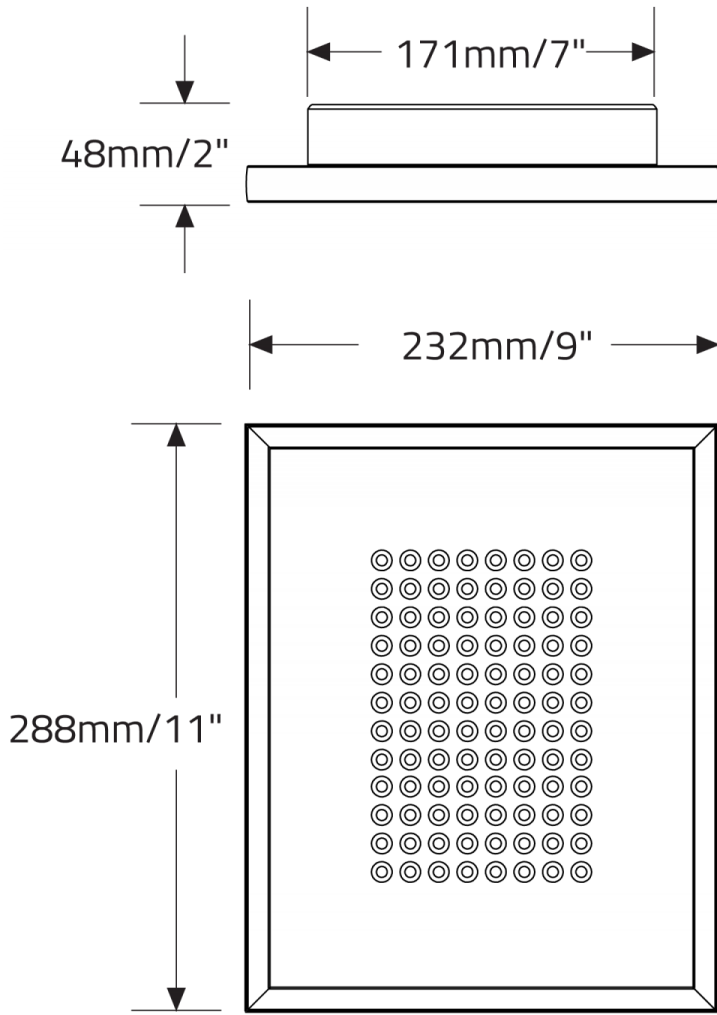


TYPE C



TYPE D

TIAL™ - CEILING SURFACE



TYPE E