



# TIMPANI RD™

## FULL SPECIFICATION SHEET



FIXTURE TYPE



FIXTURE CODE

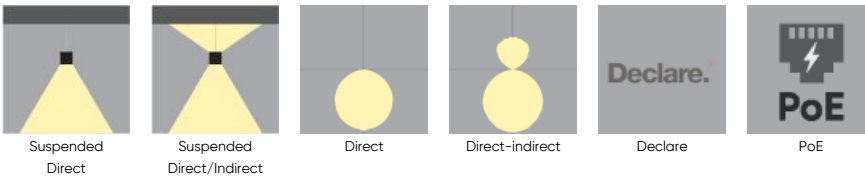


QUANTITIES

### 1 DESCRIPTION

So much can be done with **TIMPANI RD**. The disc is a perennial classic in architectural design due to its versatile look. It is minimalist, elegant, bold, graceful, or fun; it can blend in or make a statement. **TIMPANI RD** complements a wide range of design expressions, supported by 10 finish options, multiple sizes, and lumen packages to achieve the desired illumination. This luminaire is capable of hitting lumen outputs up to 24,000 lumens, making it a high-performance fixture.

### 2 OPTICS & FEATURES



### 3 APPROVALS



### 4 GENERAL SPECIFICATION

#### BODY AND TRIM

Steel and aluminum.

#### FINISH

Powder coated.

### SUSPENSION

Steel cables.

### DRIVERS

Integral, HPF electronic drivers for 120-277V, 347V (EU-240V), The driver is integral to the fixture housing.

### MECHANICAL

Luminaires mount directly over J box (by others - North America only).

### INTEGRAL EMERGENCY SYSTEM

Emergency option provides a 1.5 hour (3 hours for EU) emergency lighting facility. The self contained system includes the inverter module, NiCad batteries, LED charge indicator and test switch (NA only). Not available with a 347V supply.

### SENSORS

Consult factory regarding sensor compatibility.

### APPROVALS

Damp Rated.

### SUSTAINABILITY

Designed for on-site LED board, driver, and optic replacement. Contact the factory for maintenance documentation.

### POWER CABLE

Silver braided.

### POE

Timpani RD can integrate into your data network via Power over Ethernet (PoE) connectivity.

### LENS

Opal polycarbonate.

### DELIVERED LUMENS

Delivered lumens & LPW based on 4000K (min 80 CRI) for White LEDs only.

### REPORTED L70 @25°C(77°F)

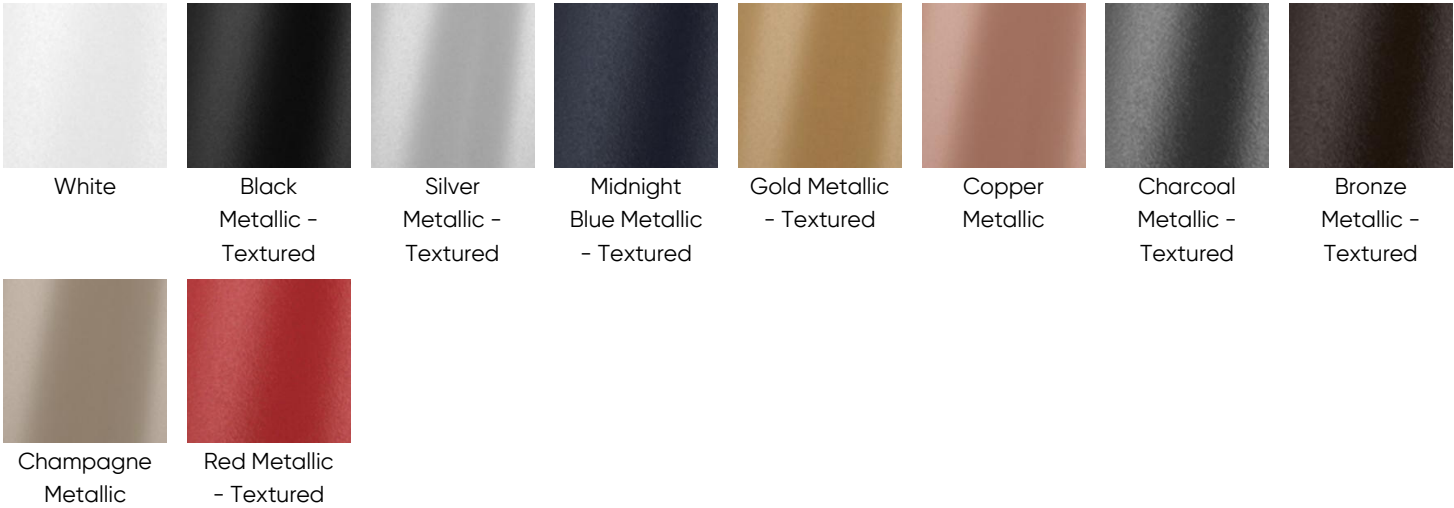
> 50,000 hrs.

### SEISMIC BRACING

Seismic bracing kits are available to meet compliance requirements. Consult the factory for details.

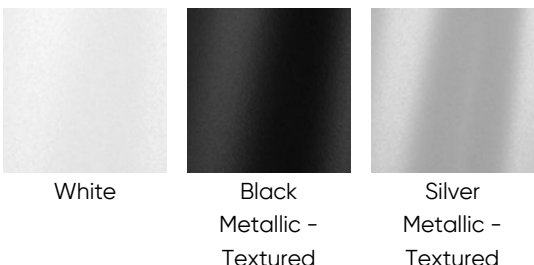
**5 DESIGN OPTIONS**

**FIXTURE FINISH**



Other finishes available, consult factory.

**CANOPY FINISH**



**6 HOW TO ORDER**

**1. LUMINAIRE**

<b>TMRP1P01</b> 18" Direct, 3200 lms	<b>TMRP1P02</b> 24" Direct, 5300 lms	<b>TMRP1P03</b> 36" Direct, 13000 lms	<b>TMRP1P04</b> 48" Direct, 24000 lms
<b>TMRP2P01</b> 18" Direct/Indirect, 5600 lms	<b>TMRP2P02</b> 24" Direct/Indirect, 7700 lms	<b>TMRP2P03</b> 36" Direct/Indirect, 17800 lms	<b>TMRP2P04</b> 48" Direct/Indirect, 29400 lms

Data shown at max nominal values. Recommended minimum suspension length: 12".

## 2. LUMENS (DIRECT)

<b>LMA0170</b> 1700 lms	<b>LMA0250</b> 2500 lms	<b>LMA0320</b> 3200 lms	<b>LMA0420</b> 4200 lms
<b>LMA0530</b> 5300 lms	<b>LMA0730</b> 7300 lms	<b>LMA1060</b> 10600 lms	<b>LMA1300</b> 13000 lms
<b>LMA1900</b> 19000 lms	<b>LMA2400</b> 24000 lms		

Consult website for lumens by size.

## 3. LUMENS (INDIRECT)

<b>LMB0000</b> Not required	<b>LMB0120</b> 1200 lms	<b>LMB0240</b> 2400 lms	<b>LMB0480</b> 4800 lms
<b>LMB0540</b> 5400 lms			

Consult website for lumens by size.

## 4. CRI

**CR80** CRI 80+

## 5. CCT (DIRECT)

<b>CTA30</b> 3000K	<b>CTA35</b> 3500K	<b>CTA40</b> 4000K
--------------------	--------------------	--------------------

## 6. CCT (INDIRECT)

<b>CTB00</b> Not required	<b>CTB30</b> 3000K	<b>CTB35</b> 3500K	<b>CTB40</b> 4000K
---------------------------	--------------------	--------------------	--------------------

## 7. INDIRECT LENS

<b>UD0</b> Not required	<b>UD1</b> Clear	<b>UD2</b> Opal <sup>1 2</sup>
-------------------------	------------------	--------------------------------

<sup>1</sup> 10% reduction in indirect lumens. <sup>2</sup> TMRP2P01 can only be ordered with opal diffuser and SS3 suspension.

## 8. VOLTAGE

<b>V1</b> 120/277V	<b>V2</b> 240V <sup>1</sup>	<b>V3</b> 347V <sup>2</sup>	<b>V4</b> Low Voltage <sup>3</sup>
--------------------	-----------------------------	-----------------------------	------------------------------------

<sup>1</sup> Not available in North America. <sup>2</sup> Only available with DA01 dimming. <sup>3</sup> Only available with DA45 dimming.

## 9. DIMMING OPTIONS

<b>DA01</b> 0-10V Dimming 1.0%	<b>DA02</b> 0-10V Dimming 0.1% <sup>1 3</sup>	<b>DA21</b> DALI Dimming 1.0% <sup>1 3</sup>	<b>DA30</b> DSI/switchDim <sup>2 3</sup>
<b>DA45</b> PoE <sup>4</sup>			

<sup>1</sup> Available with 18" & 24" diameters only. <sup>2</sup> Not available in North America. <sup>3</sup> Not available with V3. <sup>4</sup> Available with V4 only.

## 10. SUSPENSION

**SS1** Vertical, Integral driver      **SS2** Hub, Integral driver <sup>1 2</sup>

<sup>1</sup> Not available with 48" diameter. <sup>2</sup> TMRP2P01 can only be ordered with opal diffuser and SS1 suspension.

## 11. FIXTURE FINISH

**FA01** White      **FA02** Black Metallic - Textured      **FA20** Silver Metallic - Textured      **FA44** Midnight Blue Metallic - Textured  
**FA25** Gold Metallic - Textured      **FA45** Copper Metallic      **FA46** Charcoal Metallic - Textured      **FA47** Bronze Metallic - Textured  
**FA52** Champagne Metallic      **FA53** Red Metallic - Textured

Other finishes available, consult factory.

## 12. CANOPY FINISH

**CF01** White      **CF02** Black Metallic - Textured      **CF20** Silver Metallic - Textured

## 13. EMERGENCY

**E0** Not required      **E1** Emergency system - Integral

## 14. CIRCUITS

**CS1** Single circuit      **CS2** Dual circuit <sup>1</sup>

<sup>1</sup> Two power cables supplied.

**7 TECHNICAL DATA**

**LUMINAIRE**

Data shown at max nominal values. Recommended minimum suspension length: 12".

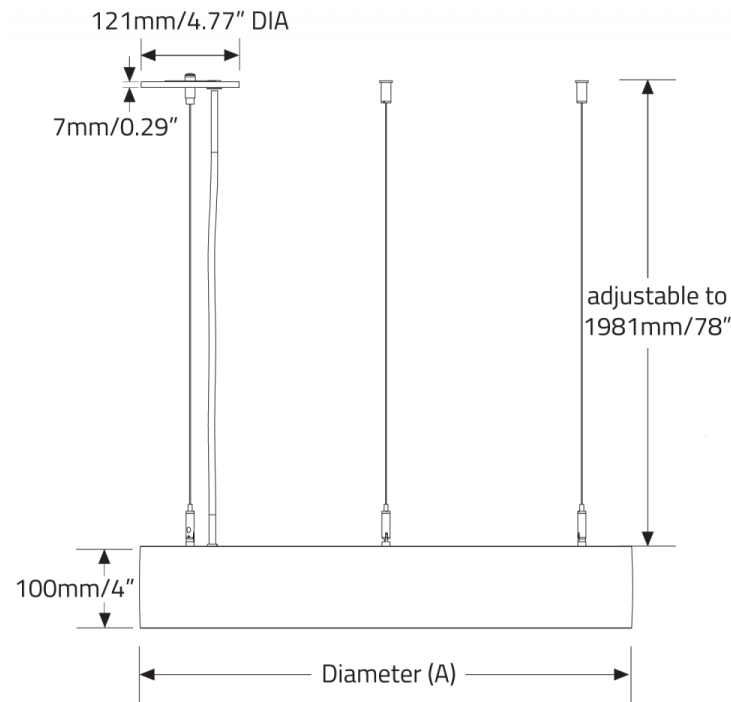
Code	TMRP1P01	TMRP1P02	TMRP1P03	TMRP1P04	TMRP2P01	TMRP2P02
<b>Diameter (A)</b>	18"	24"	36"	48"	18"	24"
<b>Light Direction</b>	Direct	Direct	Direct	Direct	Direct/Indirect	Direct/Indirect
<b>Wattage Direct</b>	34	51	132	239	34	51
<b>Wattage Indirect</b>					21	21
<b>Direct lms</b>	3200	5300	13000	24000	3200	5300
<b>Indirect lms</b>					2400	2400
<b>LPW</b>	94	104	102	101	102	107

Code	TMRP2P03	TMRP2P04
<b>Diameter (A)</b>	36"	48"
<b>Light Direction</b>	Direct/Indirect	Direct/Indirect
<b>Wattage Direct</b>	132	239
<b>Wattage Indirect</b>	41	43
<b>Direct lms</b>	13000	24000
<b>Indirect lms</b>	4800	5400
<b>LPW</b>	103	104

**8 DIMENSIONAL DIAGRAMS**

SS1



SS2

