

# TIMPANI RD™ - SUSPENDED



Project Name:

Fixture Type:

Fixture Code:

Quantities:

## A. LUMINAIRE

<b>TMRP1P01</b> 18" Direct, 3200 lms	<b>TMRP1P02</b> 24" Direct, 5300 lms	<b>TMRP1P03</b> 36" Direct, 13000 lms	<b>TMRP1P04</b> 48" Direct, 24000 lms
<b>TMRP2P01</b> 18" Direct/Indirect, 5600 lms	<b>TMRP2P02</b> 24" Direct/Indirect, 7700 lms	<b>TMRP2P03</b> 36" Direct/Indirect, 17800 lms	<b>TMRP2P04</b> 48" Direct/Indirect, 29400 lms

Data shown at max nominal values. Recommended minimum suspension length: 12".

## B. LUMENS (DIRECT)

<b>LMA0170</b> 1700 lms	<b>LMA0250</b> 2500 lms	<b>LMA0320</b> 3200 lms	<b>LMA0420</b> 4200 lms
<b>LMA0530</b> 5300 lms	<b>LMA0730</b> 7300 lms	<b>LMA1060</b> 10600 lms	<b>LMA1300</b> 13000 lms
<b>LMA1900</b> 19000 lms	<b>LMA2400</b> 24000 lms		

Consult website for lumens by size.

## C. LUMENS (INDIRECT)

<b>LMB0000</b> Not required	<b>LMB0120</b> 1200 lms	<b>LMB0240</b> 2400 lms	<b>LMB0480</b> 4800 lms
<b>LMB0540</b> 5400 lms			

Consult website for lumens by size.

## D. CRI

**CR80** CRI 80+

## E. CCT (DIRECT)

<b>CTA30</b> 3000K	<b>CTA35</b> 3500K	<b>CTA40</b> 4000K
--------------------	--------------------	--------------------

## F. CCT (INDIRECT)

<b>CTB00</b> Not required	<b>CTB30</b> 3000K	<b>CTB35</b> 3500K	<b>CTB40</b> 4000K
---------------------------	--------------------	--------------------	--------------------

## G. UPLIGHT DIFFUSER

<b>UD0</b> Not required	<b>UD1</b> Clear diffuser	<b>UD2</b> Opal diffuser <sup>1 2</sup>
-------------------------	---------------------------	---

<sup>1</sup> 10% reduction in indirect lumens

<sup>2</sup> TMRP2P01 can only be ordered with opal diffuser and SS3 suspension.

## H. VOLTAGE

<b>V1</b> 120/277V	<b>V2</b> 240V <sup>1</sup>	<b>V3</b> 347V <sup>2</sup>	<b>V4</b> Low Voltage <sup>3</sup>
--------------------	-----------------------------	-----------------------------	------------------------------------

<sup>1</sup> Not available in North America.

<sup>2</sup> Only available with DA01 dimming.

<sup>3</sup> Only available with DA45 dimming.



# TIMPANI RD™ - SUSPENDED

## I. DIMMING OPTIONS

**DA01** 0-10V Dimming 1.0%  
**DA45** PoE \*

**DA02** 0-10V Dimming 0.1%<sup>1 3</sup>

**DA21** DALI Dimming 1.0%<sup>1 3</sup>

**DA30** DSI/switchDim<sup>2 3</sup>

<sup>1</sup> Available with 18" & 24" diameters only.

<sup>2</sup> Not available in North America.

<sup>3</sup> Not available with V3.

\* Available with V4 only.

## J. SUSPENSION

**SS1** Vertical, Integral driver

**SS2** Hub, Integral driver<sup>1 2</sup>

<sup>1</sup> Not available with 48" diameter.

<sup>2</sup> TMRP2P01 can only be ordered with opal diffuser and SS1 suspension.

## K. FIXTURE FINISH

**FA01** White

**FA02** Black Metallic - Textured

**FA20** Silver Metallic - Textured

**FA44** Midnight Blue Metallic - Textured

**FA25** Gold Metallic - Textured

**FA45** Copper Metallic

**FA46** Charcoal Metallic - Textured

**FA47** Bronze Metallic - Textured

**FA52** Champagne Metallic

**FA53** Red Metallic - Textured

Other finishes available, consult factory.

## L. CANOPY FINISH

**CF01** White

**CF02** Black Metallic - Textured

**CF20** Silver Metallic - Textured

## M. EMERGENCY

**E0** Not required

**E1** Emergency system - Integral

## N. CIRCUITS

**CS1** Single circuit

**CS2** Dual circuit<sup>1</sup>

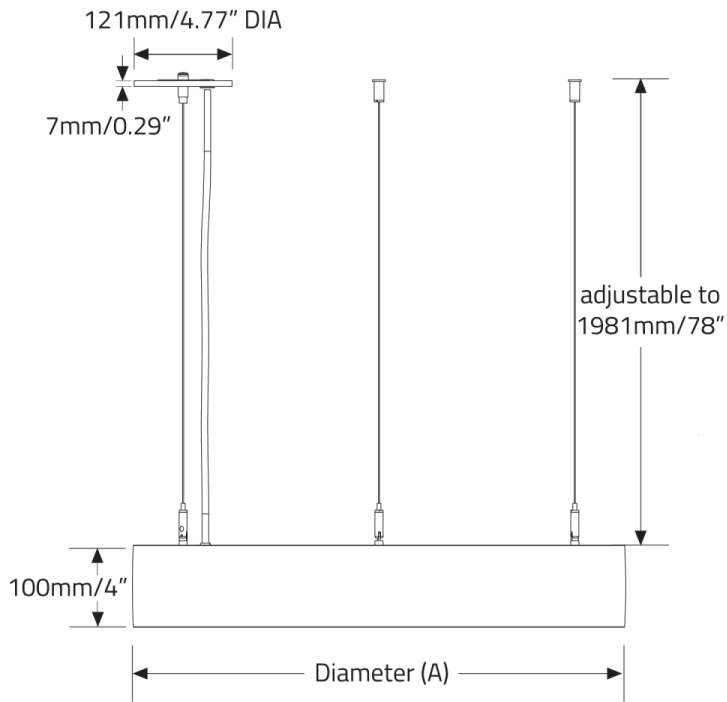
<sup>1</sup> Two power cables supplied.



# TIMPANI RD™ - SUSPENDED

## DIMENSIONAL DIAGRAMS

SS1



SS2

