

# TOWER™ - WALL



Project Name:

Fixture Type:

Fixture Code:

Quantities:

## A. LUMINAIRE

**8308200** 1669 lms, 14° Down

**8308202** 1632 lms, 22° Down

**8308204** 1544 lms, 35° Down

**8308280** 2 x 1595 lms, 14° Up/Down

**8308282** 2 x 1592 lms, 22° Up/Down

**8308284** 2 x 1522 lms, 35° Up/Down

**8308250** 2826 lms, 10° Down

**8308251** 2473 lms, 28° Down

**8308252** 2439 lms, 71° Down

**8308260** 4062 lms, 10° Down

**8308261** 3554 lms, 28° Down

**8308262** 3505 lms, 71° Down

**8308270** 2 x 2667 lms, 10° Up/Down

**8308271** 2 x 2474 lms, 28° Up/Down

**8308272** 2 x 2429 lms, 71° Up/Down

## B. CCT

**30** 3000K (min 80 CRI)

**40** 4000K (min 80 CRI)

## C. FINISH

**GR** Light Gray

**AG** Anthracite Gray

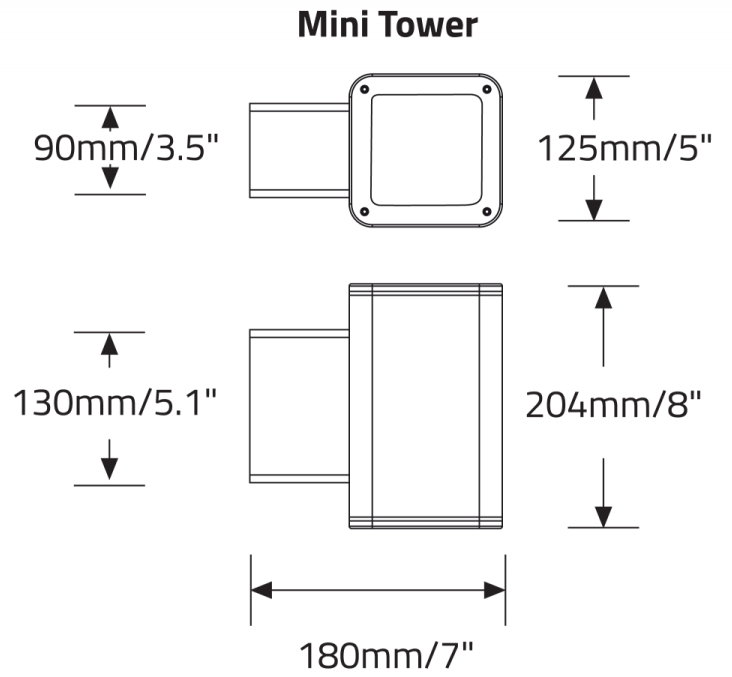
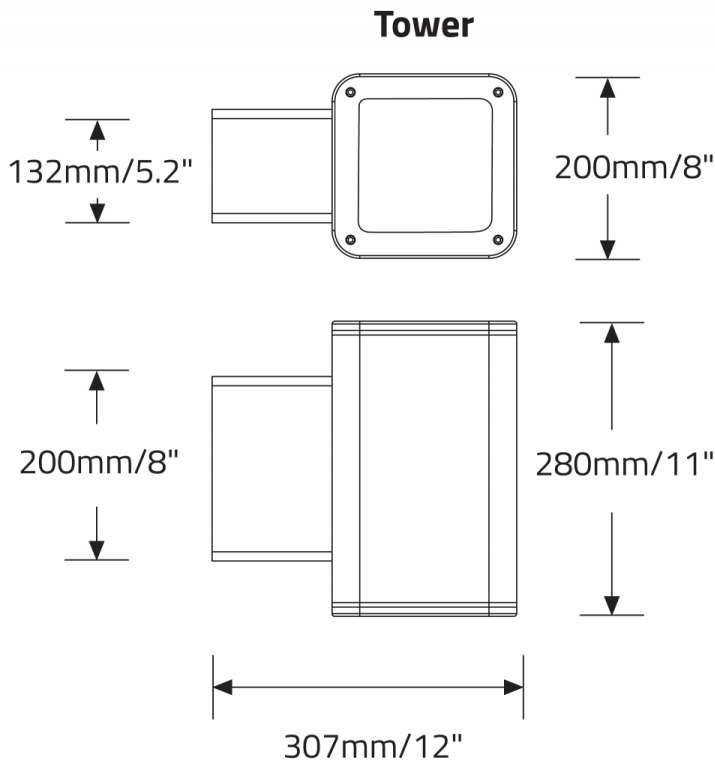
## D. OPTIONS

**DB** Dimming (0-10V, 10%)<sup>1</sup>

<sup>1</sup> Dimming is equal to or less than 10%.

# TOWER™ - WALL

## DIMENSIONAL DIAGRAMS



**Note:** Mini Tower mounts directly over a 2" x 4" J Box (by others).

