

TRAY™ - CEILING SURFACE

Project Name:

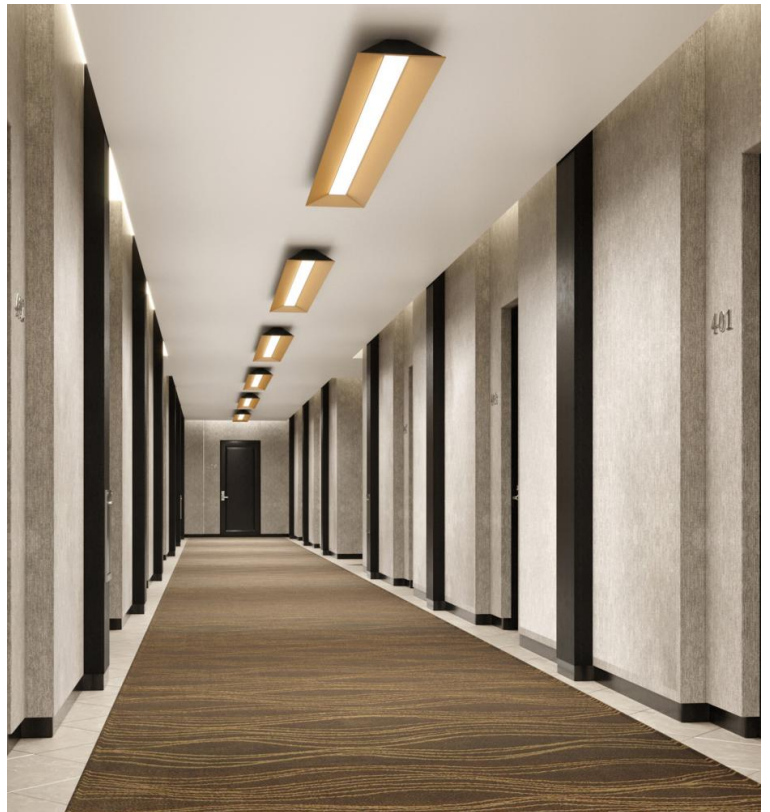
Fixture Type:

Fixture Code:

Quantities:



TRAY™ - CEILING SURFACE



TRAY™ - CEILING SURFACE

TRAY portrays a picture frame design. Our intention was to evoke the idea of empty picture frames, characterized by a similar concave design, for use in high-end architectural environments. TRAY is a fresh contemporary alternative to traditional lightbox style fixtures. With sloped back and side surfaces, TRAY creates a floating effect when mounted on ceilings.

GENERAL SPECIFICATION

Housing

Aluminum and steel.

Diffuser

Opal polycarbonate.

Remote emergency

Provides a 1.5 hour (3 hours for EU) emergency lighting facility. The remote system includes the inverter module, NiCad or NiMH batteries and a remote wall/ceiling LED charge indicator and test switch (NA only) Maximum distance between wall/ceiling plate and luminaire is 4.5m/15'. Test switch fits a single gang box (not supplied).

Mechanical

Mounts directly to a standard electrical junction box (by others - North America only).

Design

US Design Patent Pending.

Finish

Polyester powder coated.

Drivers

HPF electronic, 120-277V (EU-240V).

PoE

Tray can integrate into your data network via Power over Ethernet (PoE) connectivity.

Delivered lumens

Delivered lumens & LPW based on 4000K (min 80 CRI).

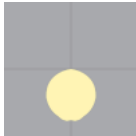
Designed by

Serge Cornelissen.

MOUNTING & OPTICS



Ceiling Direct



Direct



PoE

TRAY™ - CEILING SURFACE

HOW TO ORDER

A. LUMINAIRE

ABN1 12" x 25", 848 lms
ABN5 20" SQ, 2389 lms

ABN2 12" x 45", 2157 lms
ABN6 30" SQ, 9557 lms

ABN3 12" x 94", 5325 lms

ABN4 20" x 30", 4810 lms

B. CCT

J2 3000K (min 80 CRI)

J3 3500K (min 80 CRI)

J4 4000K (min 80 CRI)

C. DIMMING

D1 0-10V Dimming (1.0%)

D2 0-10V Dimming (0.1%)

D3 347V, 0-10V Dimming (1.0%)

D4 DALI Dimming (0.1%)

D5 DALI Dimming (1.0%)

D6 DSI (EU only)

D7 switchDim (EU only)

DA45 PoE

D6 & D7 dimming not available in North America.

DA45 must be used with EV only.

D. FINISH - FRONT FRAME

G1 White

G02 Black Metallic - Textured

G20 Silver Metallic - Textured

G25 Gold Metallic - Textured

G44 Midnight Blue Metallic - Textured

G45 Copper Metallic

G46 Charcoal Metallic - Textured

G47 Bronze Metallic - Textured

G52 Champagne Metallic

G53 Red Metallic - Textured

E. FINISH - BACK FRAME

H1 White

H02 Black Metallic - Textured

H20 Silver Metallic - Textured

H25 Gold Metallic - Textured

H44 Midnight Blue Metallic - Textured

H45 Copper Metallic

H46 Charcoal Metallic - Textured

H47 Bronze Metallic - Textured

H52 Champagne Metallic

H53 Red Metallic - Textured

F. LUMEN OUTPUT

L0 100% of standard output

L1 Lumen & wattage reduction to approximately 75% of standard output

L2 Lumen & wattage reduction to approximately 50% of standard output

ABN1 not available with L1 or L2

G. EMERGENCY

E0 Emergency system not required

E2 Emergency system - Remote

H. OPTIONAL LOW VOLTAGE

EV Low Voltage

To be used with DA45 only.



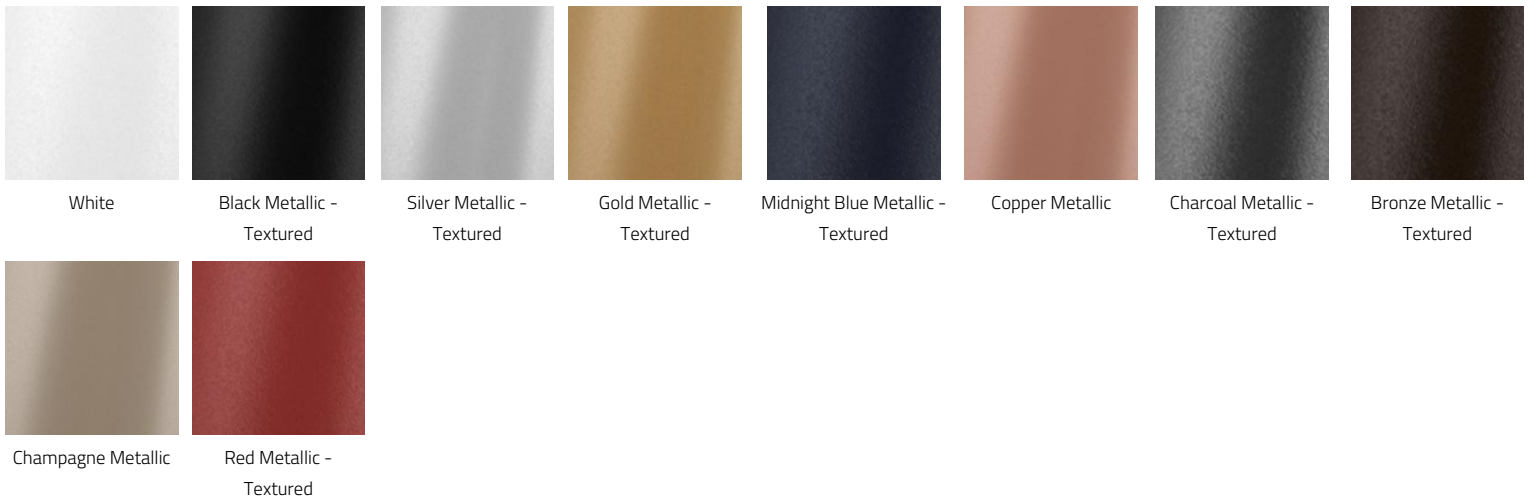
TRAY™ - CEILING SURFACE

TECHNICAL DATA

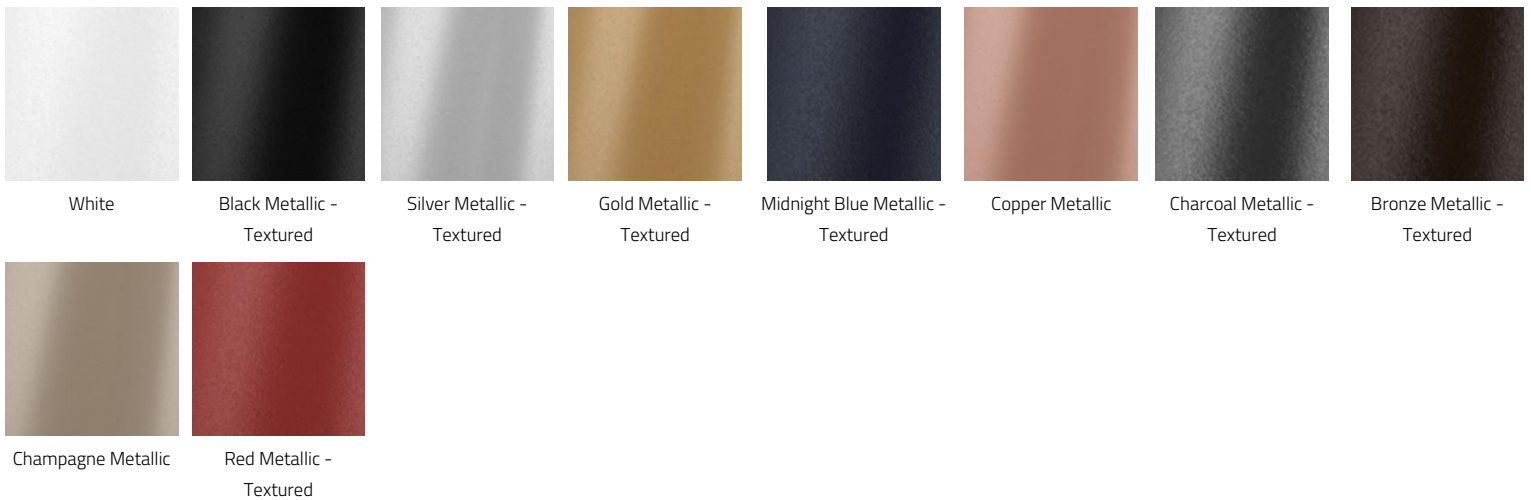
LUMINAIRE

Code	ABN1	ABN2	ABN3	ABN4	ABN5	ABN6
Size	12" x 25"	12" x 45"	12" x 94"	20" x 30"	20" SQ	30" SQ
Wattage	7W	18W	42W	34W	17W	69W
Delivered lms	848	2157	5325	4810	2389	9557
LPW	121	123	126	140	139	139

FINISH FRONT FRAME



FINISH BACK FRAME



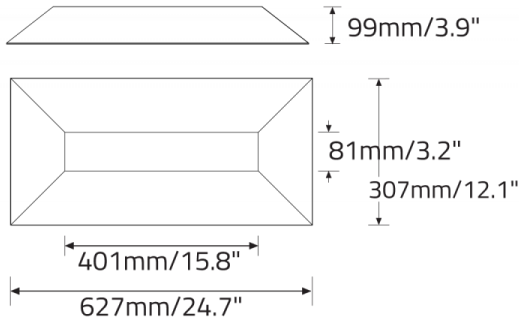
APPROVALS



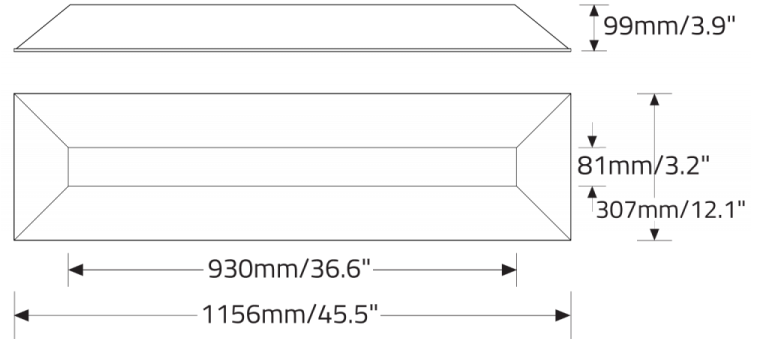
TRAY™ - CEILING SURFACE

DIMENSIONAL DIAGRAMS

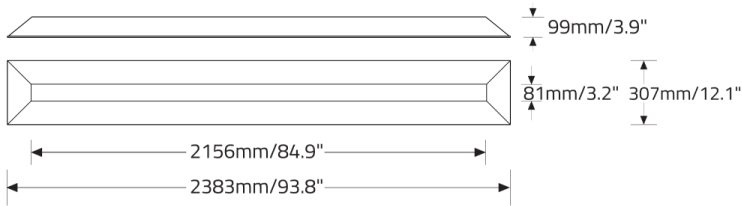
ABN1



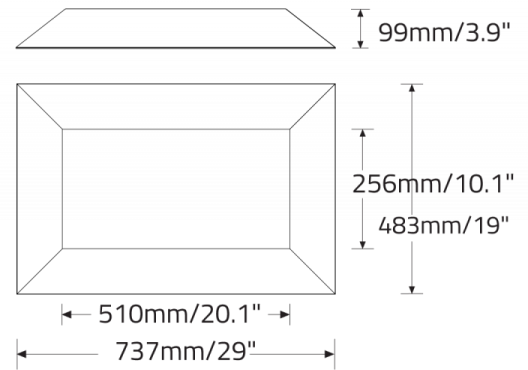
ABN2



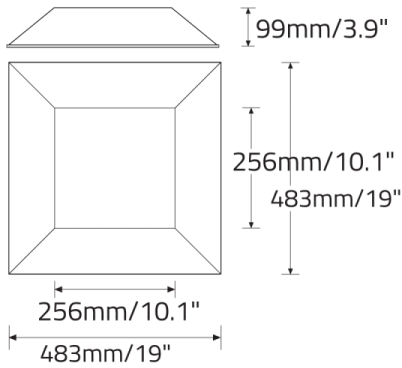
ABN3



ABN4



ABN5



ABN6

