

# TRAY™ - WALL SURFACE

Project Name:

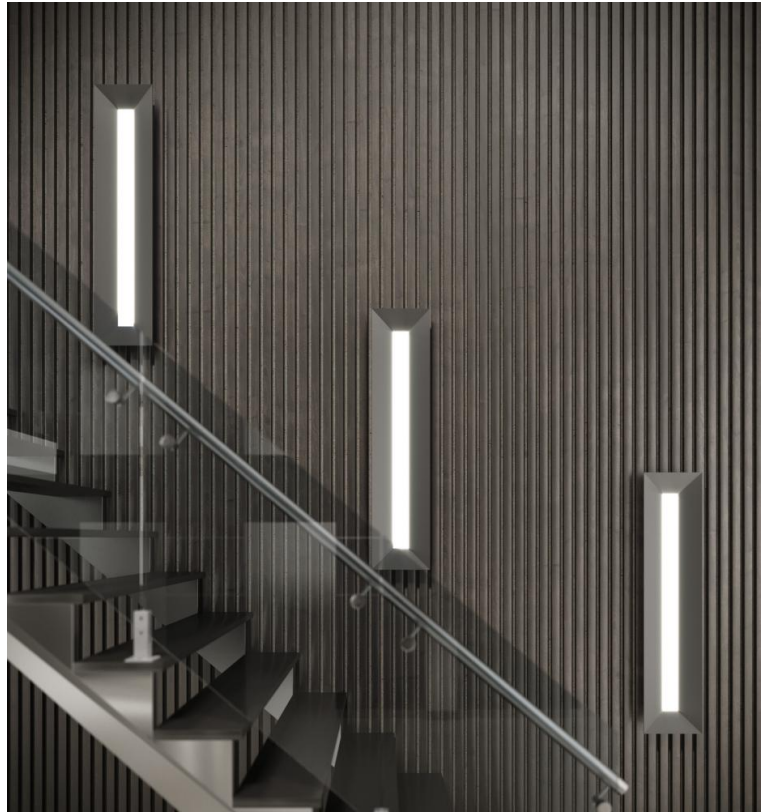
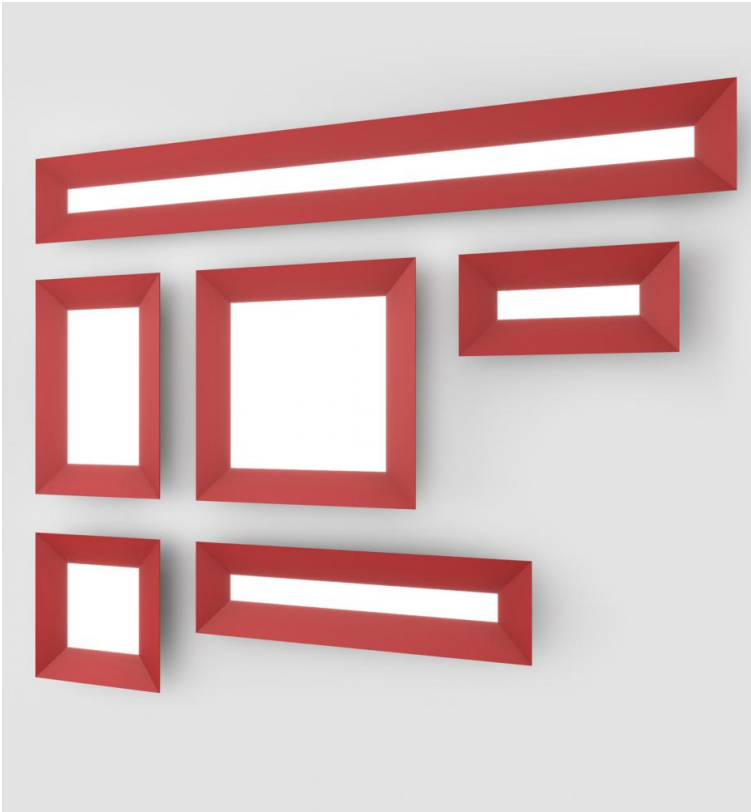
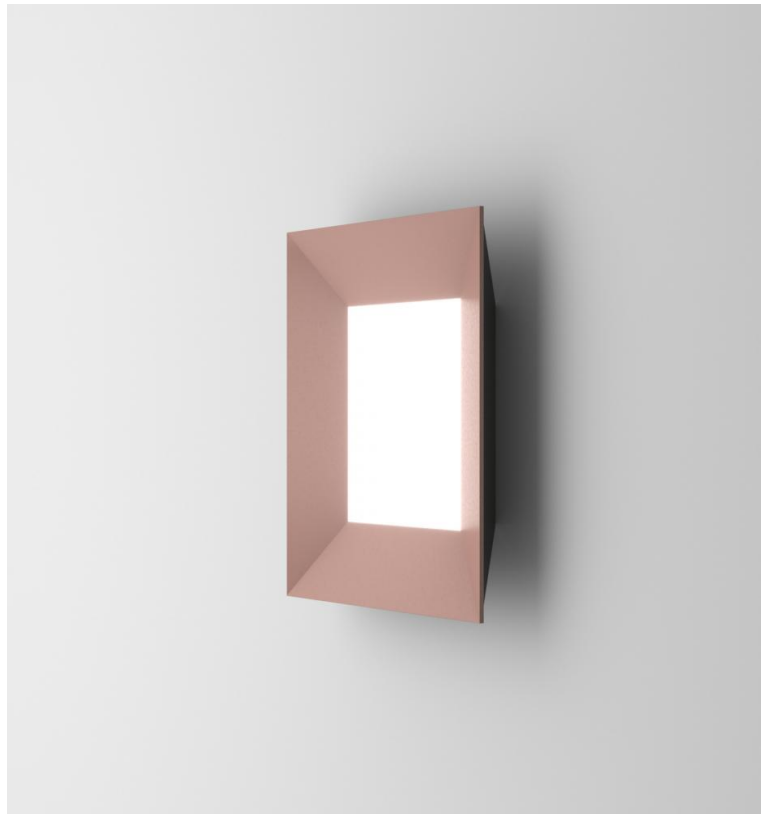
Fixture Type:

Fixture Code:

Quantities:



# TRAY™ - WALL SURFACE



# TRAY™ - WALL SURFACE

**TRAY** portrays a picture frame design. Our intention was to evoke the idea of empty picture frames, characterized by a similar concave design, for use in high-end architectural environments. TRAY is a fresh contemporary alternative to traditional lightbox style fixtures. With sloped back and side surfaces, TRAY creates depth when viewed from non-frontal angles. TRAY Wall features reduced lumen packages for optimized visual comfort.

## GENERAL SPECIFICATION

### Housing

Aluminum and steel.

### Lens

Opal polycarbonate.

### Remote emergency

Provides a 1.5 hour (3 hours for EU) emergency lighting facility. The remote system includes the inverter module, NiCad or NiMH batteries and a remote wall/ceiling LED charge indicator and test switch (NA only) Maximum distance between wall/ceiling plate and luminaire is 4.5m/15'. Test switch fits a single gang box (not supplied).

### Mechanical

Mounts directly to a standard electrical junction box (by others - North America only).

### Design

US Design Patent Pending.

### Finish

Polyester powder coated.

### Drivers

HPF electronic, 120-277V (EU-240V).

### PoE

Tray can integrate into your data network via Power over Ethernet (PoE) connectivity.

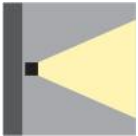
### Delivered lumens

Delivered lumens & LPW based on 4000K (min 80 CRI).

### Designed by

Serge Cornelissen.

## OPTICS & FEATURES



Wall Direct



General Diffuse



PoE

# TRAY™ - WALL SURFACE

## HOW TO ORDER

### A. LUMINAIRE

**AG1** 12" x 25", 677 lms  
**AG5** 20" SQ, 1907 lms

**AG2** 12" x 45", 1722 lms  
**AG6** 30" SQ, 7629 lms

**AG3** 12" x 94", 4249 lms

**AG4** 20" x 30", 3838 lms

### B. CCT

**J2** 3000K (min 80 CRI)

**J3** 3500K (min 80 CRI)

**J4** 4000K (min 80 CRI)

### C. DIMMING

**D1** 0-10V Dimming (1.0%)

**D2** 0-10V Dimming (0.1%)

**D3** 347V, 0-10V Dimming (1.0%)

**D4** DALI Dimming (0.1%)

**D5** DALI Dimming (1.0%)

**D6** DSI (EU only)

**D7** switchDim (EU only)

**DA45** PoE

*D6 & D7 dimming not available in North America.*

*DA45 must be used with EV only.*

### D. FINISH - FRONT FRAME

**G1** White

**G02** Black Metallic - Textured

**G20** Silver Metallic - Textured

**G25** Gold Metallic - Textured

**G44** Midnight Blue Metallic - Textured

**G45** Copper Metallic

**G46** Charcoal Metallic - Textured

**G47** Bronze Metallic - Textured

**G52** Champagne Metallic

**G53** Red Metallic - Textured

### E. FINISH - BACK FRAME

**H1** White

**H02** Black Metallic - Textured

**H20** Silver Metallic - Textured

**H25** Gold Metallic - Textured

**H44** Midnight Blue Metallic - Textured

**H45** Copper Metallic

**H46** Charcoal Metallic - Textured

**H47** Bronze Metallic - Textured

**H52** Champagne Metallic

**H53** Red Metallic - Textured

### F. LUMEN OUTPUT

**L0** 100% of standard output

**L1** Lumen & wattage reduction to approximately 75% of standard output

**L2** Lumen & wattage reduction to approximately 50% of standard output

AG1 not available with L1 or L2

### G. EMERGENCY

**E0** Emergency system not required

**E2** Emergency system - Remote

### H. OPTIONAL LOW VOLTAGE

**EV** Low Voltage

To be used with DA45 only.



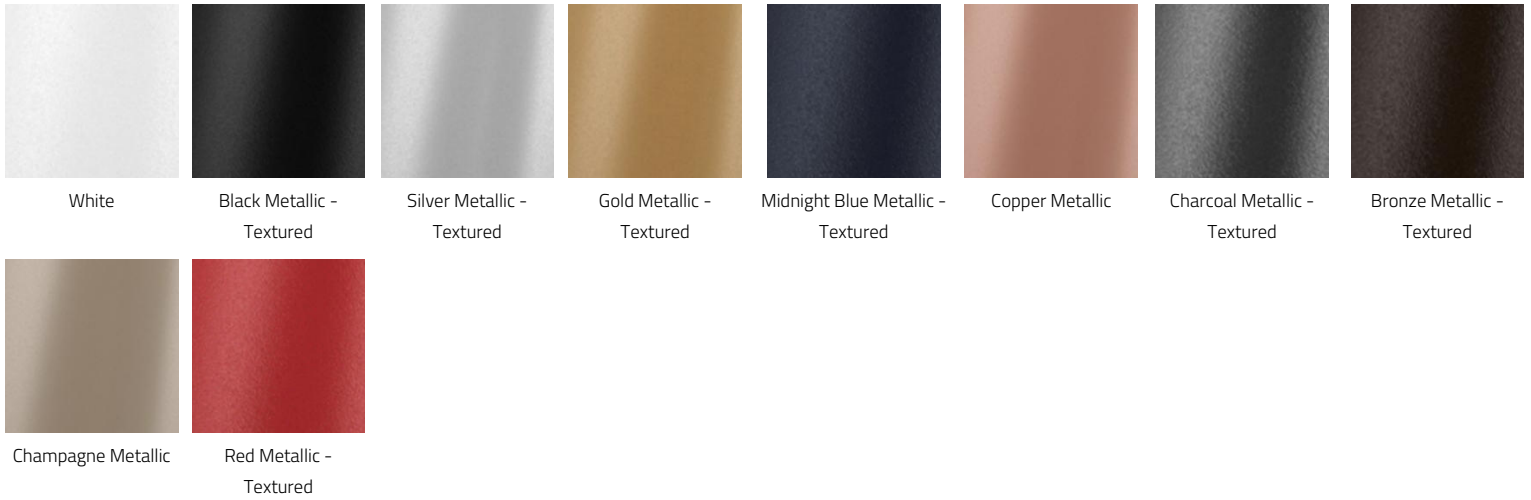
# TRAY™ - WALL SURFACE

## TECHNICAL DATA

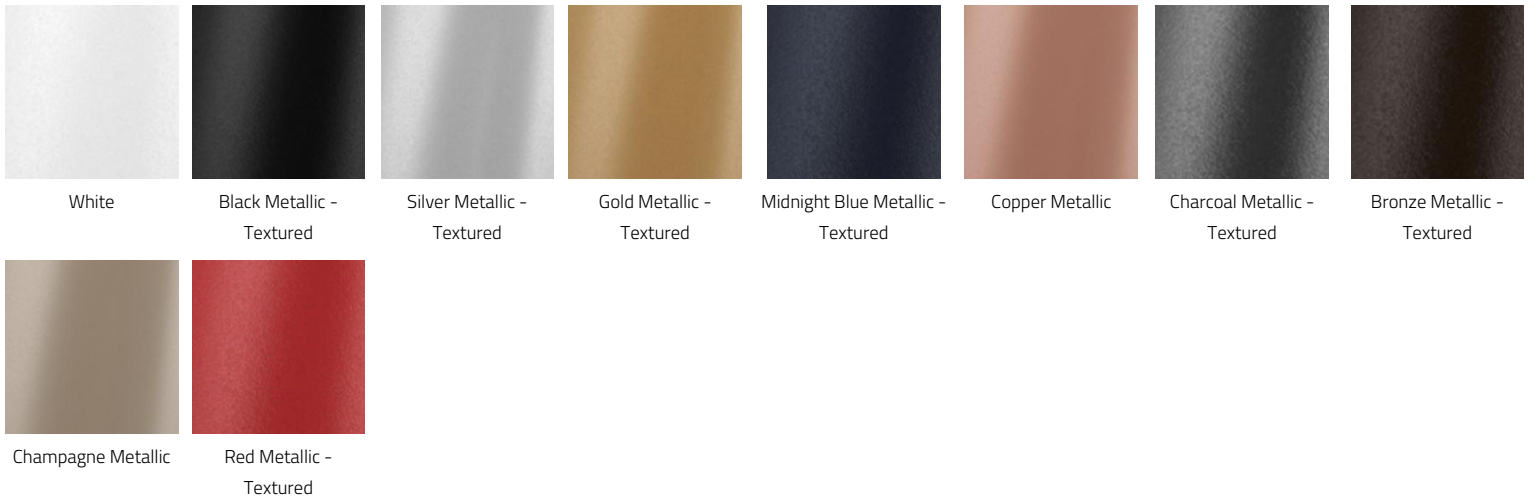
### LUMINAIRE

Code	AG1	AG2	AG3	AG4	AG5	AG6
Size	12" x 25"	12" x 45"	12" x 94"	20" x 30"	20" SQ	30" SQ
Wattage	6W	14W	34W	27W	14W	55W
Delivered lms	677	1722	4249	3838	1907	7629
LPW	121	122	126	140	139	139

### FINISH - FRONT



### FINISH - BACK



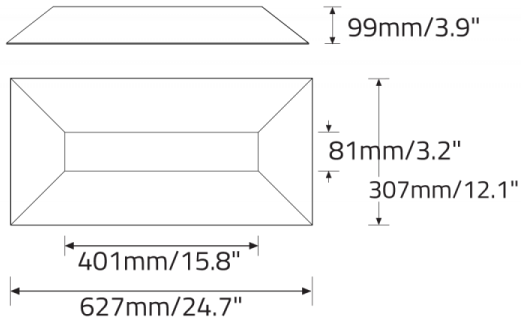
### APPROVALS



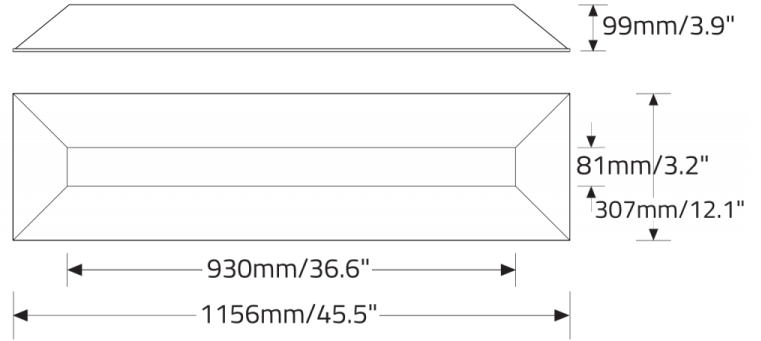
# TRAY™ - WALL SURFACE

## DIMENSIONAL DIAGRAMS

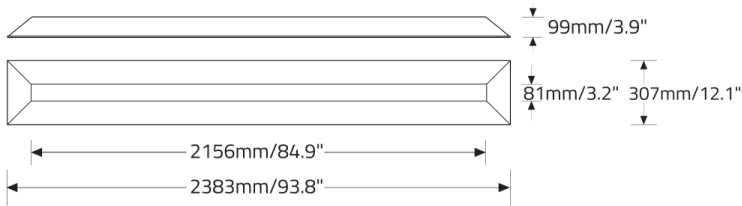
AG1



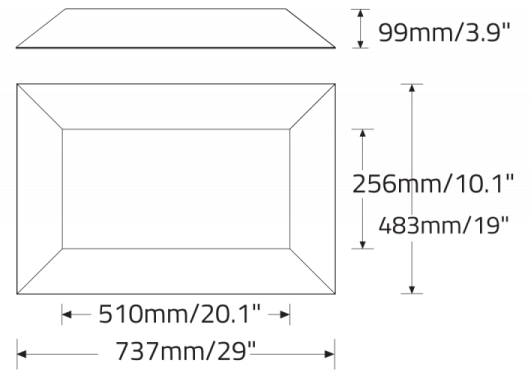
AG2



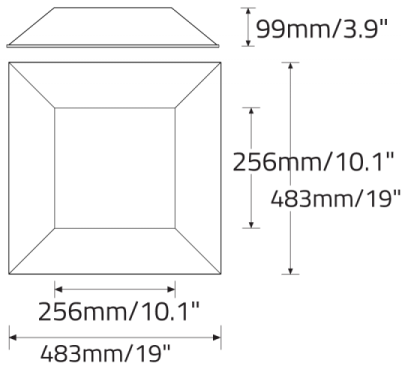
AG3



AG4



AG5



AG6

