

TRAY™ - SUSPENDED

Project Name:

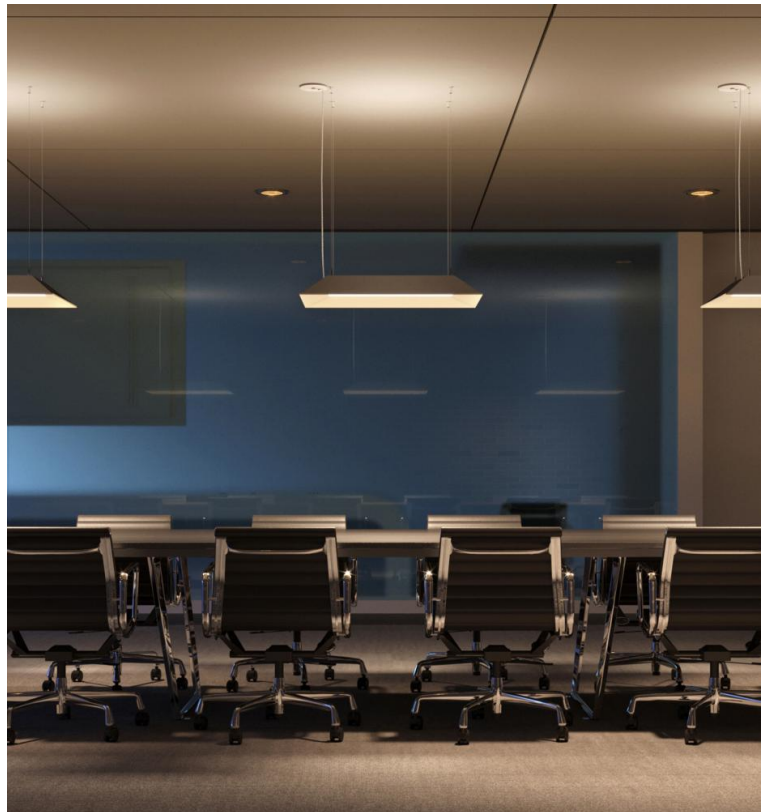
Fixture Type:

Fixture Code:

Quantities:



TRAY™ - SUSPENDED



TRAY™ - SUSPENDED

TRAY portrays a picture frame design. Our intention was to evoke the idea of empty picture frames, characterized by a similar concave design, for use in high-end architectural environments. TRAY is a fresh contemporary alternative to traditional lightbox style fixtures. With sloped back and side surfaces, TRAY creates a floating effect as a suspended fixture.

GENERAL SPECIFICATION

Housing

Aluminum and steel.

Suspension

Steel cables.

Remote emergency

Provides a 1.5 hour (3 hours for EU) emergency lighting facility. The remote system includes the inverter module, NiCad or NiMH batteries and a remote wall/ceiling LED charge indicator and test switch (NA only) Maximum distance between wall/ceiling plate and luminaire is 4.5m/15'. Test switch fits a single gang box (not supplied).

Diffuser

Opal polycarbonate direct, opal polycarbonate or clear polycarbonate indirect.

Mechanical

Mounts directly to a standard electrical junction box (by others - North America only).

Design

US Design Patent Pending.

Finish

Polyester powder coated.

Power cable

Silver braided.

PoE

Tray can integrate into your data network via Power over Ethernet (PoE) connectivity.

Drivers

HPF electronic, 120-277V (EU-240V).

Delivered lumens

Delivered lumens & LPW based on 4000K (min 80 CRI).

Designed by

Serge Cornelissen.

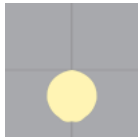
MOUNTING & OPTICS



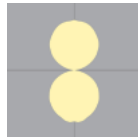
Suspended Direct



Suspended Direct/Indirect



Direct



Direct-indirect



PoE

TRAY™ - SUSPENDED

HOW TO ORDER

A. LUMINAIRE

AF1 12" x 25", Direct, 848 lms
AF5 20" SQ, Direct, 2389 lms

AF2 12" x 45", Direct, 2157 lms
AF6 30" SQ, Direct, 9557 lms

AF3 12" x 94", Direct, 5325 lms
AF11 12" x 25", Direct/Indirect, 1692 lms

AF4 20" x 30", Direct, 4810 lms
AF12 12" x 45", Direct/Indirect, 4259 lms

AF13 12" x 94", Direct/Indirect, 10099 lms

AF14 20" x 30", Direct/Indirect, 9609 lms

AF15 20" SQ, Direct/Indirect, 4758 lms

AF16 30" SQ, Direct/Indirect, 19033 lms

B. CCT (DIRECT)

J2 3000K (min 80 CRI)

J3 3500K (min 80 CRI)

J4 4000K (min 80 CRI)

C. CCT (INDIRECT)

K0 Indirect CCT not required

K2 3000K (min 80 CRI)

K3 3500K (min 80 CRI)

K4 4000K (min 80 CRI)

D. UPLIGHT DIFFUSER

U0 Uplight diffuser not required

U1 Clear diffuser

U2 Opal diffuser

E. DIMMING

D1 0-10V Dimming (1.0%)

D2 0-10V Dimming (0.1%)

D3 347V, 0-10V Dimming (1.0%)

D4 DALI Dimming (0.1%)

D5 DALI Dimming (1.0%)

D6 DSI (EU only)

D7 switchDim (EU only)

DA45 PoE

D6 & D7 dimming not available in North America.

DA45 must be used with EV only.

F. FINISH - FRONT FRAME

G1 White

G02 Black Metallic - Textured

G20 Silver Metallic - Textured

G25 Gold Metallic - Textured

G44 Midnight Blue Metallic - Textured

G45 Copper Metallic

G46 Charcoal Metallic - Textured

G47 Bronze Metallic - Textured

G52 Champagne Metallic

G53 Red Metallic - Textured

G. FINISH - BACK FRAME

H1 White

H02 Black Metallic - Textured

H20 Silver Metallic - Textured

H25 Gold Metallic - Textured

H44 Midnight Blue Metallic - Textured

H45 Copper Metallic

H46 Charcoal Metallic - Textured

H47 Bronze Metallic - Textured

H52 Champagne Metallic

H53 Red Metallic - Textured

H. LUMEN OUTPUT (DIRECT)

L0 100% of standard output

L1 Lumen & wattage reduction to approximately 75% of standard output

L2 Lumen & wattage reduction to approximately 50% of standard output

AF1 and AF11 not available with L1 or L2

I. LUMEN OUTPUT (INDIRECT)

CF0 100% of standard output

CF1 Lumen & wattage reduction to approximately 75% of standard output

CF2 Lumen & wattage reduction to approximately 50% of standard output

CF3 Indirect lumen output not required

AF11 not available with CF1 or CF2

J. EMERGENCY

E0 Emergency system not required

E2 Emergency system - Remote



TRAY™ - SUSPENDED

K. SWITCHING

W0 Single circuit

W1 Separate switching (two power cables supplied)

L. OPTIONAL LOW VOLTAGE

EV Low Voltage

To be used with DA45 only.

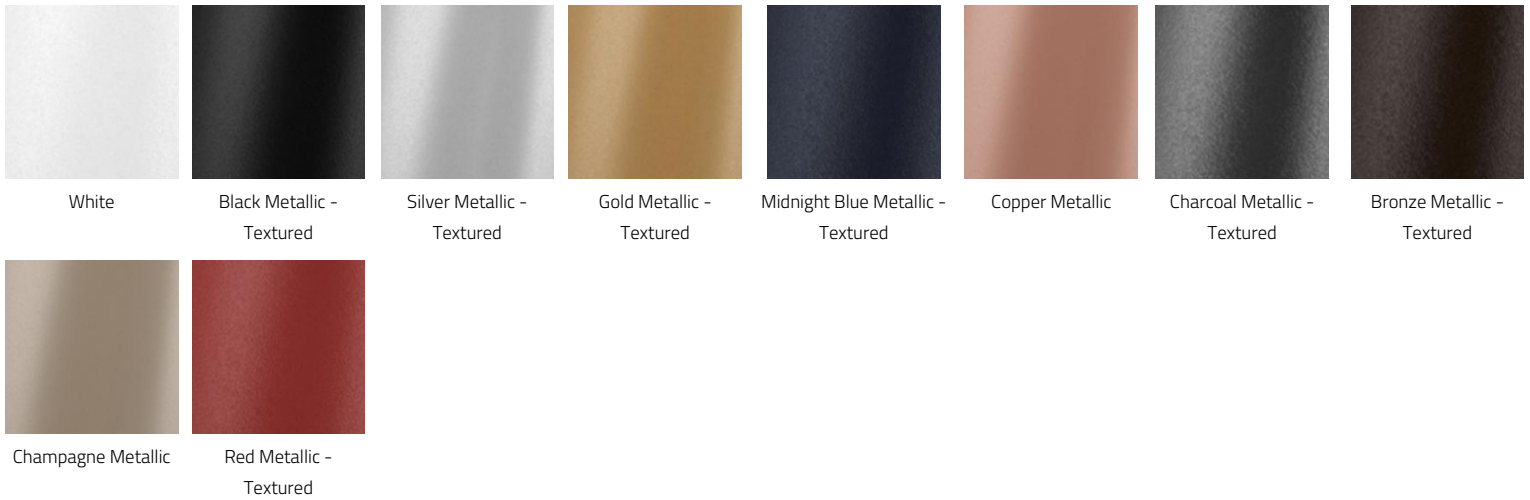
TRAY™ - SUSPENDED

TECHNICAL DATA

LUMINAIRE

Code	AF1	AF2	AF3	AF4	AF5	AF6
Size	12" x 25"	12" x 45"	12" x 94"	20" x 30"	20" SQ	30" SQ
Light Direction	Direct	Direct	Direct	Direct	Direct	Direct
Wattage	7W	18W	42W	34W	17W	69W
Delivered lms	848	2157	5325	4810	2389	9557
LPW	121	123	126	140	139	139
Code	AF11	AF12	AF13	AF14	AF15	AF16
Size	12" x 25"	12" x 45"	12" x 94"	20" x 30"	20" SQ	30" SQ
Light Direction	Direct/Indirect	Direct/Indirect	Direct/Indirect	Direct/Indirect	Direct/Indirect	Direct/Indirect
Wattage	14W	35W	85W	69W	34W	137W
Delivered lms	1692	4259	10099	9609	4758	19033
LPW	120	121	119	140	139	139

FINISH - FRONT

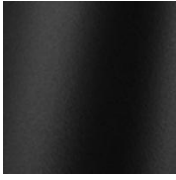


TRAY™ - SUSPENDED

FINISH - BACK



White



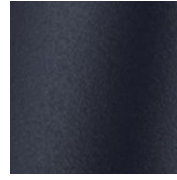
Black Metallic -
Textured



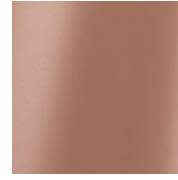
Silver Metallic -
Textured



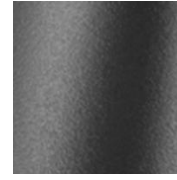
Gold Metallic -
Textured



Midnight Blue Metallic -
Textured



Copper Metallic



Charcoal Metallic -
Textured



Bronze Metallic -
Textured



Champagne Metallic



Red Metallic -
Textured

APPROVALS



DAMP
LOCATION

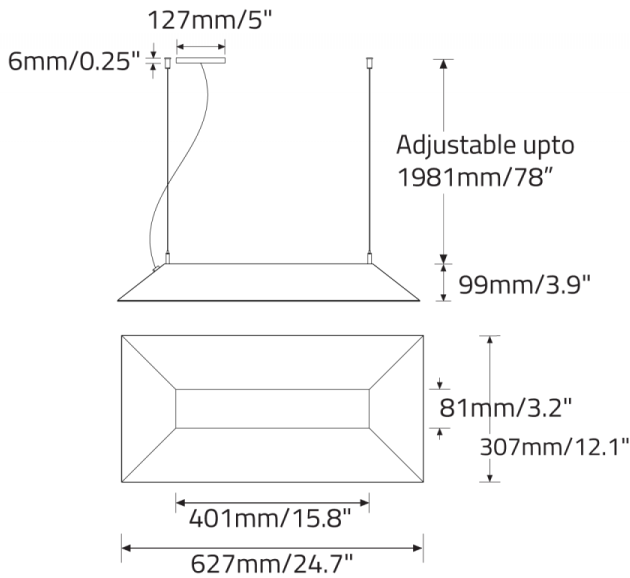


IP20

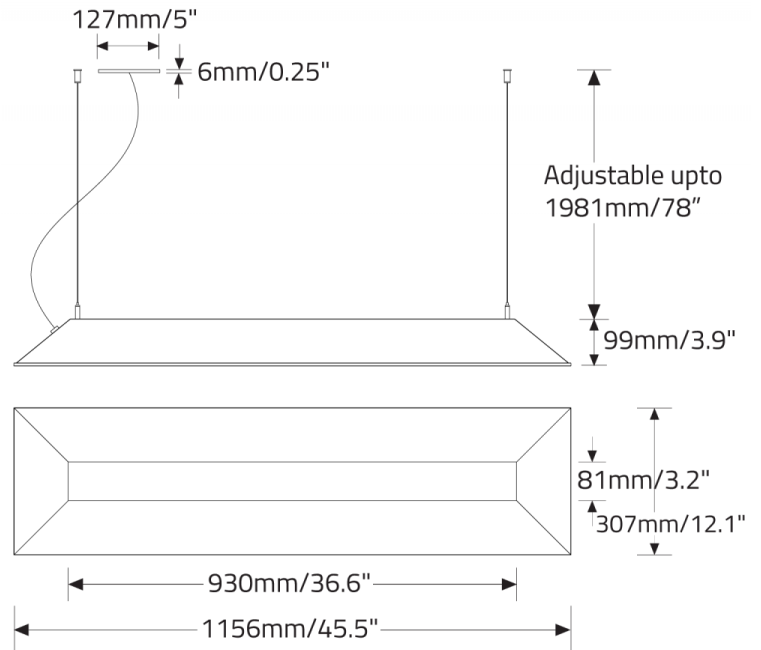
TRAY™ - SUSPENDED

DIMENSIONAL DIAGRAMS

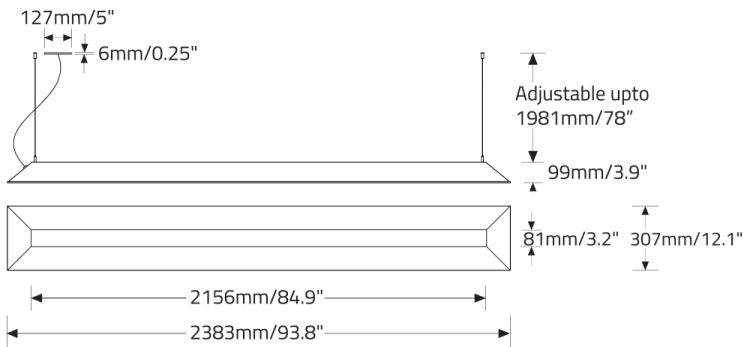
AF1/AF11



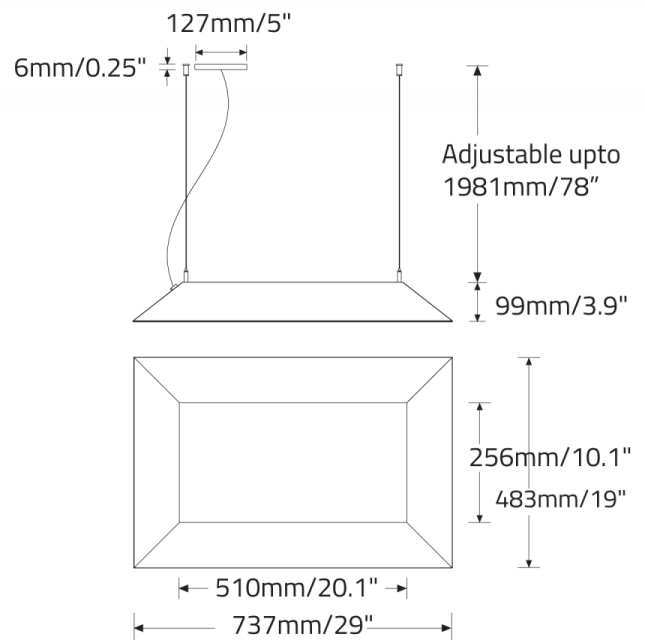
AF2/AF12



AF3/AF13

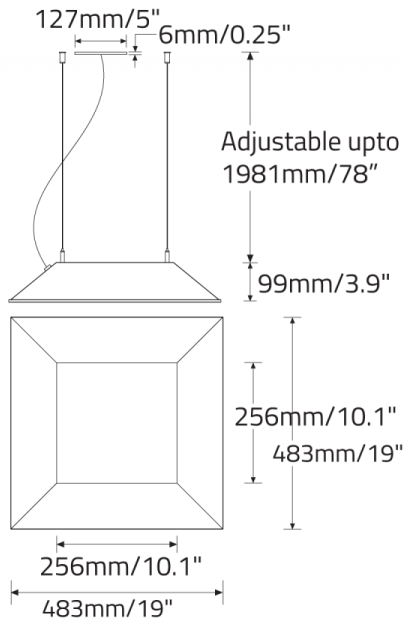


AF4/AF14



TRAY™ - SUSPENDED

AF5/AF15



AF6/AF16

