

TRIPLE™ - POWER CORD SUSPENSION

Project Name:

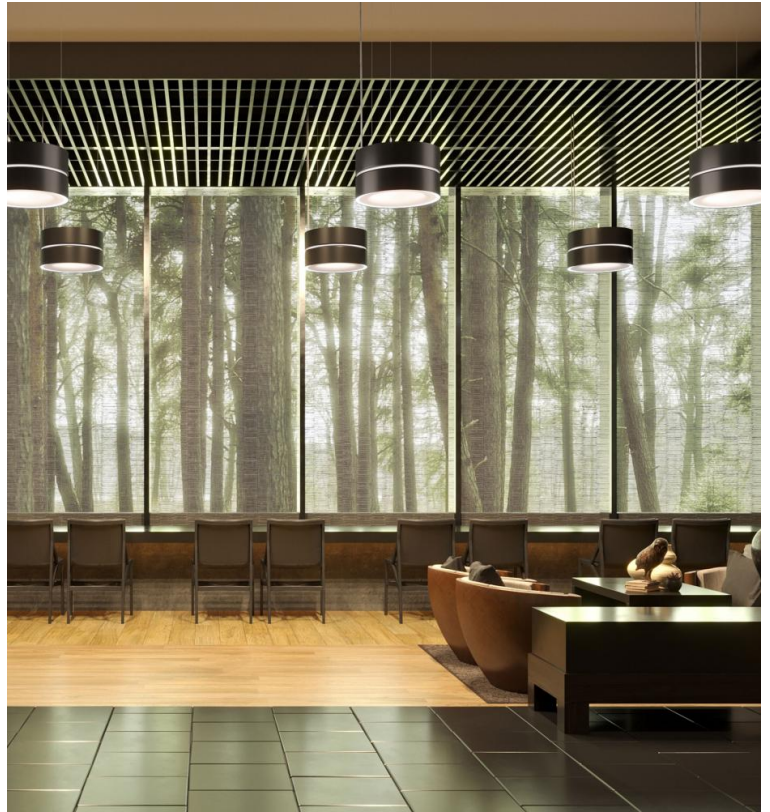
Fixture Type:

Fixture Code:

Quantities:



TRIPLE™ - POWER CORD SUSPENSION



TRIPLE™ - POWER CORD SUSPENSION

TRIPLE is a powerful but elegant pendant system with 3 light sources: downlight, indirect light, and glow ring, that can be controlled independently to set various lighting layers. All this functionality is housed in a uniquely engineered drum design that facilitates the internal airflow to cool all the contained components. This mood-changing power makes TRIPLE an ideal solution for applications where various types of light are needed to enhance the user experience, such as event spaces, hospitality, retail, and workspaces. For each body section, one of 10 finishes can be selected to create a unique combination. This finish feature is handy when designing for playful applications, when you need to match brand themes, or for a pop of color.

GENERAL SPECIFICATION

Body

Aluminum and steel.

Suspension

Steel cables.

Remote emergency

Emergency option provides a 1.5 hour (3 hours for EU) emergency lighting facility. The remote system includes the inverter module, NiCad batteries and a remote wall/ceiling LED charge indicator and test switch (NA only) Maximum distance between wall/ceiling plate and luminaire is 15' (4.5m). Test switch fits a single gang box (not supplied).

Drivers

HPF electronic drivers for 120-277V (EU-240V).

Mechanical

Luminaires mount directly over J box (by others - North America only).

Delivered lumens

Delivered lumens & LPW based on 4000K (min 80 CRI).

Designed by

Serge Cornelissen.

Finish

Powder coated.

Power cable

Silver braided.

Remote mounting of drivers

Wire Size (max distance from canopy to drivers) 18 AWG - 9.5' (2.9m), 16 AWG - 19.5' (5.9m), 14 AWG - 29.5' (9.0m). Drivers must be accessible after installation.

Reported L70 @25°C (77°F)

> 60,000 hrs.

Estimated L70 @25°C (77°F)

> 124,000 hrs.

Design

Triple 6: US Pat. No. D957,030

Triple 13 & 19: US Pat. No. D880,756

MOUNTING & OPTICS



Suspended Direct

Suspended Direct/Indirect

15°

30°

50°

70°

Indirect



TRIPLE™ - POWER CORD SUSPENSION

HOW TO ORDER

A. LUMINAIRE

TRPP1P06 6", Direct, 1400 lms	TRPP1P13 13", Direct, 4500 lms	TRPP1P19 19", Direct, 7500 lms	TRPP2P06 6" ¹ , Direct/Indirect, 2800 lms
TRPP2P13 13", Direct/Indirect, 7300 lms	TRPP2P19 19", Direct/Indirect, 11800 lms		

All data shown at max values.

¹ If ordering 1400 lms for TRPP2P06, fixture will require a larger canopy, see canopy section for details.

B. LUMENS (DIRECT)

LMA0070 700 lms	LMA0140 1400 lms ¹	LMA0150 1500 lms	LMA0300 3000 lms
LMA0450 4500 lms	LMA0520 5200 lms	LMA0750 7500 lms ¹	

Consult website for available lumens/fixture.

¹ If ordering 1400 lms for TRPP2P06, fixture will require a larger canopy, see canopy section for details.

C. LUMENS (INDIRECT)

LMB0000 Not required	LMB0100 1000 lms	LMB0140 1400 lms	LMB0150 1500 lms
LMB0200 2000 lms	LMB0230 2300 lms	LMB0290 2900 lms	LMB0430 4300 lms

Consult website for available lumens/fixture.

D. CRI (DIRECT & INDIRECT)

CR80 CRI 80+	CR90 CRI 90+
---------------------	---------------------

¹ Consult factory if 90 CRI is required for indirect.

E. CCT (DIRECT)

CTA30 3000K	CTA35 3500K	CTA40 4000K
--------------------	--------------------	--------------------

F. CCT (INDIRECT)

CTB00 Not required	CTB30 3000K	CTB35 3500K	CTB40 4000K
---------------------------	--------------------	--------------------	--------------------

G. CCT (GLOW RING)

CTC00 Not required	CTC30 3000K	CTC35 3500K	CTC40 4000K
CTC50 RGBW ¹	CTC54 Red	CTC55 Green	CTC56 Blue

¹ RGBW is supplied with a larger canopy and 2 power cables and is available with DMX driver only. RGBW is not available with 347V.

H. BEAM ANGLE (DIRECT MODULE)

BA15 15°	BA30 30° ¹	BA40 40° ²	BA50 50°
BA70 70°			

¹ Not available with TRPP1P06 & TRPP2P06.

² Available only with TRPP1P06 & TRPP2P06.

³ See website for available beam angles by fixture size.



TRIPLE™ - POWER CORD SUSPENSION

I. UPLIGHT DIFFUSER (UPPER MODULE)

UD0 Not required **UD1** Clear diffuser **UD2** Opal diffuser ¹

¹ 10% reduction in indirect lumens.

J. VOLTAGE

V1 120/277V ¹ **V2** 240V ² **V3** 347V ³

¹ Not available in North America

² Only available with DA01, DB01 & DC01 dimming and TRPP1P13, TRPP2P13, TRPP1P19 & TRPP2P19.

K. DIMMING (DIRECT MODULE)

DA01 0-10V Dimming 1.0% ³ **DA02** 0-10V Dimming 0.1% ¹ **DA20** DALI Dimming 0.1% ¹ **DA21** DALI Dimming 1.0% ^{1 3}
DA30 DSI/switchDim ^{1 2}

¹ Not available with TRPP1P06 or TRPP2P06.

² Not available in North America. Not available with TRPP1P19 or TRPP2P19 with 1500 lms.

³ Not available when ordering TRPP1P13 or TRPP2P13 at 1500 lumens and 347V.

L. DIMMING (INDIRECT MODULE)

DB00 Not required **DB01** 0-10V Dimming 1.0% ³ **DB02** 0-10V Dimming 0.1% ¹ **DB20** DALI Dimming 0.1% ¹
DB21 DALI Dimming 1.0% ¹ **DB30** DSI/switchDim ^{1 2}

¹ Available with TRPP2P13 and TRPP2P19 only.

² Not available in North America. TRPP2P13 is not available when ordering 240V and 1500 lumens. TRPP2P19 is not available wehn ordering 240V and either 1500 lumens or 2000 lumens.

³ Not available when ordering TRPP1P13 or TRPP2P13 at 1500 lumens and 347V.

M. DIMMING (GLOW RING)

DC00 Not required **DC01** 0-10V Dimming 1.0% **DC02** 0-10V Dimming 0.1% ¹ **DC20** DALI Dimming 0.1% ¹
DC21 DALI Dimming 1.0% ¹ **DC30** DSI/switchDim ^{1 2} **DC40** DMX Dimming

¹ Not available with TRPP1P06 or TRPP2P06.

² Not available in North America.

N. FIXTURE FINISH (UPPER MODULE)

FA01 White **FA02** Black Metallic - Textured **FA20** Silver Metallic - Textured **FA25** Gold Metallic - Textured
FA44 Midnight Blue Metallic - Textured **FA45** Copper Metallic **FA46** Charcoal Metallic - Textured **FA47** Bronze Metallic - Textured
FA52 Champagne Metallic **FA53** Red Metallic - Textured

O. FIXTURE FINISH (LOWER MODULE)

FB01 White **FB02** Black Metallic - Textured **FB20** Silver Metallic - Textured **FB25** Gold Metallic - Textured
FB44 Midnight Blue Metallic - Textured **FB45** Copper Metallic **FB46** Charcoal Metallic - Textured **FB47** Bronze Metallic - Textured
FB52 Champagne Metallic **FB53** Red Metallic - Textured

P. FIXTURE FINISH (FUNNEL)

FC01 White **FC02** Black Metallic - Textured **FC20** Silver Metallic - Textured **FC25** Gold Metallic - Textured
FC44 Midnight Blue Metallic - Textured **FC45** Copper Metallic **FC46** Charcoal Metallic - Textured **FC47** Bronze Metallic - Textured
FC52 Champagne Metallic **FC53** Red Metallic - Textured

TRIPLE™ - POWER CORD SUSPENSION

Q. CANOPY

CN1 Canopy A ¹

CN2 Canopy B ²

CN3 Canopy C ³

CN4 Canopy D *

¹ Drivers are integral within the fixture. Not available with RGBW. Not available with TRPP2P06 (6" Direct/Indirect) when 1400 lumens direct are required.

² Drivers are in the canopy and can be used with RGBW. Available with TRPP2P06 (6" Direct/Indirect) when 1400 lumens direct are required.

³ Drivers are in a remote box and can be used with RGBW for both North America and Europe. Available with TRPP2P06 (6" Direct/Indirect) when 1400 lumens direct are required. For the 6" fixture the max distance for the remote driver is 25ft and for the 13" and 19" fixtures the max distance is 350ft.

For use with V2 (240V) only when RGBW is not required.

R. CANOPY FINISH

CF01 White

CF02 Black Metallic - Textured

CF20 Silver Metallic - Textured

CF25 Gold Metallic - Textured

CF44 Midnight Blue Metallic - Textured

CF45 Copper Metallic

CF46 Charcoal Metallic - Textured

CF47 Bronze Metallic - Textured

CF52 Champagne Metallic

CF53 Red Metallic - Textured

S. EMERGENCY SYSTEM

E0 Not required

E2 Emergency system - Remote

T. CIRCUITS

CS1 Single circuit ¹

CS2 Dual circuit ²

CS3 Triple circuit ³

¹ The entire fixture will be on one circuit, 1 power cable will be supplied. If RGBW is being ordered for the Glow ring then 2 power cables will be supplied.

² Glow ring will be on a separate circuit from the main fixture. One power cable will be supplied. If RGBW is being ordered for the Glow ring then 2 power cables will be supplied. If Glow Ring is not selected, then direct and Indirect will be on a separate circuit.

³ Direct, Indirect and Glow ring will all be on separate circuits. Two power cables will be supplied. When ordering with TRPP2P06 and CN2/CN3 canopy and no RGBW, 1 power cord will be supplied.



TRIPLE™ - POWER CORD SUSPENSION

TECHNICAL DATA

LUMINAIRE

All data shown at max values.

¹ If ordering 1400 lms for TRPP2P06, fixture will require a larger canopy, see canopy section for details.

Code	TRPP1P06	TRPP1P13	TRPP1P19	TRPP2P06	TRPP2P13	TRPP2P19
Diameter	6"	13"	19"	6" ¹	13"	19"
Light Direction	Direct	Direct	Direct	Direct/Indirect	Direct/Indirect	Direct/Indirect
Wattage	14W	41W	65W	24W	62W	96W
Delivered lms	1400	4500	7500	2800	7300	11800
LPW	120	129	131	139	139	139

FINISH (UPPER MODULE)



White

Black Metallic -
Textured

Silver Metallic -
Textured

Gold Metallic -
Textured

Midnight Blue Metallic -
Textured

Copper Metallic

Charcoal Metallic -
Textured

Bronze Metallic -
Textured



Champagne Metallic

Red Metallic -
Textured

FINISH (LOWER MODULE)



White

Black Metallic -
Textured

Silver Metallic -
Textured

Gold Metallic -
Textured

Midnight Blue Metallic -
Textured

Copper Metallic

Charcoal Metallic -
Textured

Bronze Metallic -
Textured

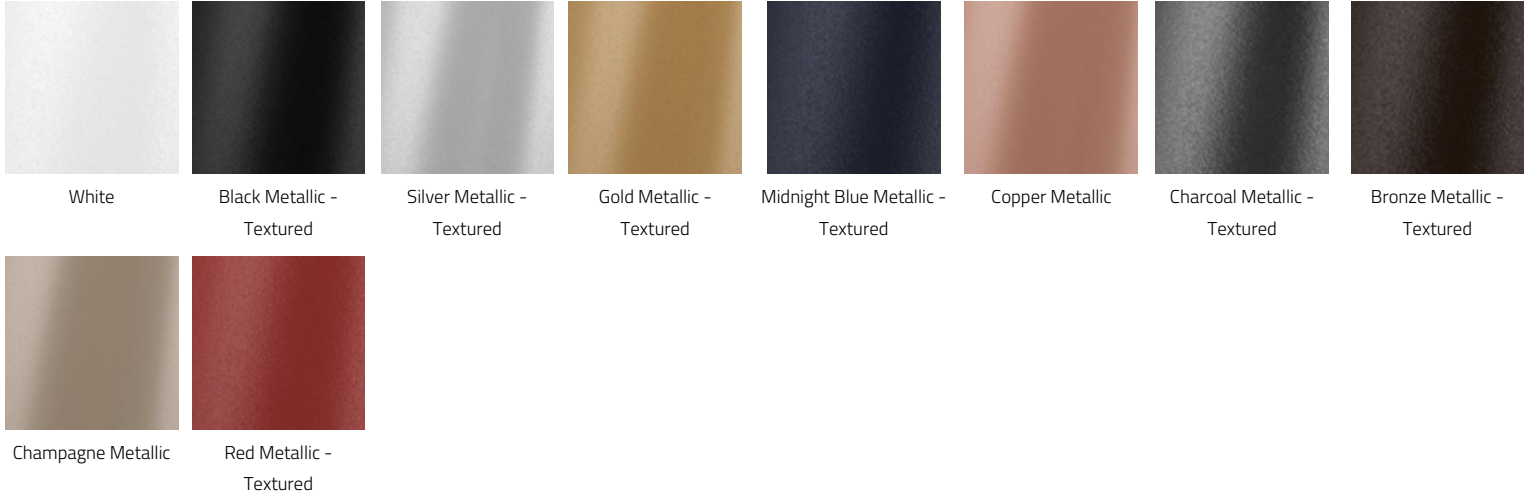


Champagne Metallic

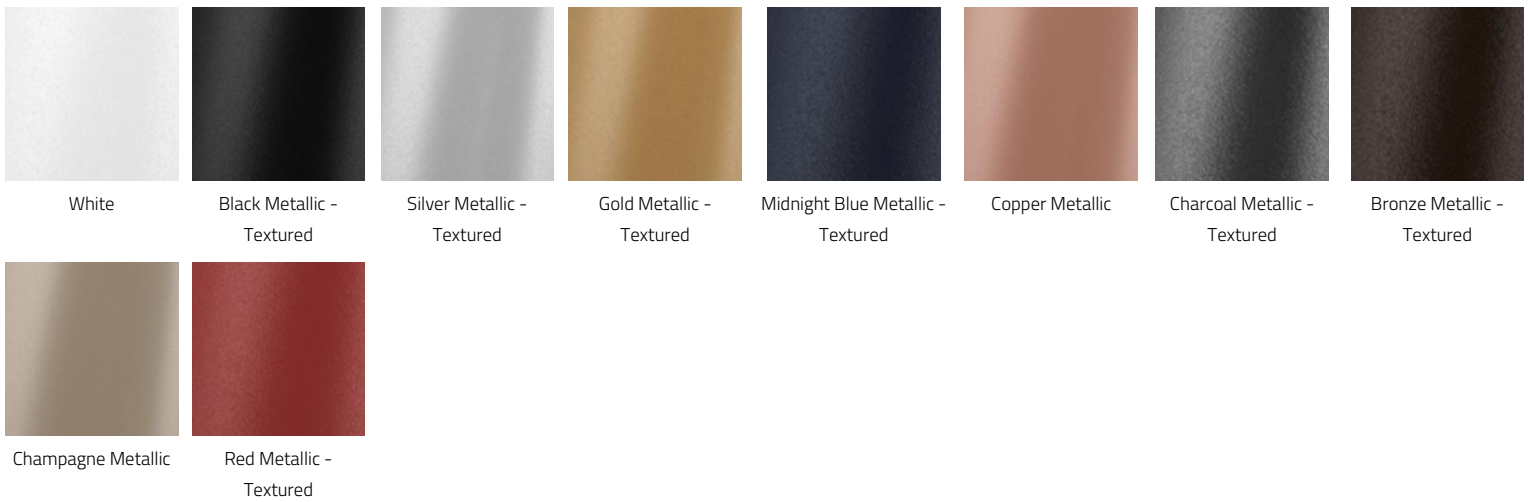
Red Metallic -
Textured

TRIPLE™ - POWER CORD SUSPENSION

FINISH (FUNNEL)



FINISH CANOPY



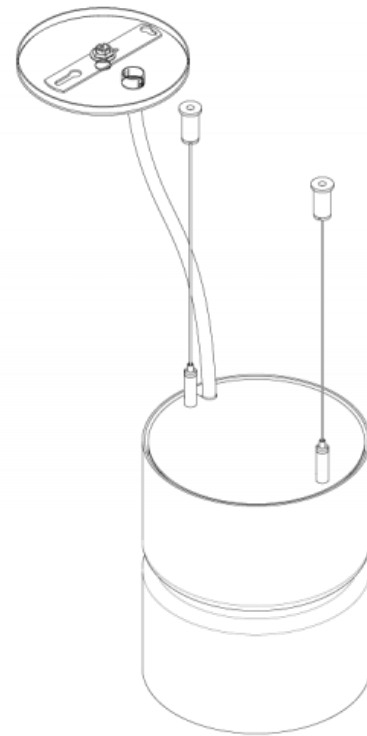
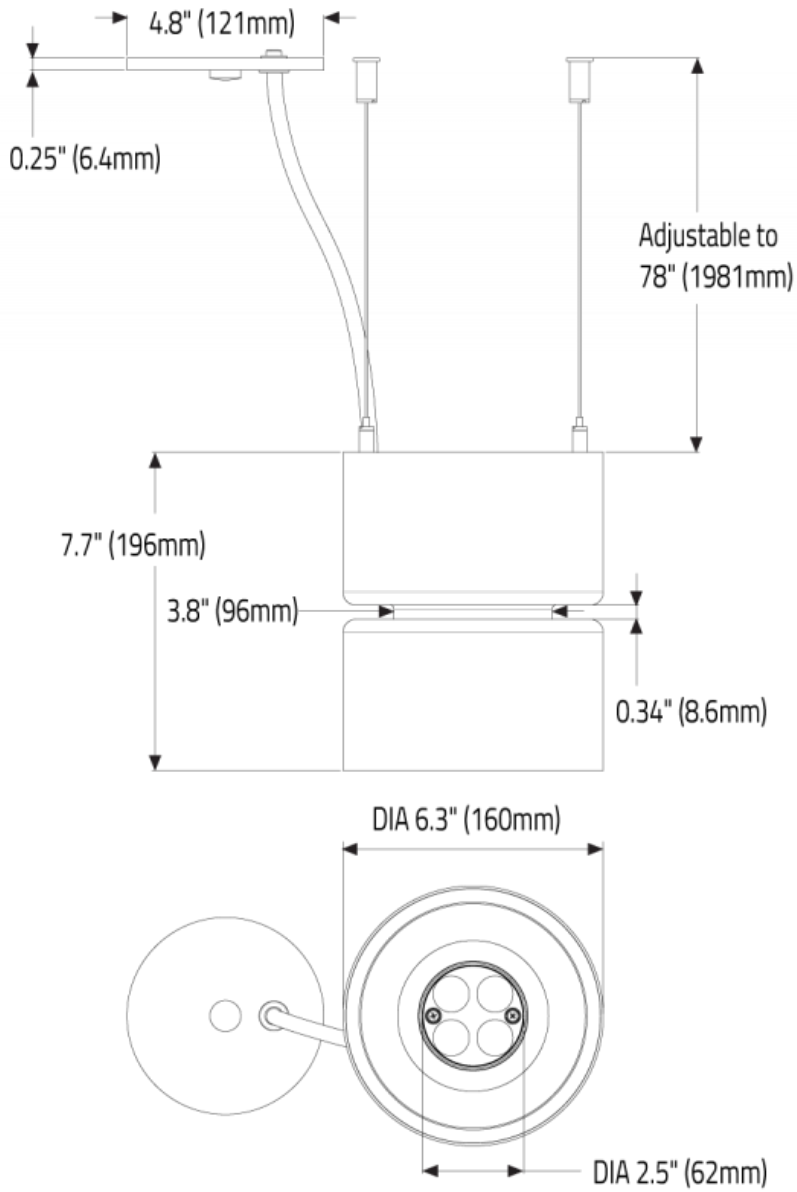
APPROVALS



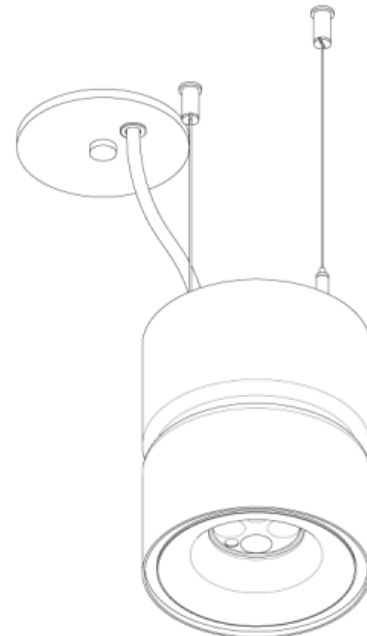
TRIPLE™ - POWER CORD SUSPENSION

DIMENSIONAL DIAGRAMS

6" Diameter



ISO View - Top

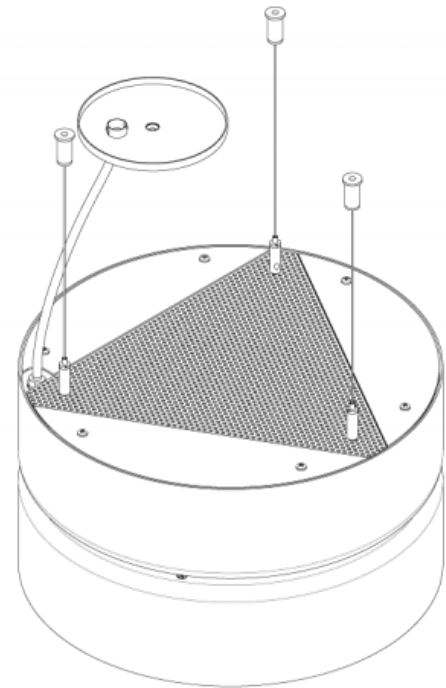
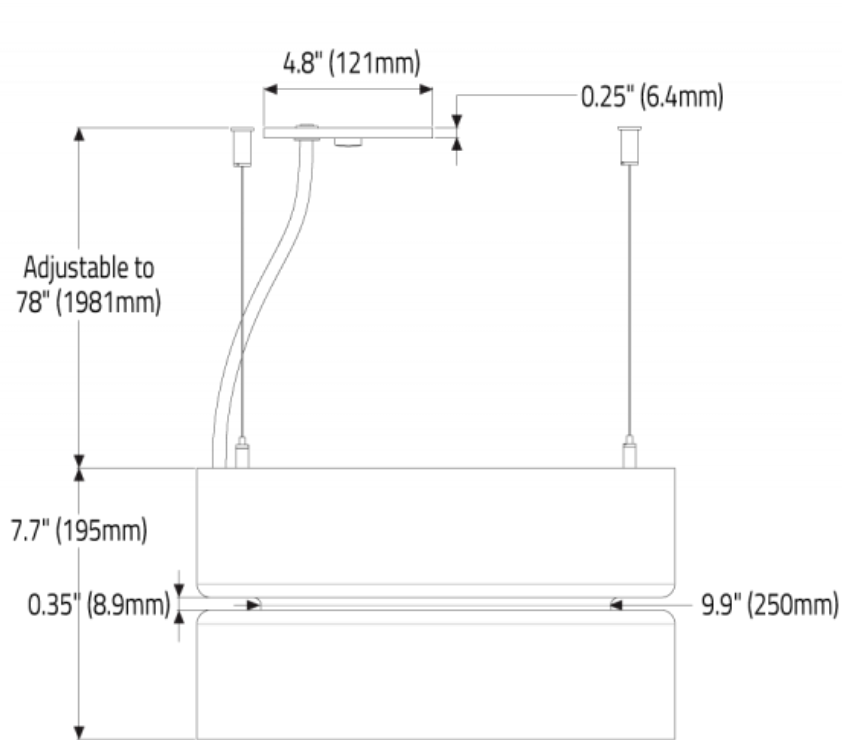


ISO View - Bottom

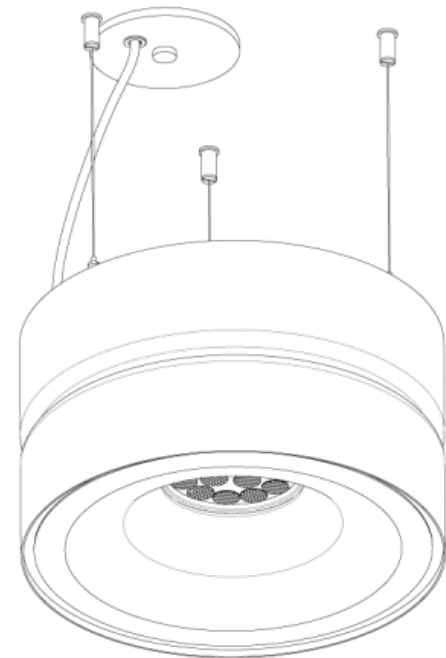
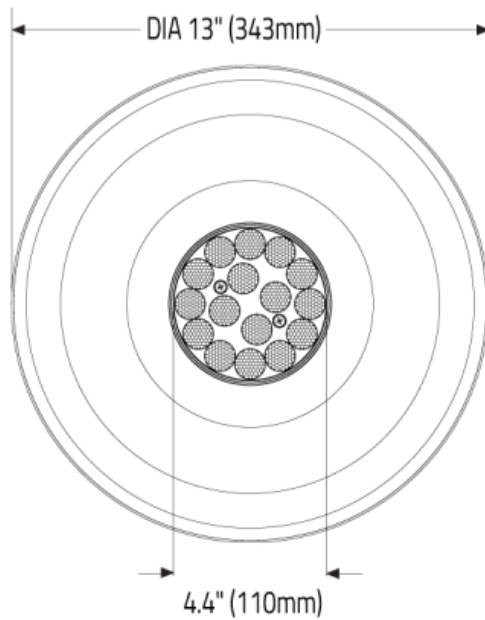


TRIPLE™ - POWER CORD SUSPENSION

13" Diameter



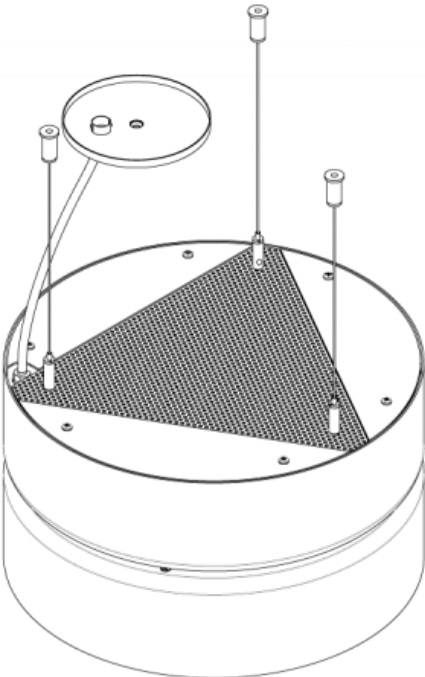
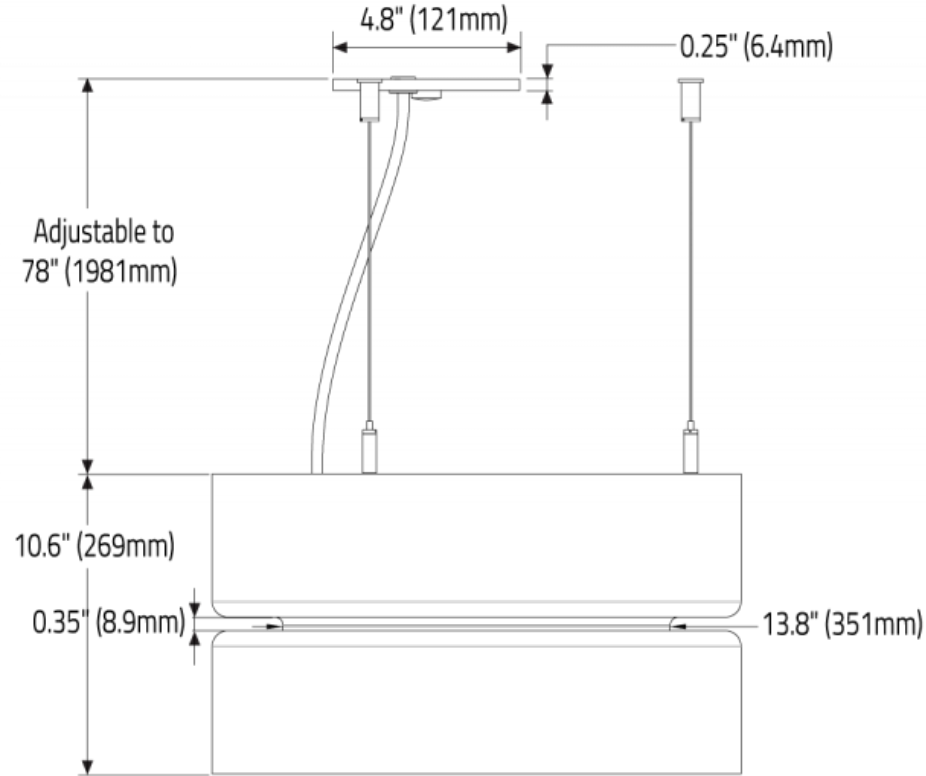
ISO View - Top



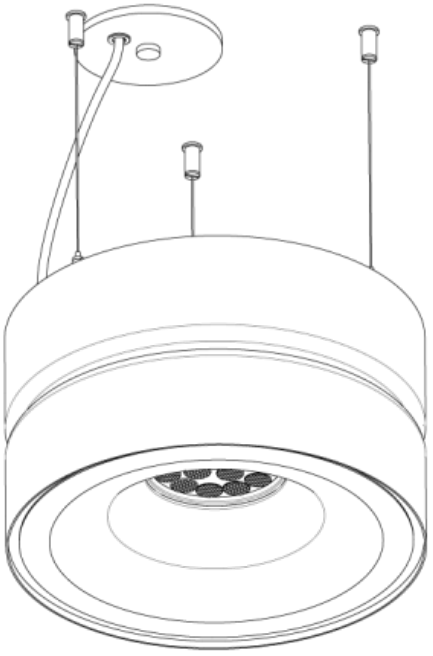
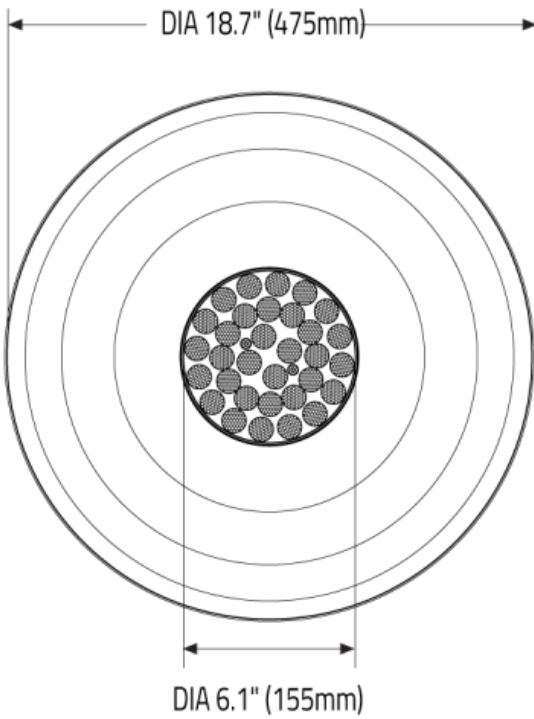
ISO View - Bottom

TRIPLE™ - POWER CORD SUSPENSION

19" Diameter



ISO View - Top



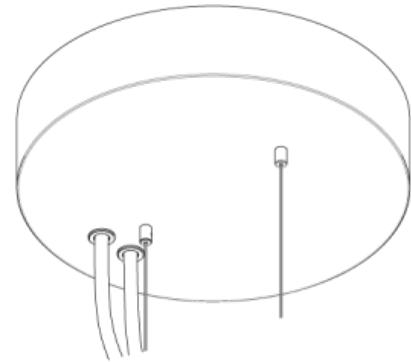
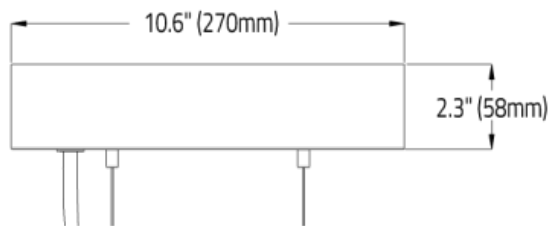
ISO View - Bottom

TRIPLE 6" CANOPIES

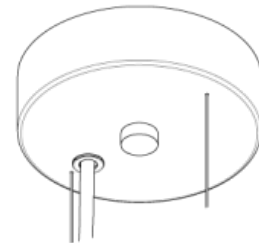
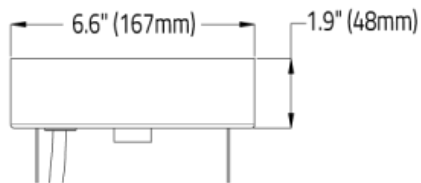


CN1 (Canopy A) Drivers are Integral within the fixture, not available with RGBW or TRPP2PO6 when ordering 1400 lms direct.

CN3 (Canopy C) Drivers are in the remote box and can be used with RGBW for both NA & EU.

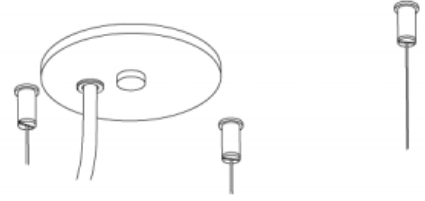
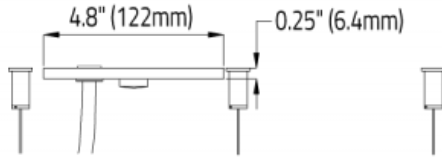


CN2 (Canopy B) Drivers are in the canopy and can be used with RGBW.



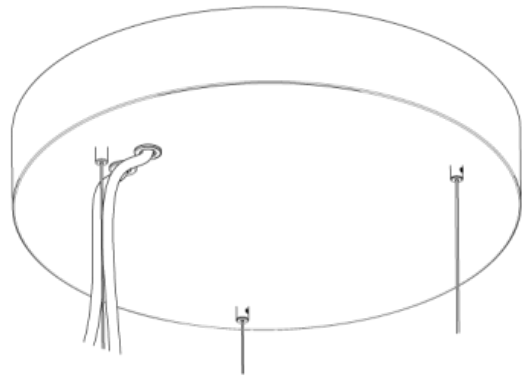
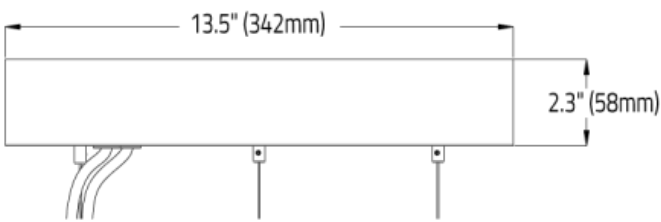
CN4 (Canopy D) For use with 240V only when RGBW is not required.

TRIPLE 13" CANOPIES

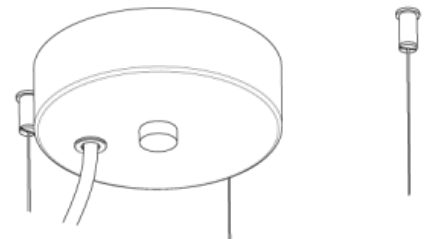
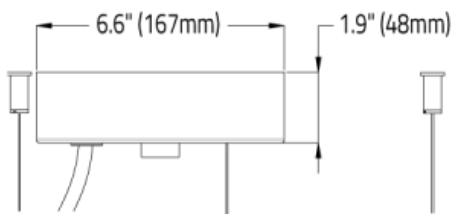


CN1 (Canopy A) Drivers are Integral within the fixture, not available with RGBW or TRPP2PO6 when ordering 1400 lms direct.

CN3 (Canopy C) Drivers are in the remote box and can be used with RGBW for both NA & EU.

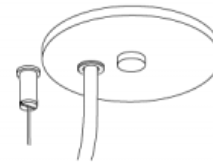
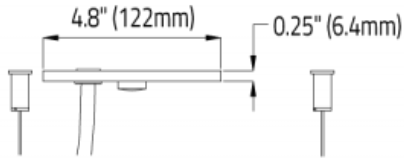


CN2 (Canopy B) Drivers are in the canopy and can be used with RGBW.



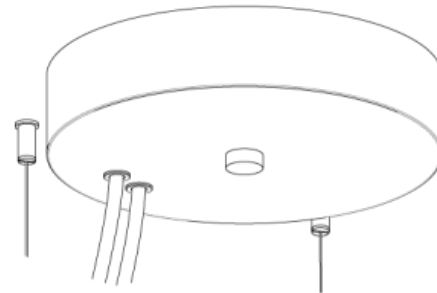
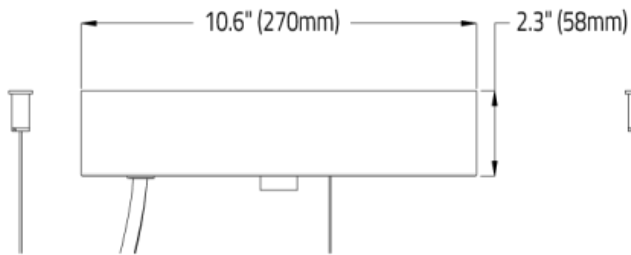
CN4 (Canopy D) For use with 240V only when RGBW is not required.

TRIPLE 19" CANOPIES

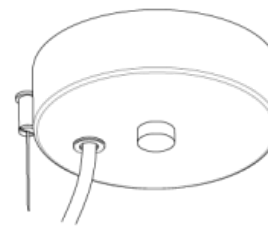
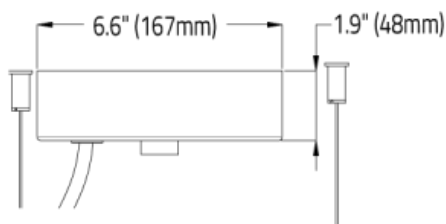


CN1 (Canopy A) Drivers are Integral within the fixture, not available with RGBW or TRPP2PO6 when ordering 1400 lms direct.

CN3 (Canopy C) Drivers are in the remote box and can be used with RGBW for both NA & EU.



CN2 (Canopy B) Drivers are in the canopy and can be used with RGBW.



CN4 (Canopy D) For use with 240V only when RGBW is not required.