

TRIPLE™ - SUSPENDED

Project Name:

Fixture Type:

Fixture Code:

Quantities:

A. LUMINAIRE

TRPL1P06 6" Direct, 1400 lms	TRPL1P13 13" Direct, 4500 lms	TRPL1P19 19" Direct, 7500 lms	TRPL2P06 6" Direct/Indirect, 2800 lms
TRPL2P13 13" Direct/Indirect, 7300 lms	TRPL2P19 19" Direct/Indirect, 11800 lms		

All data shown at max values.

B. LUMENS (DIRECT)

LMA0070 700 lms	LMA0140 1400 lms	LMA0150 1500 lms	LMA0300 3000 lms
LMA0450 4500 lms	LMA0520 5200 lms	LMA0750 7500 lms ¹	

Consult website for available lumens/fixture diameter.

¹ Available only with V1 voltage and DAO1 dimming.

C. LUMENS (INDIRECT)

LMB0000 Not required	LMB0100 1000 lms	LMB0140 1400 lms	LMB0150 1500 lms
LMB0200 2000 lms	LMB0230 2300 lms	LMB0290 2900 lms	LMB0430 4300 lms

Consult website for available lumens/fixture diameter.

D. CRI (DIRECT & INDIRECT)

CR80 CRI 80+	CR90 CRI 90+
---------------------	---------------------

¹ Consult factory if 90 CRI is required for indirect.

E. CCT (DIRECT)

CTA27 2700K ¹	CTA30 3000K	CTA35 3500K	CTA40 4000K
---------------------------------	--------------------	--------------------	--------------------

¹ 2700K is only available with 13", 19", and CRI 80+

F. CCT (INDIRECT)

CTB00 Not required	CTB27 2700K	CTB30 3000K	CTB35 3500K
CTB40 4000K			

G. CCT (GLOW RING)

CTC00 Not required	CTC27 2700K	CTC30 3000K	CTC35 3500K
CTC40 4000K	CTC50 RGBW ¹	CTC54 Red	CTC55 Green
CTC56 Blue			

¹ RGBW is supplied with an extra power cable and is available with DMX dimming only.

Not available with V3. See dimensional diagrams for details.



TRIPLE™ - SUSPENDED

H. BEAM ANGLE (DIRECT MODULE)

BA15 15°	BA30 30° ¹	BA40 40° ²	BA50 50°
BA70 70°			

¹ Not available with 6" version.

² Available only with 6" version.

³ See website for available beam angles by fixture size.

I. UPLIGHT DIFFUSER (UPPER MODULE)

UD0 Not required	UD1 Clear diffuser	UD2 Opal diffuser ¹
-------------------------	---------------------------	---------------------------------------

¹ 10% reduction in indirect lumens.

J. VOLTAGE

V1 120/277V ¹	V2 240V ²	V3 347V ³
---------------------------------	-----------------------------	-----------------------------

¹ LMA0750 (7500 lms) is available with V1 only.

² Not available in North America.

³ Only available with DA01, DB01 & DC01 dimming and 13" and 19" versions.

Not available with LMA0150 or LMB0150 (1500 lms).

K. DIMMING (DIRECT MODULE)

DA01 0-10V Dimming 1.0%	DA02 0-10V Dimming 0.1%	DA20 DALI Dimming 0.1%	DA21 DALI Dimming 1.0%
--------------------------------	--------------------------------	-------------------------------	-------------------------------

L. DIMMING (INDIRECT MODULE)

DB00 Not required	DB01 0-10V Dimming 1.0%	DB02 0-10V Dimming 0.1%	DB20 DALI Dimming 0.1%
DB21 DALI Dimming 1.0%			

M. DIMMING (GLOW RING)

DC00 Not required	DC01 0-10V Dimming 1.0%	DC02 0-10V Dimming 0.1%	DC20 DALI Dimming 0.1%
DC21 DALI Dimming 1.0%	DC40 DMX Dimming		

N. FIXTURE FINISH (UPPER MODULE)

FA01 White	FA02 Black Metallic - Textured	FA20 Silver Metallic - Textured	FA25 Gold Metallic - Textured
FA44 Midnight Blue Metallic - Textured	FA45 Copper Metallic	FA46 Charcoal Metallic - Textured	FA47 Bronze Metallic - Textured
FA52 Champagne Metallic	FA53 Red Metallic - Textured		

O. FIXTURE FINISH (LOWER MODULE)

FB01 White	FB02 Black Metallic - Textured	FB20 Silver Metallic - Textured	FB25 Gold Metallic - Textured
FB44 Midnight Blue Metallic - Textured	FB45 Copper Metallic	FB46 Charcoal Metallic - Textured	FB47 Bronze Metallic - Textured
FB52 Champagne Metallic	FB53 Red Metallic - Textured		

P. FIXTURE FINISH (FUNNEL)

FC01 White	FC02 Black Metallic - Textured	FC20 Silver Metallic - Textured	FC25 Gold Metallic - Textured
FC44 Midnight Blue Metallic - Textured	FC45 Copper Metallic	FC46 Charcoal Metallic - Textured	FC47 Bronze Metallic - Textured
FC52 Champagne Metallic	FC53 Red Metallic - Textured		



TRIPLE™ - SUSPENDED

Q. CANOPY

CN1 Canopy A ¹

CN2 Canopy B ²

¹ Drivers are integral within the canopy.

If ordering the 6" diameter fixture version only in any combination other than V1, DA01, DB01 and DC01, then a larger version of CN1 will be supplied. See dimensional diagrams for details.

² Drivers are in a remote box.

R. CANOPY FINISH

CF01 White

CF02 Black Metallic - Textured

CF20 Silver Metallic - Textured

CF25 Gold Metallic - Textured

CF44 Midnight Blue Metallic - Textured

CF45 Copper Metallic

CF46 Charcoal Metallic - Textured

CF47 Bronze Metallic - Textured

CF52 Champagne Metallic

CF53 Red Metallic - Textured

S. EMERGENCY SYSTEM

E0 Not required

E2 Emergency system - Remote

T. CIRCUITS

CS1 Single circuit ¹

CS2 Dual circuit ²

CS3 Triple circuit ³

¹ The entire fixture will be on one circuit.

² Glow ring will be on a separate circuit from the main fixture. If Glow ring is not selected, Direct and Indirect will be on a separate circuit.

³ Direct, Indirect and Glow ring will all be on separate circuits.



TRIPLE™ - SUSPENDED

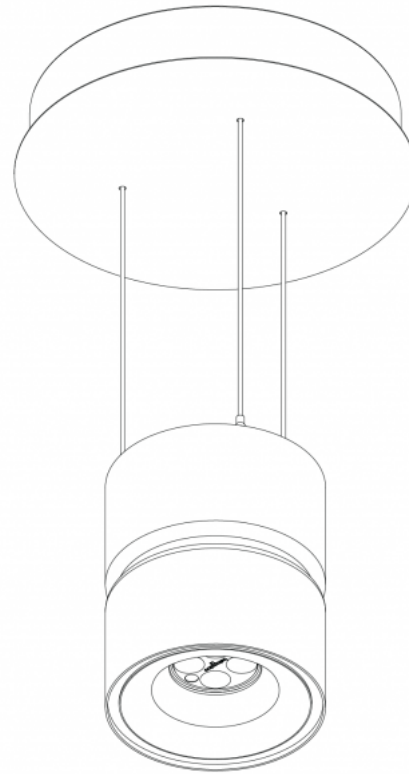
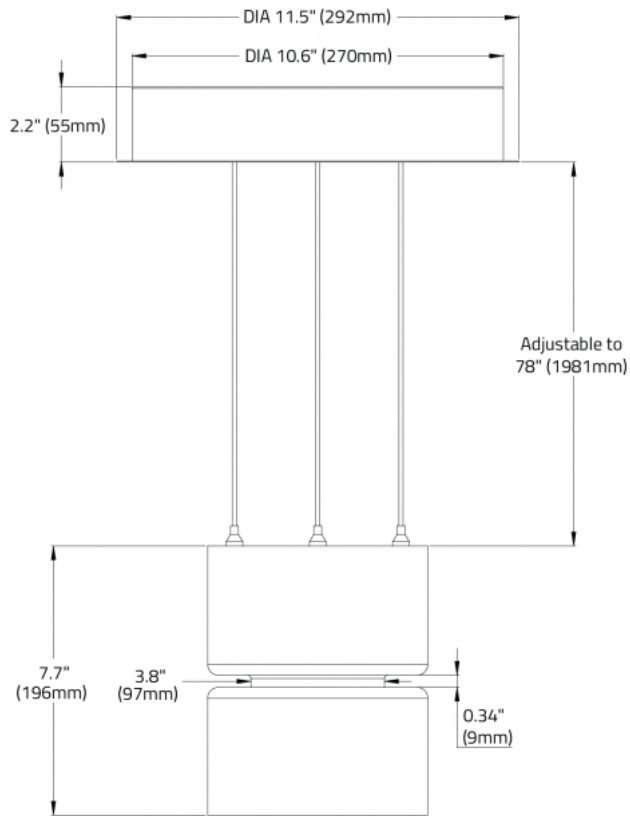
DIMENSIONAL DIAGRAMS

CANOPY: CN1 - Canopy A

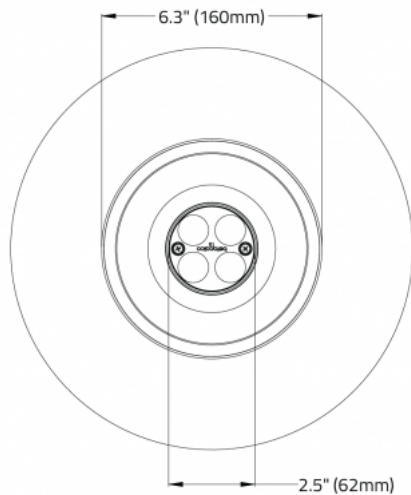
VOLTAGE: V1 - 120/277V

DIMMING: DA01 - 0-10V Dimming 1.0%

6" Direct / Direct / Indirect



Isometric View

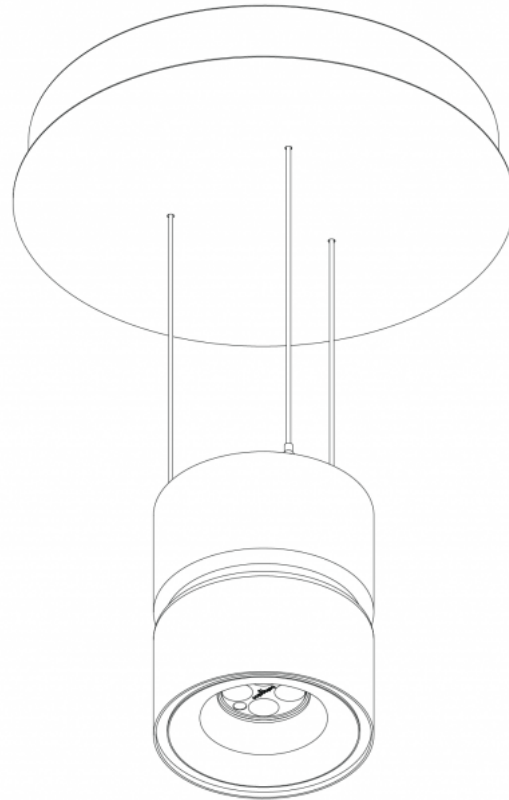
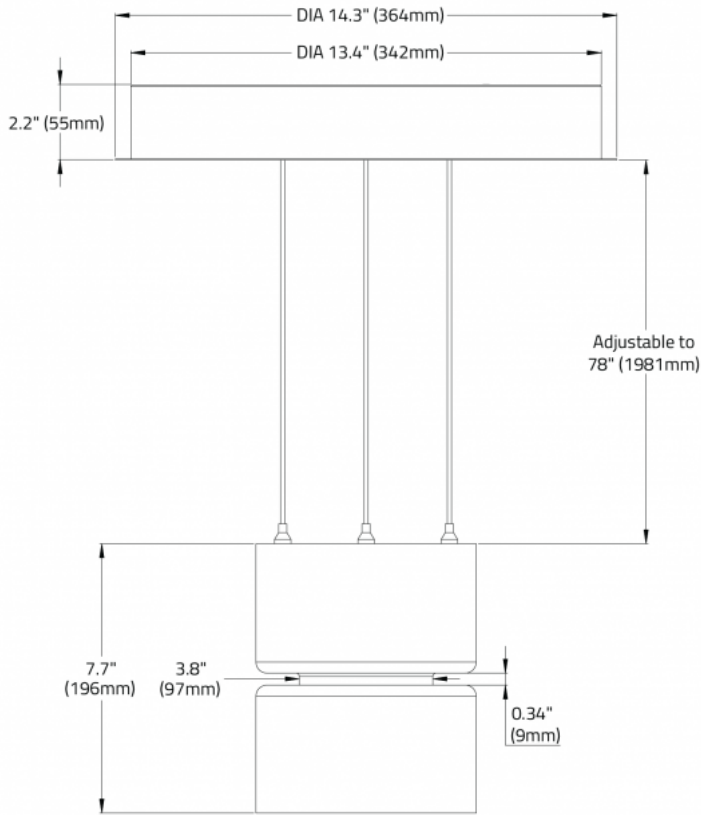


TRIPLE™ - SUSPENDED

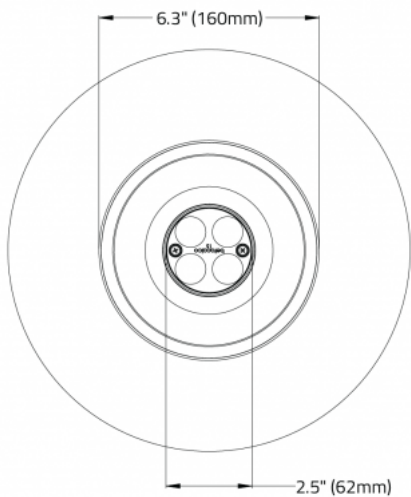
CANOPY: CN1 - Canopy A
VOLTAGE: V2 - 240V

CANOPY: CN1 - Canopy A
VOLTAGE: V1 - 120/277V
DIMMING: DA02 - 0-10V Dimming 0.1%, DA20 - DALI Dimming 0.1%
DA21 - DALI Dimming 1.0%

6" Direct / Direct / Indirect



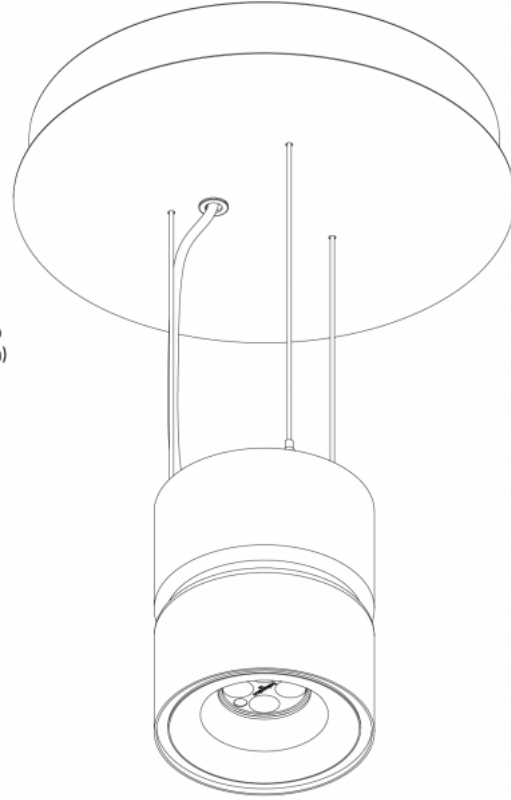
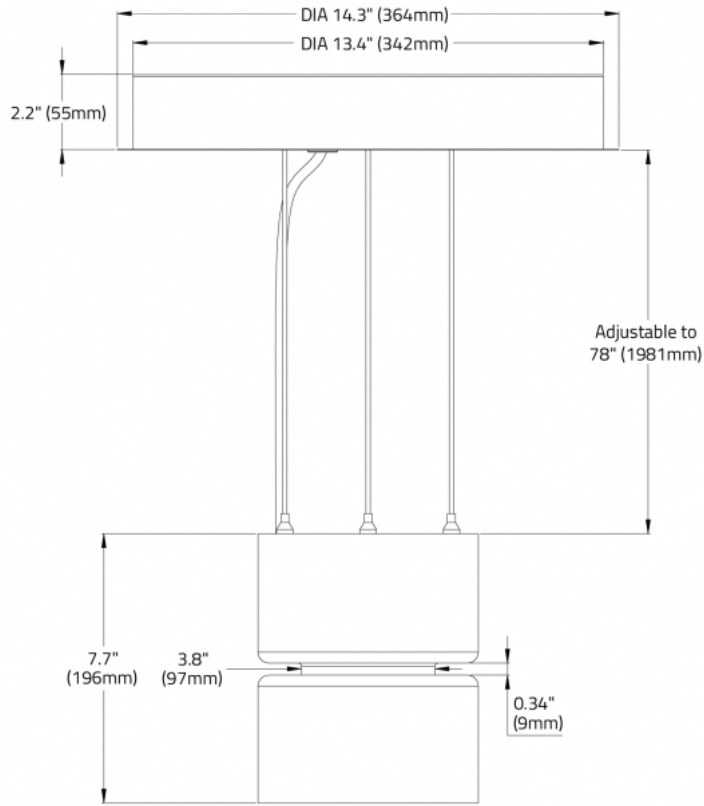
Isometric View



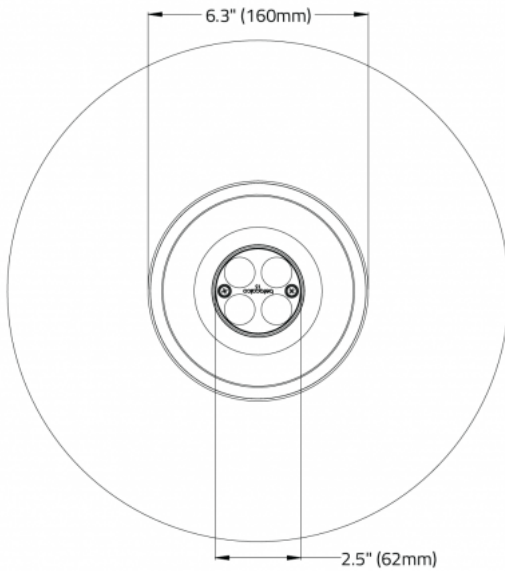
TRIPLE™ - SUSPENDED

CANOPY: CN1 - Canopy A
CCT (GLOW RING): CTC50 - RGBW

6" Direct / Direct / Indirect



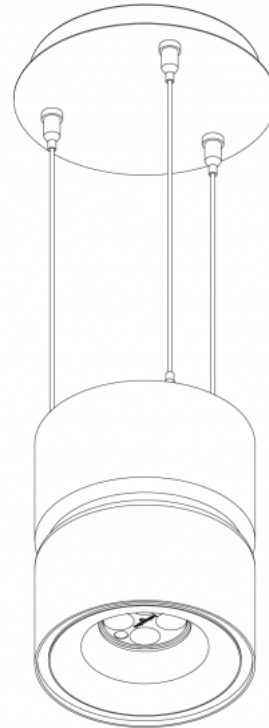
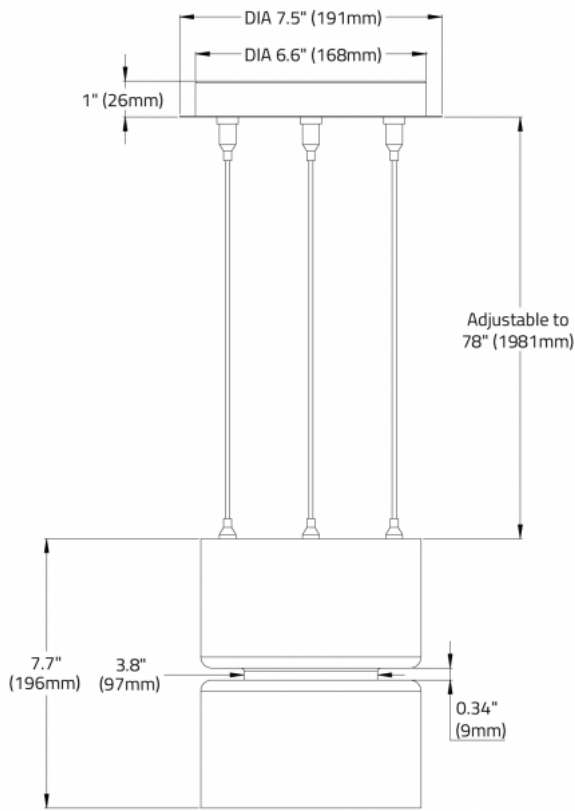
Isometric View



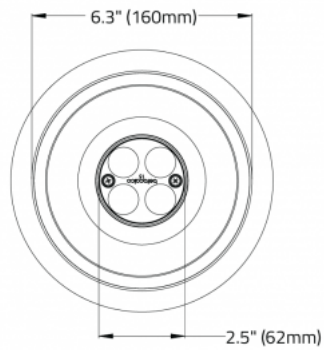
TRIPLE™ - SUSPENDED

CANOPY: CN2 - Canopy B

6" Direct / Direct / Indirect



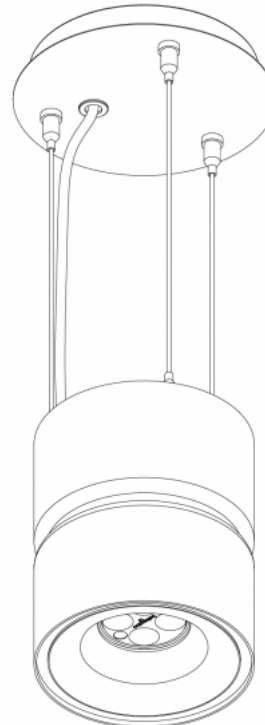
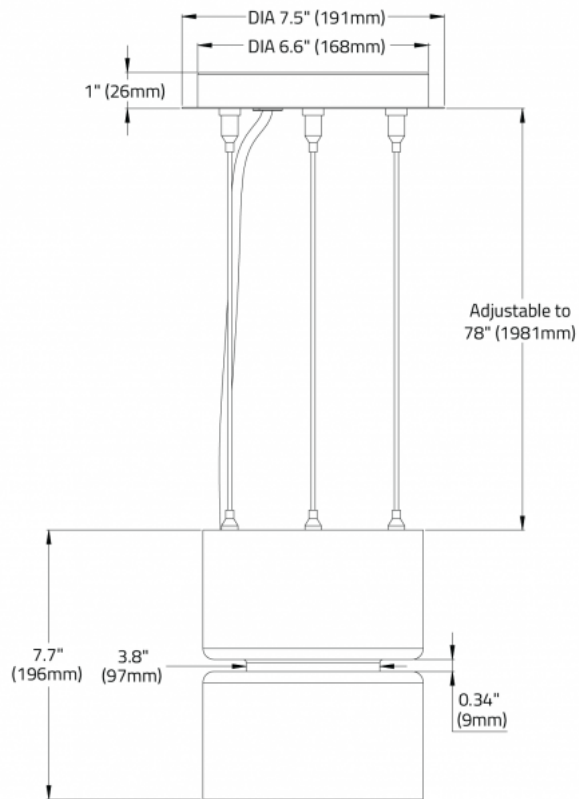
Isometric View



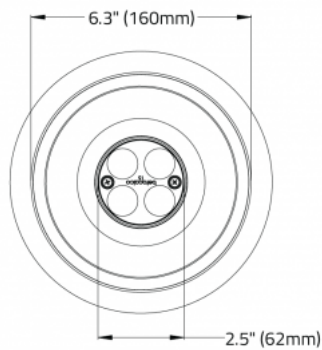
TRIPLE™ - SUSPENDED

CANOPY: CN2 - Canopy B
CCT (GLOW RING): CTC50 - RGBW

6" Direct / Direct / Indirect



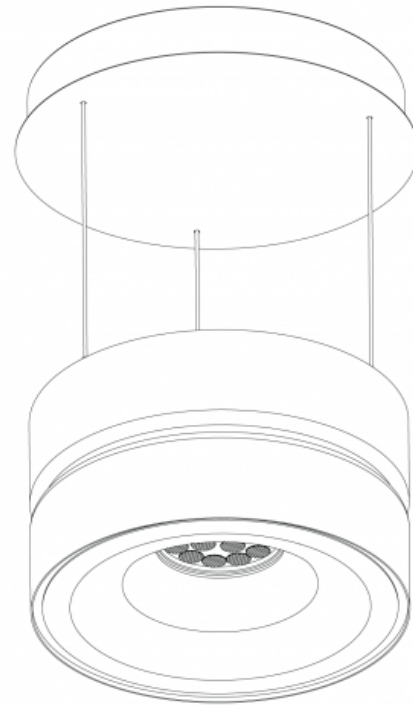
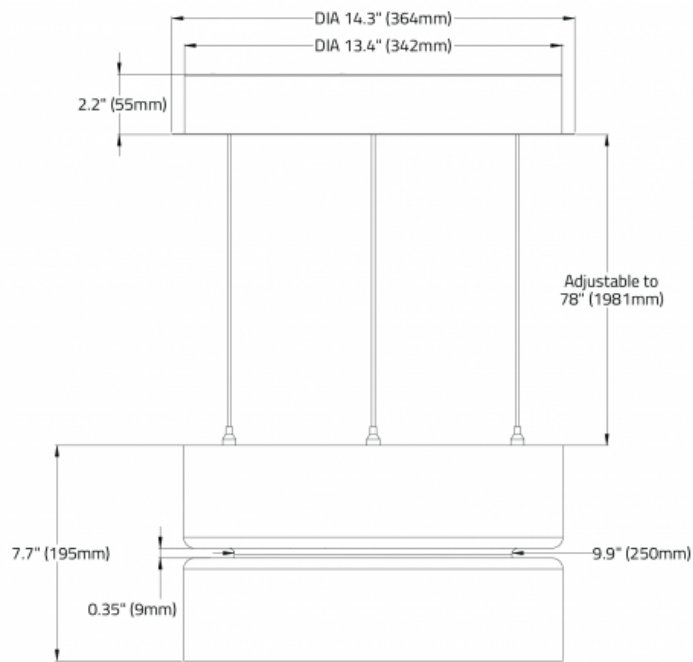
Isometric View



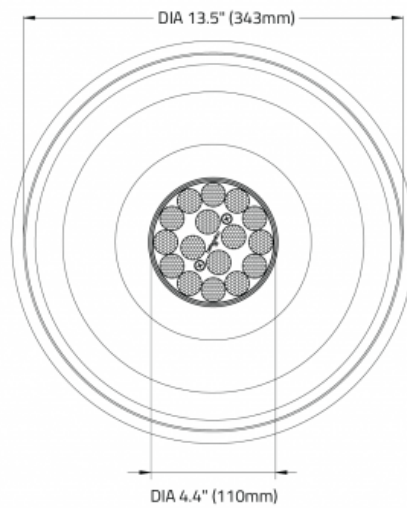
TRIPLE™ - SUSPENDED

CANOPY: CN1 - Canopy A

13" Direct / Direct / Indirect



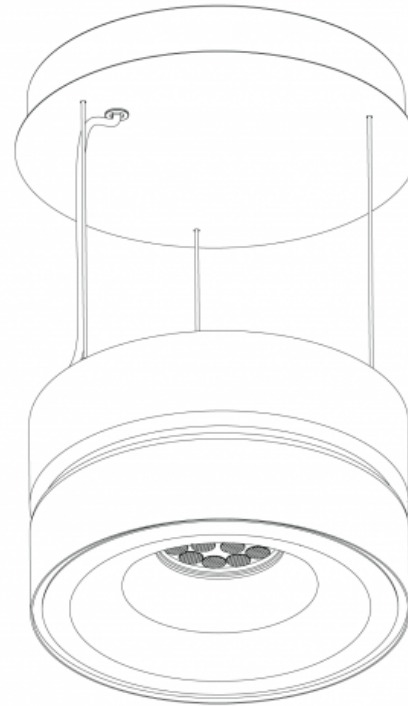
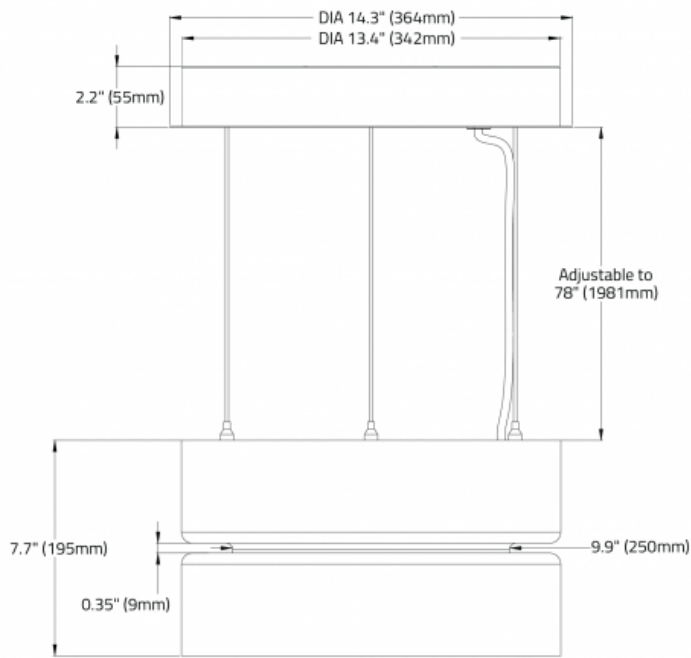
Isometric View



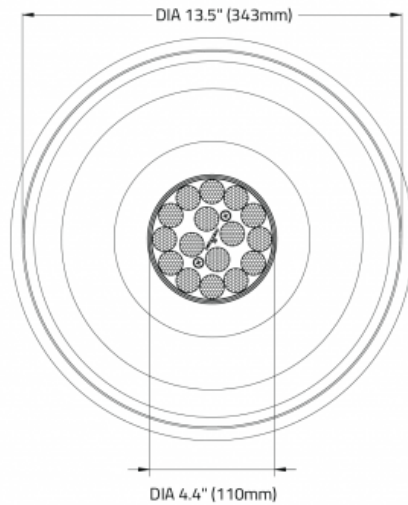
TRIPLE™ - SUSPENDED

CANOPY: CN1 - Canopy A
CCT (GLOW RING): CTC50 - RGBW

13" Direct / Direct / Indirect



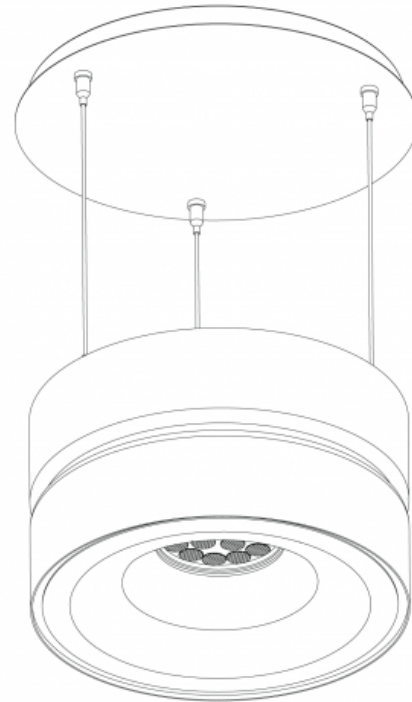
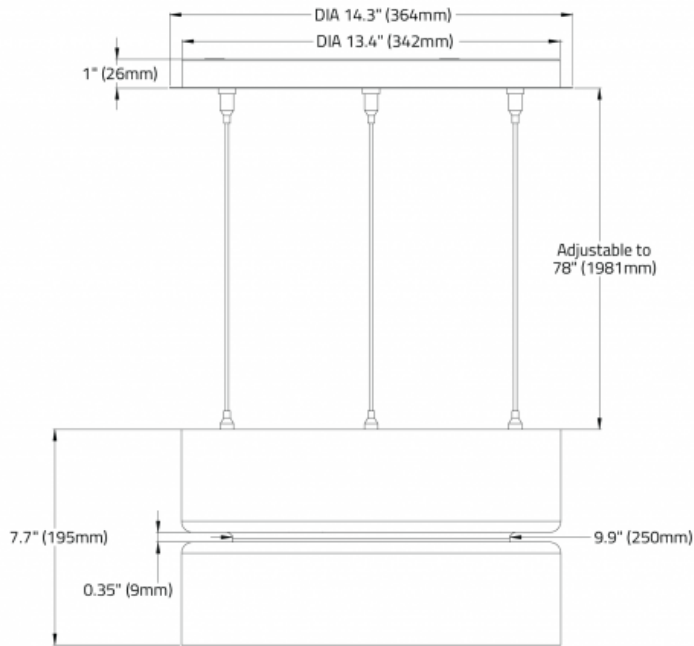
Isometric View



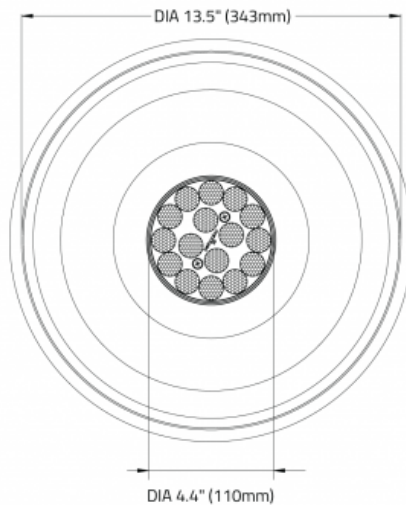
TRIPLE™ - SUSPENDED

CANOPY: CN2 - Canopy B

13" Direct / Direct / Indirect



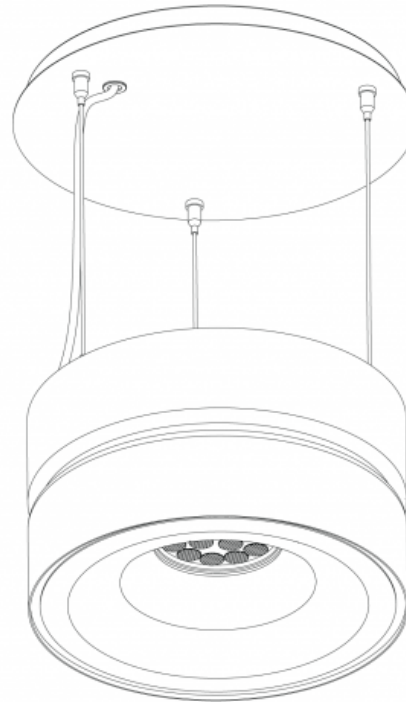
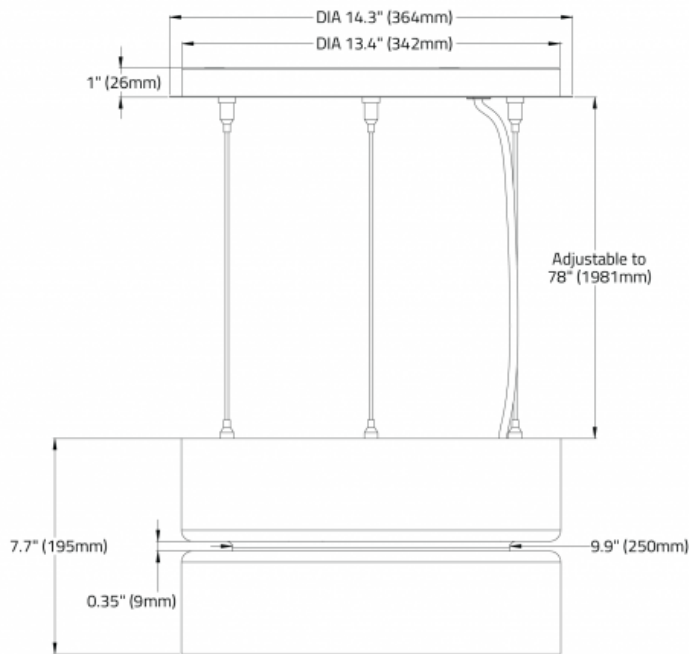
Isometric View



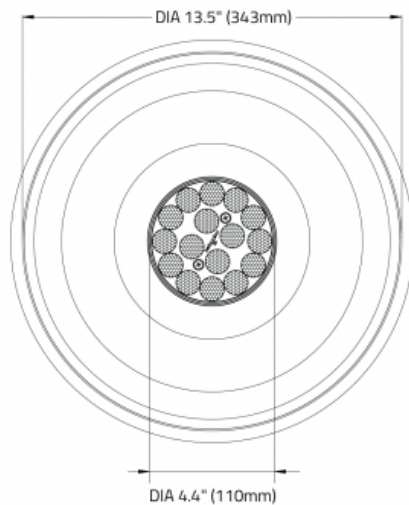
TRIPLE™ - SUSPENDED

CANOPY: CN2 - Canopy B
CCT (GLOW RING): CTC50 - RGBW

13" Direct / Direct / Indirect



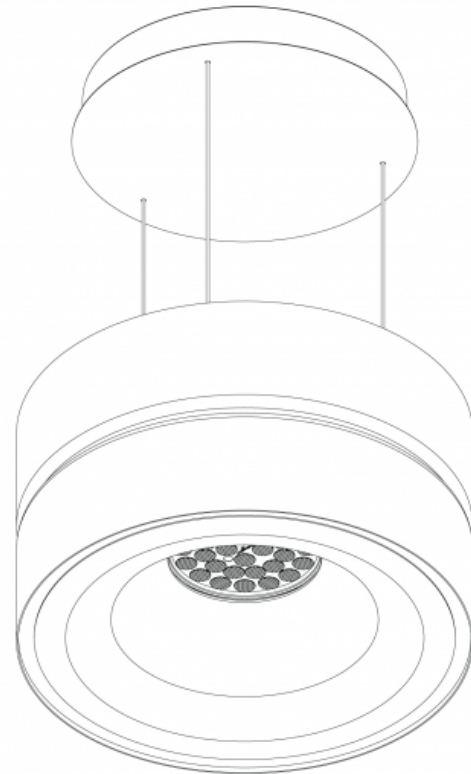
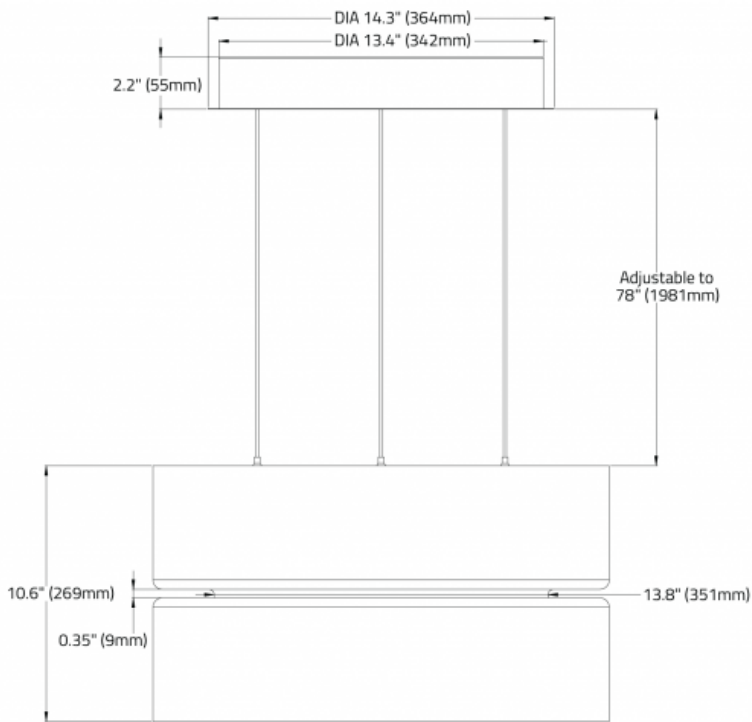
Isometric View



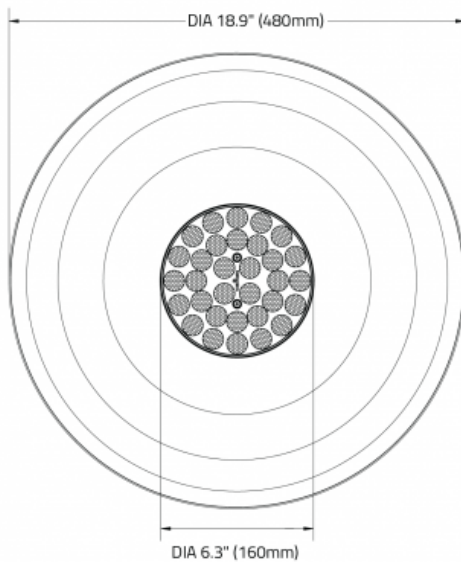
TRIPLE™ - SUSPENDED

CANOPY: CN1 - Canopy A

19" Direct / Direct / Indirect



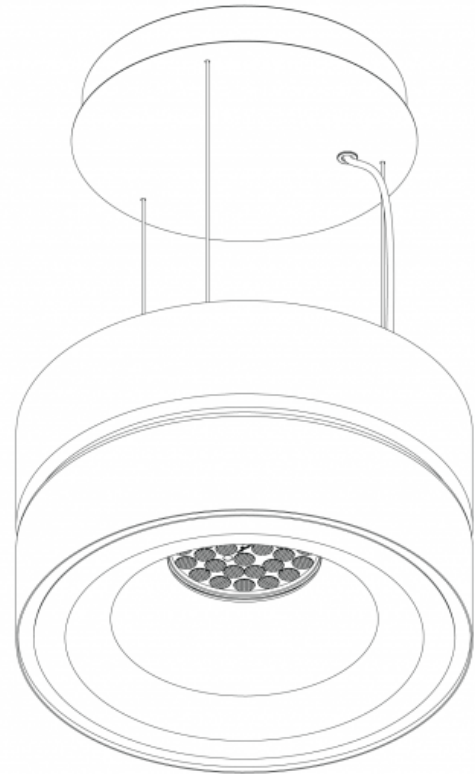
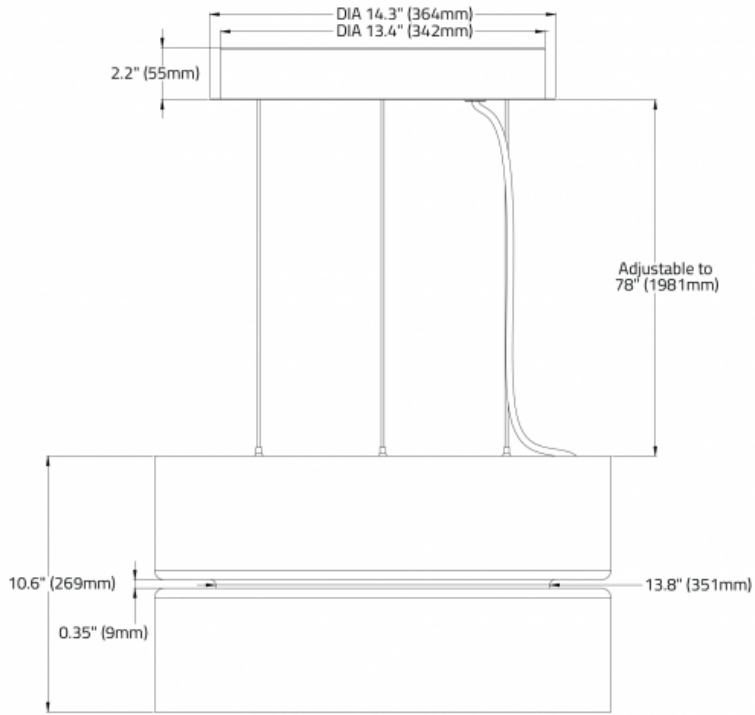
Isometric View



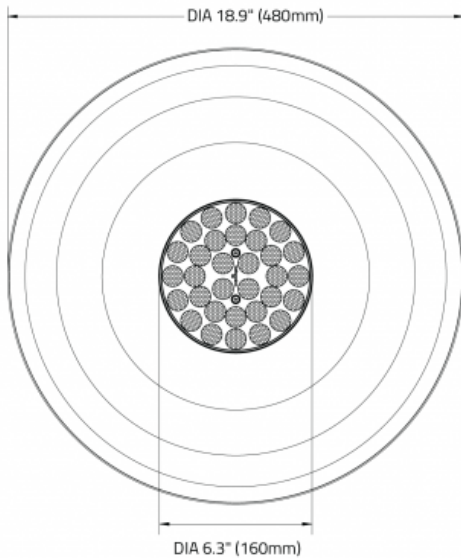
TRIPLE™ - SUSPENDED

CANOPY: CN1 - Canopy A
CCT (GLOW RING): CTC50 - RGBW

19" Direct / Direct / Indirect



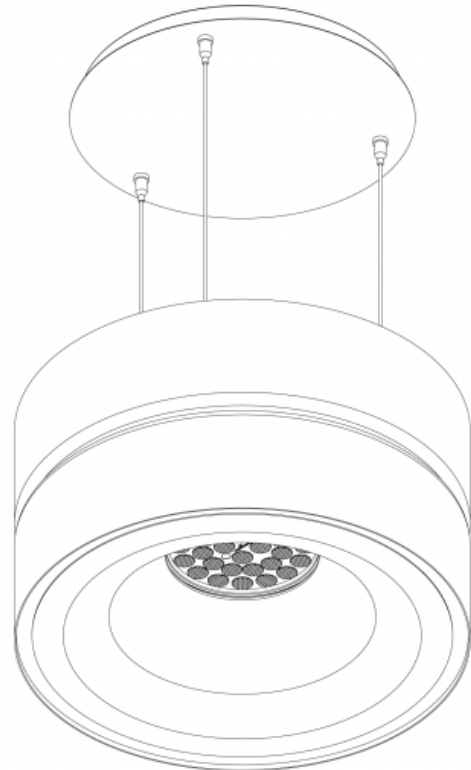
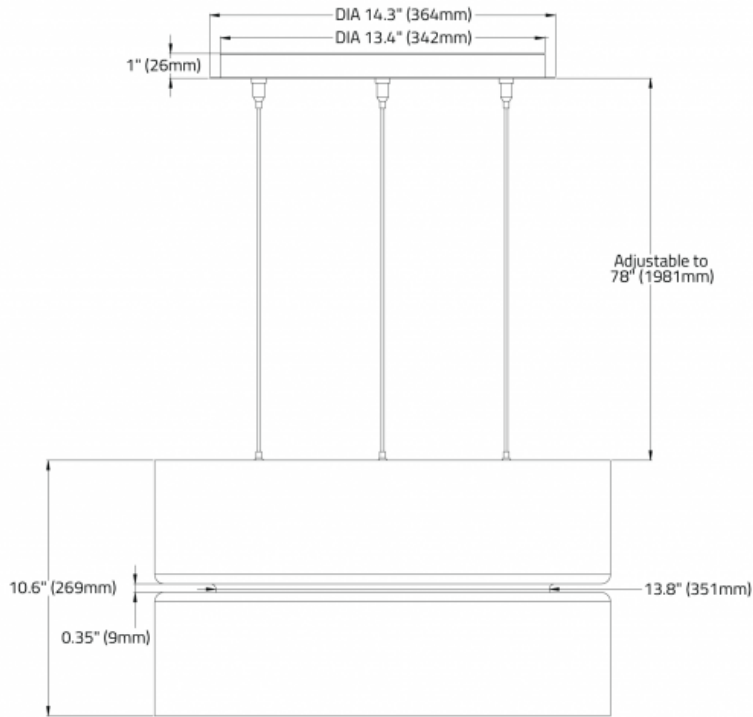
Isometric View



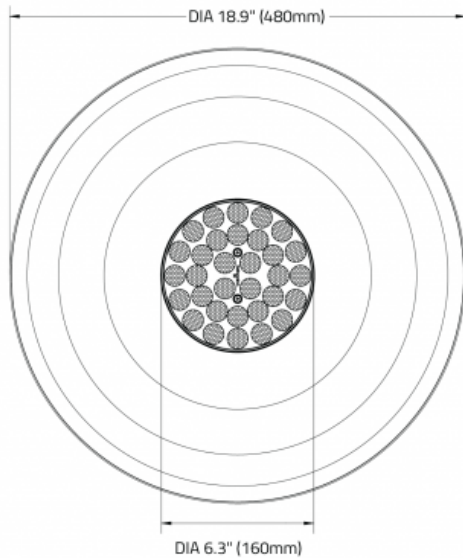
TRIPLE™ - SUSPENDED

CANOPY: CN2 - Canopy B

19" Direct / Direct / Indirect



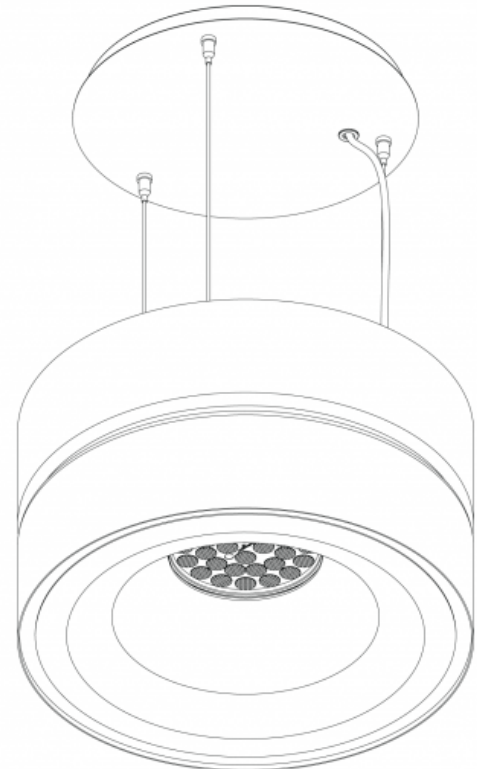
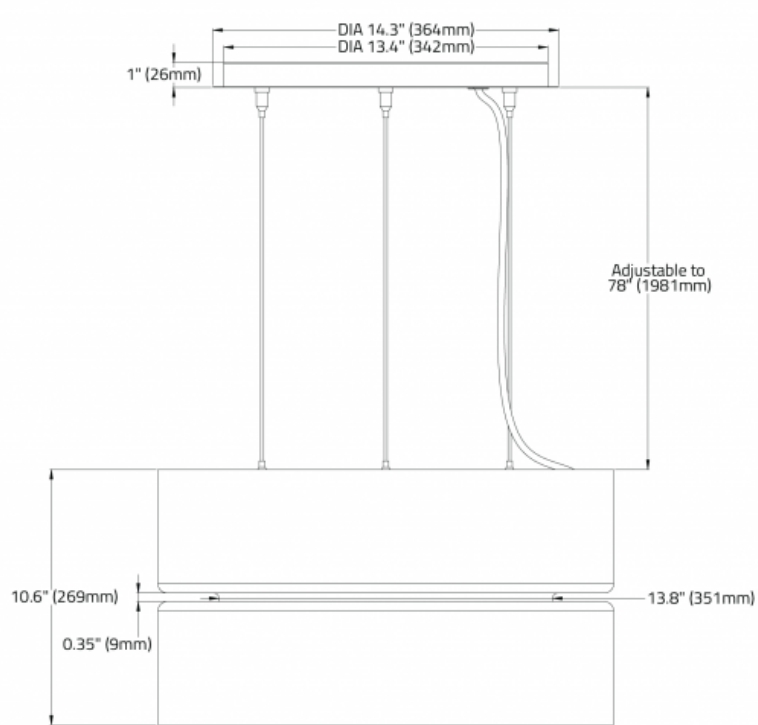
Isometric View



TRIPLE™ - SUSPENDED

CANOPY: CN2 - Canopy B
CCT (GLOW RING): CTC50 - RGBW

19" Direct / Direct / Indirect



Isometric View

