

TUNNEL™ - CONTINUOUS

Project Name:

Fixture Type:

Fixture Code:

Quantities:



TUNNEL™ - CONTINUOUS



TUNNEL™ - CONTINUOUS

TUNNEL revives the classic functional form into a charming new style with an incurved enhancement. With this design flair comes great functionality. TUNNEL exceeds the typical levels of output and efficacy, and delivers on specification capabilities. Alternatives are provided for nearly every component, allowing designers to configure a luminaire designed precisely to the needs of the space. TUNNEL's luxurious finishes and smooth lines create a stylish luminaire that doesn't compromise on performance.

GENERAL SPECIFICATION

Body

Aluminum.

Suspension

Steel cables.

Drivers

HPF electronic drivers for 120-277V, 347 (EU-240V). The driver is integral to the fixture housing.

PoE

Can be integrated into your data network via Power over Ethernet (PoE) connectivity.

Tunable White

Tunable white available, consult factory.

Mechanical

Luminaires mount directly over J box (by others).

Estimated L70 @25°C (77°F)

> 165,000 hrs @ 2000 lumens/ft (6000 lumens/m)

Sensors

Compatible with Avi-On, Casambi, Enlighted, Lutron Vive, nLight, NX Lighting Controls, Osram, Philips, and others. Consult factory.

Approvals

Damp Rated.

Design

US Design Patent Pending.

Finish

Powder coated.

Power cable

Silver braided.

Diffuser

Opal acrylic. 2.4" width

BIOS

For circadian lighting, consult factory.

RGBW

RGBW available, consult factory.

Reported L70 @25°C (77°F)

> 60,000 hrs @ 2000 lumens/ft (6000 lumens/m)

Integral Emergency system

Emergency option provides a 1.5 hour (3 hours for EU) emergency lighting facility. The self contained system includes the inverter module, NiCad batteries, LED charge indicator and test switch (NA only). Not available with a 347V supply.

Delivered lumens

Delivered lumens & LPW based on 4000K CRI 80+

Designed by

Serge Cornelissen.

MOUNTING & OPTICS



Suspended Direct



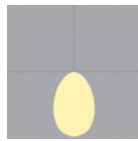
Suspended
Direct/Indirect



Direct DD1



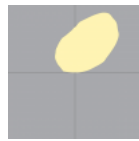
Direct DD2



Direct DD3



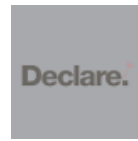
Indirect UD1



Indirect UD3



Bios



Declare



PoE



TUNNEL™ - CONTINUOUS

HOW TO ORDER

A. LUMINAIRE

TLCP1P Direct

TLCP2P Direct/Indirect

All data shown at max values based on diffused light diffuser. Consult Performance Data download page for more detail.
One power cord for every 50 linear feet.

B. LENGTH OF RUN

SFA _ _ _ _

Minimum length to order is 4ft and orders to be in 2ft increments. For 6 inch increments, consult factory.

Example: 4ft = SFA0400

Example: 10ft = SFA1000

Example: 50ft = SFA5000

For runs over 50ft in length, consult factory.

C. MAX LENGTH PER SECTION

SL04 4ft

SL06 6ft

SL08 8ft

SL10 10ft

SL12 12ft

You can select the preferred maximum length per segment, to account for transportation and building constraints. Example: If a 40ft run is required and SL12 (12ft) is selected, we would provide 4 10ft segments. For special requirements, please contact sales@betacalco.com.

D. LM/FT (DIRECT)

LPF020 200 lm/ft

LPF040 400 lm/ft

LPF060 600 lm/ft

LPF080 800 lm/ft

LPF100 1000 lm/ft

LPF120 1200 lm/ft

LPF140 1400 lm/ft

E. LM/FT (INDIRECT)

LPG000 Not required

LPG020 200 lm/ft

LPG040 400 lm/ft

LPG060 600 lm/ft

LPG080 800 lm/ft

LPG100 1000 lm/ft

LPG120 1200 lm/ft

LPG140 1400 lm/ft

LPG165 1650 lm/ft

F. CRI

CR80 CRI 80+

CR90 CRI 90+

G. CCT DIRECT

CTA30 3000K

CTA35 3500K

CTA40 4000K

H. CCT INDIRECT

CTB00 Not required

CTB30 3000K

CTB35 3500K

CTB40 4000K

I. DIRECT DIFFUSER

DD1 Asymmetric diffuser ¹

DD2 Batwing diffuser

DD3 Diffused light diffuser ^{1 2}

DD4 Comfort diffuser ³

¹ When standing at the end view of the profile on the side where the power cord is installed, the asymmetric beam will aim to the right.

² High output diffuser, all data shown based on this diffuser.

³ 10% reduction from DD3. The comfort lens provides better control and softer distribution.



TUNNEL™ - CONTINUOUS

J. UPLIGHT DIFFUSER

UD0 Not required **UD1** Clear diffuser (Batwing distribution) **UD3** Asymmetric diffuser ¹

¹ Available up to 1200 lm/ft.

K. UPLIGHT BLACKOUT PLATE

UB00 Not required **UB_ _** Blackout plate ¹

¹ Available on a per foot basis. May be required to prevent lighting up of duct work in loft style applications.

L. VOLTAGE

V1 120/277V **V2** 240V ¹ **V3** 347V ² **V4** Low Voltage ³

¹ Not available in North America.

² Only available with DA01 dimming.

M. DIMMING

DA01 0-10V Dimming 1.0% **DA02** 0-10V Dimming 0.1% ¹ **DA20** DALI Dimming 0.1% ¹ **DA21** DALI Dimming 1.0% ¹
DA30 DSI/switchDim ² **DA45** PoE ³

¹ Not available with V3.

² Not available in North America.

³ Only available with V4.

N. CEILING TYPE

G1 Grid ceiling ¹ **H1** Hard ceiling ²

The cost for the canopies, power cables, connections mechanisms and endcaps for the fixture has been added to these items.

¹ Combo kit provided includes installation to T-bar and through tile mount.

² Designed for drywall ceilings.

O. SUSPENSION

HLA03 3ft cable suspension **HLA06** 6ft cable suspension **HLA09** 9ft cable suspension

P. FIXTURE FINISH

FA01 White - Textured **FA02** Black Metallic - Textured **FA20** Silver Metallic - Textured **FA25** Gold Metallic - Textured
FA27 Wood grain - Light Cherry ¹ **FA28** Wood grain - Dark Walnut ¹ **FA44** Midnight Blue Metallic - Textured **FA45** Copper Metallic
FA46 Charcoal Metallic - Textured **FA47** Bronze Metallic - Textured **FA52** Champagne Metallic **FA53** Red Metallic - Textured

¹ Longer than normal lead times may apply, consult factory.

Q. CANOPY FINISH

CF01 White **CF02** Black Metallic - Textured **CF20** Silver Metallic - Textured **CF25** Gold Metallic - Textured
CF44 Midnight Blue Metallic - Textured **CF45** Copper Metallic **CF46** Charcoal Metallic - Textured **CF47** Bronze Metallic - Textured
CF52 Champagne Metallic **CF53** Red Metallic - Textured

R. EMERGENCY

E0 Not required **E1** Emergency system - Integral ¹ **E3** Emergency generated circuit ¹

¹ A drawing will be required at time of ordering to determine the required number and location of the emergency sections or generator circuits. Not available in 347V.



TUNNEL™ - CONTINUOUS

S. CIRCUITS

CS1 Single circuit

CS2 Dual circuit ¹

T. SENSORS



TUNNEL™ - CONTINUOUS

TECHNICAL DATA

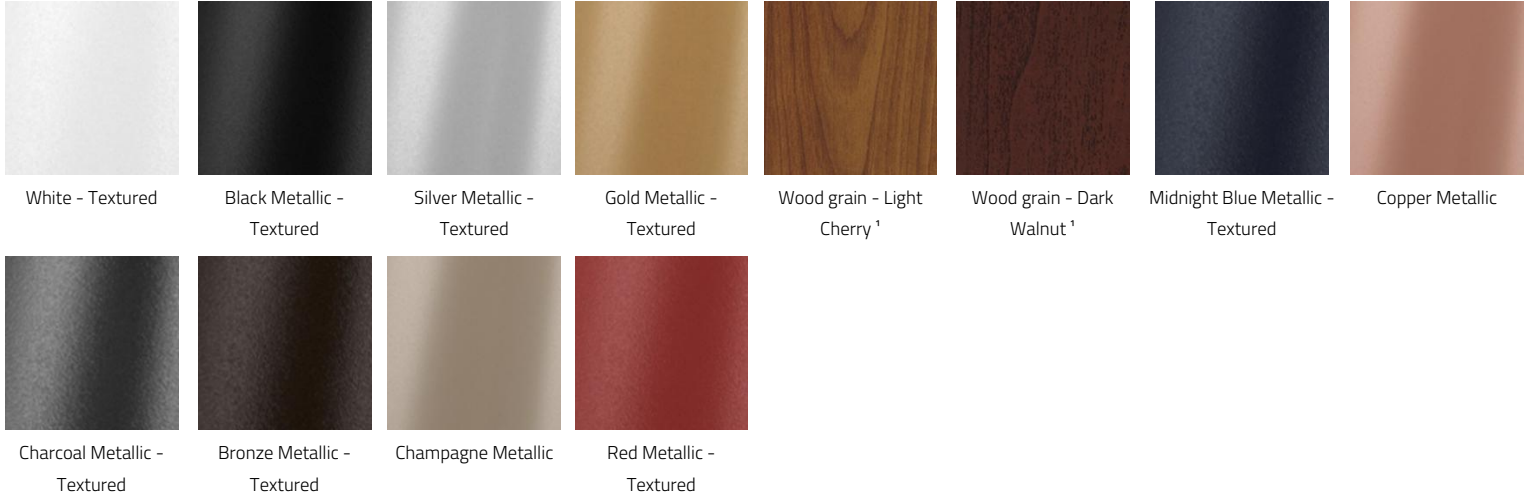
LUMINAIRE

All data shown at max values based on diffused light diffuser. Consult Performance Data download page for more detail.

One power cord for every 50 linear feet.

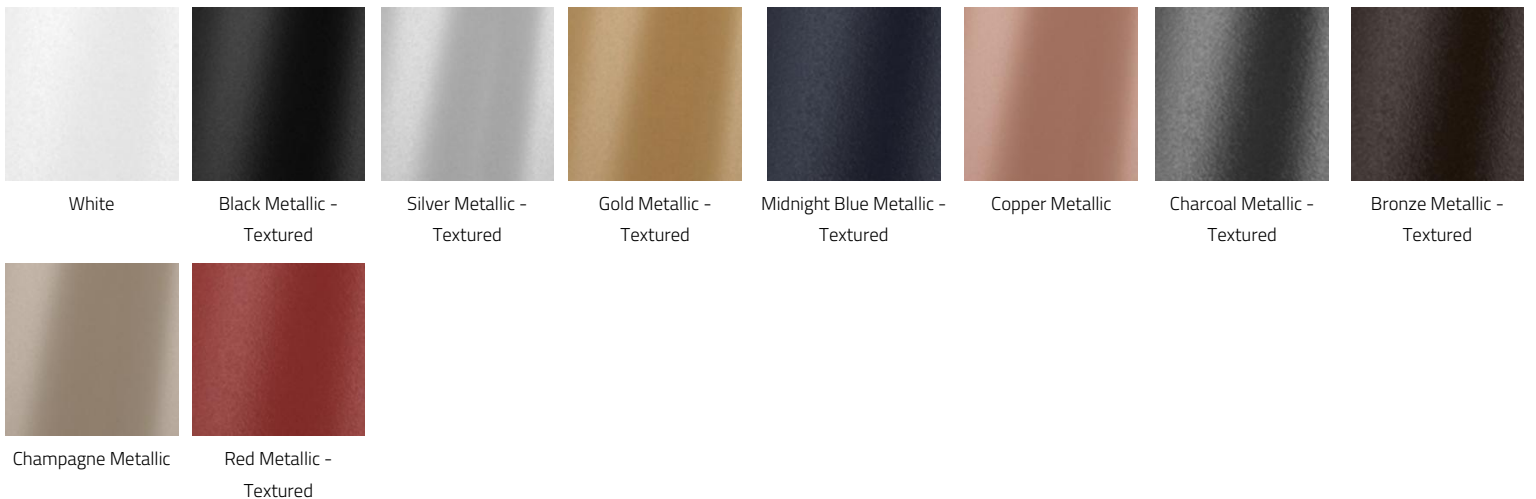
Code	TLCP1P	TLCP2P
Light Direction	Direct	Direct/Indirect

FIXTURE FINISH



¹ Longer than normal lead times may apply, consult factory.

CANOPY FINISH



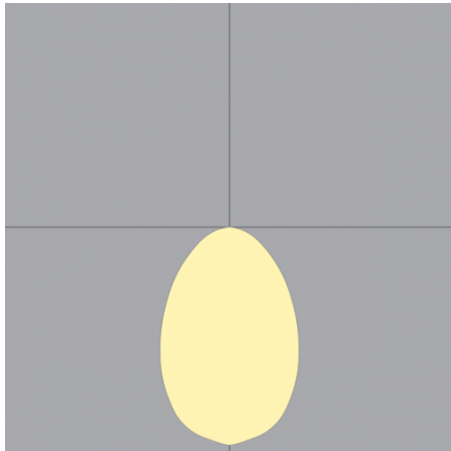
APPROVALS



TUNNEL™ - CONTINUOUS

PERFORMANCE DATA

DIRECT DIFFUSED (DD3)



LUMEN/FT

1400
1200
1000
800
600
400
200

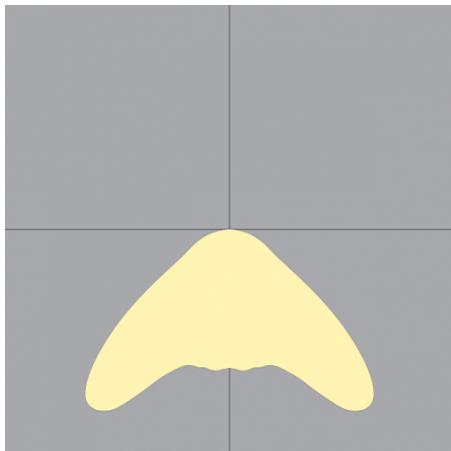
WATT/FT

13
11
9
7
5
3
2

LPW

115
118
121
124
128
132
134

DIRECT BATWING (DD2)



LUMEN/FT

1400
1200
1000
800
600
400
200

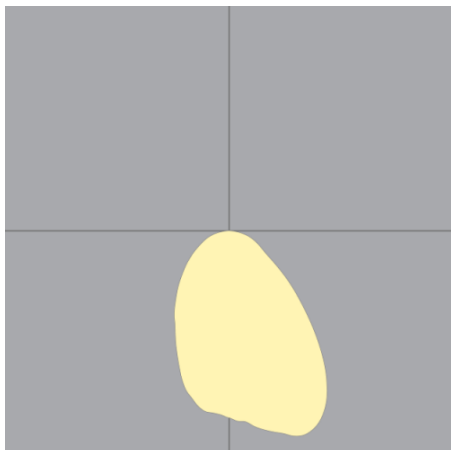
WATT/FT

13
11
9
7
5
3
2

LPW

108
112
115
118
121
124
129

DIRECT ASYMMETRIC (DD1)



LUMEN/FT

1400
1200
1000
800
600
400
200

WATT/FT

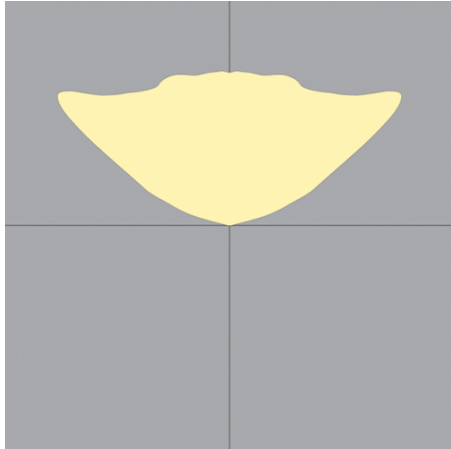
13
11
9
7
5
3
2

LPW

112
115
118
121
125
128
133

TUNNEL™ - CONTINUOUS

INDIRECT BATWING (UD1)



LUMEN/FT

1650
1400
1200
1000
800
600
400
200

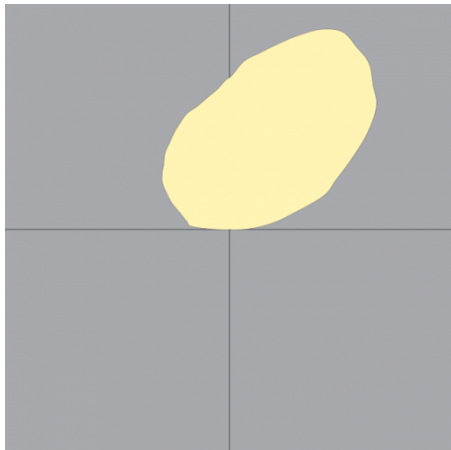
WATT/FT

13
10
9
7
6
4
3
1

LPW

132
137
140
144
146
150
153
153

INDIRECT ASYMMETRIC (UD3)



LUMEN/FT

1200
1000
800
600
400
200

WATT/FT

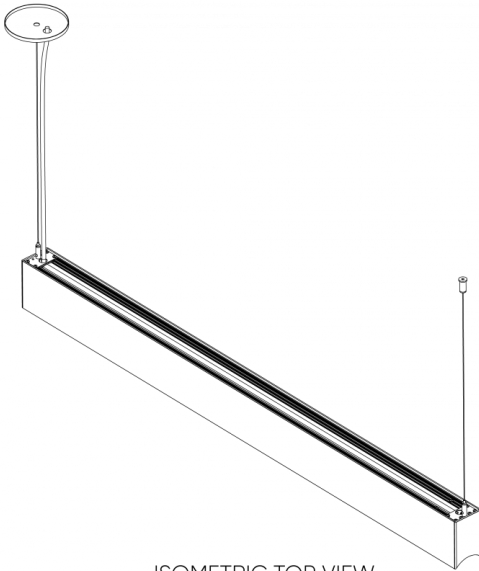
13
10
9
6
4
2

LPW

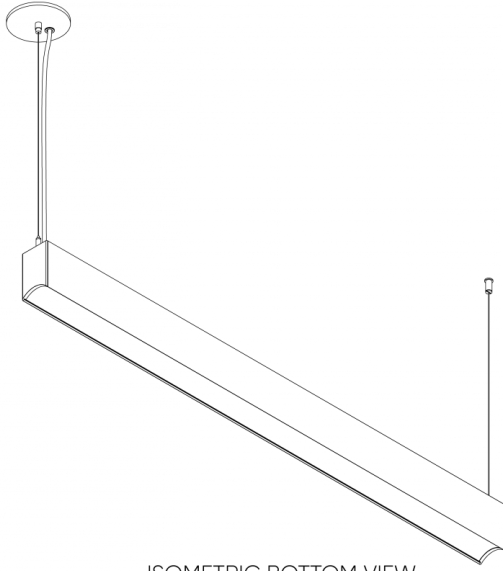
97
100
102
107
109
112

TUNNEL™ - CONTINUOUS

DIMENSIONAL DIAGRAMS



ISOMETRIC TOP VIEW



ISOMETRIC BOTTOM VIEW

Top View
(Asymmetric Light Direction)

