

# TUNNEL QUAD™ - SUSPENDED

Project Name:

Fixture Type:

Fixture Code:

Quantities:



# TUNNEL QUAD™ - SUSPENDED



# TUNNEL QUAD™ - SUSPENDED

**TUNNEL** revives the classic functional form into a charming new style with an incurved enhancement. With this design flair comes great functionality. **TUNNEL** exceeds the typical levels of output and efficacy, and delivers on specification capabilities. Alternatives are provided for nearly every component, allowing designers to configure a luminaire designed precisely to the needs of the space. **TUNNEL's** luxurious finishes and smooth lines create a stylish luminaire that doesn't compromise on performance.

## GENERAL SPECIFICATION

### Body

Aluminum.

### Suspension

Steel cables.

### PoE

Can be integrated into your data network via Power over Ethernet (PoE) connectivity.

### Drivers

HPF electronic drivers for 120-277V, 347 (EU-240V). The driver is integral to the fixture housing.

### Delivered lumens

Delivered lumens & LPW based on 4000K CRI 80+

### Reported L70 @25°C (77°F)

> 60,000 hrs @ 2000 lumens/ft (6000 lumens/m)

### Integral Emergency system

Emergency option provides a 1.5 hour (3 hours for EU) emergency lighting facility. The self contained system includes the inverter module, NiCad batteries, LED charge indicator and test switch (NA only). Not available with a 347V supply.

### Tunable White

Tunable white available, consult factory.

### Design

US Design Patent Pending.

### Finish

Powder coated.

### Power cable

Silver braided.

### BIOS

For circadian lighting, consult factory.

### Diffuser

Opal acrylic.

### Mechanical

Luminaires mount directly over J box (by others).

### Estimated L70 @25°C (77°F)

> 165,000 hrs @ 2000 lumens/ft (6000 lumens/m)

### Sensors

Compatible with Avi-On, Casambi, Enlighted, Lutron Vive, nLight, NX Lighting Controls, Osram, Philips, and others. Consult factory.

### Approvals

Damp Rated.

## MOUNTING & OPTICS



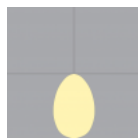
Suspended Direct



Suspended Direct/Indirect



Direct DD2



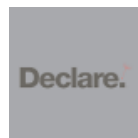
Direct DD3



Indirect



Bios



Declare



PoE



# TUNNEL QUAD™ - SUSPENDED

## HOW TO ORDER

### A. LUMINAIRE

**TLCQ1P01** 32" Sq, Direct

**TLCQ1P02** 56" Sq, Direct

**TLCQ1P05** 32" x 56", Direct

**TLCQ2P01** 32" Sq, Direct/Indirect

**TLCQ2P02** 56" Sq, Direct/Indirect

**TLCQ2P05** 32" x 56", Direct/Indirect

For larger sizes, refer to Tunnel Systems  
One power cord for every 50 linear ft.

### B. LUMENS/FT (DIRECT)

**LPF020** 200 lm/ft

**LPF040** 400 lm/ft

**LPF060** 600 lm/ft

**LPF080** 800 lm/ft

**LPF100** 1000 lm/ft

**LPF120** 1200 lm/ft

**LPF140** 1400 lm/ft

### C. LUMENS/FT (INDIRECT)

**LPG000** Not required

**LPG020** 200 lm/ft

**LPG040** 400 lm/ft

**LPG060** 600 lm/ft

**LPG080** 800 lm/ft

**LPG100** 1000 lm/ft

**LPG120** 1200 lm/ft

**LPG140** 1400 lm/ft

**LPG165** 1650 lm/ft

### D. CRI

**CR80** CRI 80+

**CR90** CRI 90+

### E. CCT DIRECT

**CTA30** 3000K

**CTA35** 3500K

**CTA40** 4000K

### F. CCT INDIRECT

**CTB00** Not required

**CTB30** 3000K

**CTB35** 3500K

**CTB40** 4000K

### G. DIRECT DIFFUSER

**DD2** Batwing diffuser

**DD3** Diffused light diffuser <sup>1 2</sup>

**DD4** Comfort diffuser <sup>2</sup>

<sup>1</sup> High output diffuser, all data shown based on this diffuser.

<sup>2</sup> 10% reduction from DD3. The comfort lens provides better control and softer distribution.

### H. INDIRECT DIFFUSER (BATWING)

**UD0** Not required

**UD1** Clear diffuser (Batwing distribution)

### I. UPLIGHT BLACKOUT PLATE

**UB00** Not required

**UB\_ \_** Blackout plate <sup>1</sup>

<sup>1</sup> Available on a per foot basis. May be required to prevent lighting up of duct work in loft style applications.

### J. VOLTAGE

**V1** 120/277V

**V2** 240V <sup>1</sup>

**V3** 347V <sup>2</sup>

**V4** Low Voltage <sup>3</sup>

<sup>1</sup> Not available in North America.

<sup>2</sup> Only available with DA01 dimming.



# TUNNEL QUAD™ - SUSPENDED

## K. DIMMING

**DA01** 0-10V Dimming 1.0%  
**DA30** DSI/switchDim<sup>2</sup>

**DA02** 0-10V Dimming 0.1%<sup>1</sup>  
**DA45** PoE<sup>3</sup>

**DA20** DALI Dimming 0.1%<sup>1</sup>

**DA21** DALI Dimming 1.0%<sup>1</sup>

<sup>1</sup> Not available with V3.

<sup>2</sup> Not available in North America.

<sup>3</sup> Only available with V4.

## L. CEILING TYPE

**G1** Grid ceiling<sup>1</sup>

**H1** Hard ceiling<sup>2</sup>

The cost for the canopies, power cables, connections mechanisms and endcaps for the fixture has been added to these items.

<sup>1</sup> Combo kit provided includes installation to T-bar and through tile mount.

<sup>2</sup> Designed for drywall ceilings.

## M. SUSPENSION

**HLA03** 3ft cable suspension

**HLA06** 6ft cable suspension

**HLA09** 9ft cable suspension

## N. FIXTURE FINISH

**FA01** White

**FA02** Black Metallic - Textured

**FA20** Silver Metallic - Textured

**FA25** Gold Metallic - Textured

**FA27** Wood grain - Light Cherry<sup>1</sup>

**FA28** Wood grain - Dark Walnut<sup>1</sup>

**FA44** Midnight Blue Metallic - Textured

**FA45** Copper Metallic

**FA46** Charcoal Metallic - Textured

**FA47** Bronze Metallic - Textured

**FA52** Champagne Metallic

**FA53** Red Metallic - Textured

<sup>1</sup> Longer lead times may apply, consult factory.

## O. CANOPY FINISH

**CF01** White

**CF02** Black Metallic - Textured

**CF20** Silver Metallic - Textured

**CF25** Gold Metallic - Textured

**CF44** Midnight Blue Metallic - Textured

**CF45** Copper Metallic

**CF46** Charcoal Metallic - Textured

**CF47** Bronze Metallic - Textured

**CF52** Champagne Metallic

**CF53** Red Metallic - Textured

## P. EMERGENCY

**E0** Not required

**E1** Emergency system - Integral

**E3** Emergency generated circuit<sup>1</sup>

<sup>1</sup> Not available in 347V. Available upon request, consult factory for details.

## Q. CIRCUITS

**CS1** Single circuit

**CS2** Dual circuit<sup>1</sup>

## R. SENSORS

# TUNNEL QUAD™ - SUSPENDED

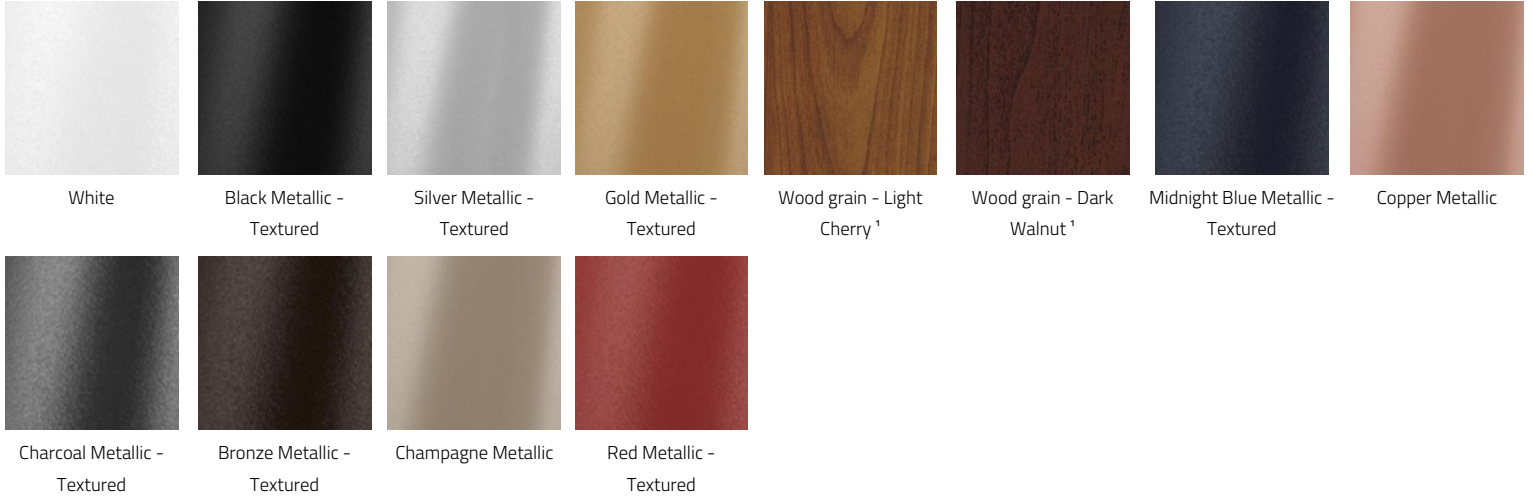
## TECHNICAL DATA

### LUMINAIRE

For larger sizes, refer to Tunnel Systems  
 One power cord for every 50 linear ft.

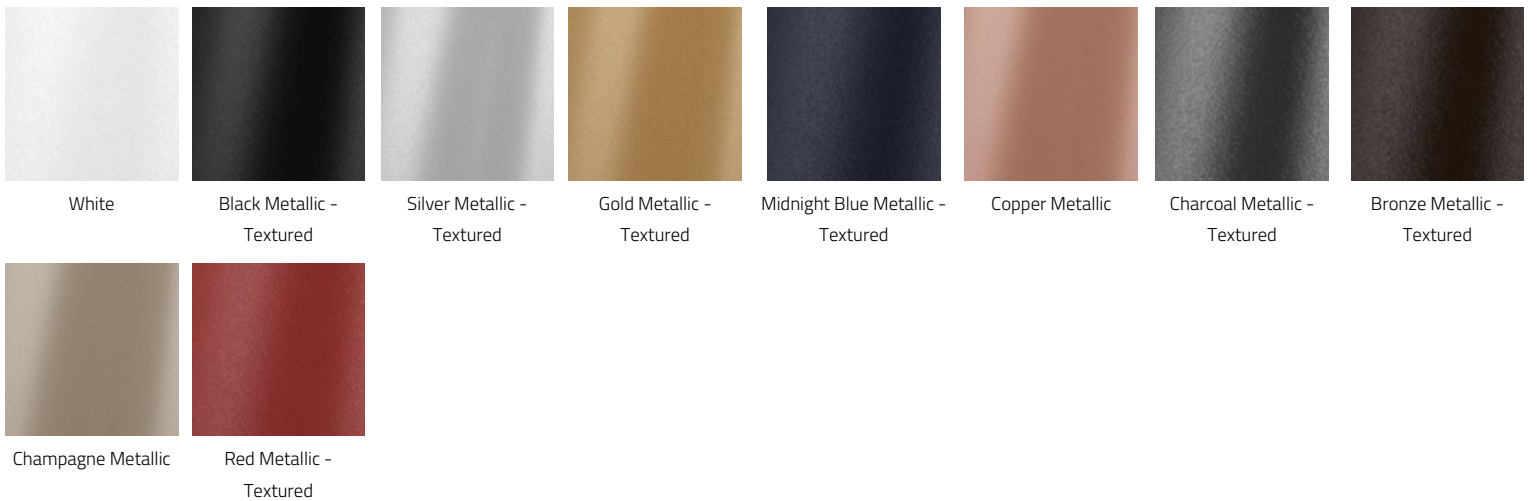
Code	TLCQ1P01	TLCQ1P02	TLCQ1P05	TLCQ2P01	TLCQ2P02	TLCQ2P05
Light Direction						

## FIXTURE FINISH



¹ Longer lead times may apply, consult factory.

## CANOPY FINISH



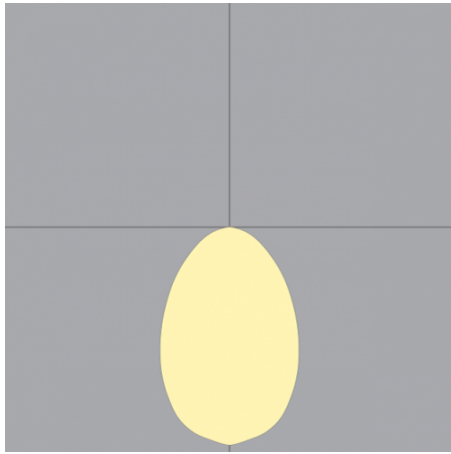
## APPROVALS



# TUNNEL QUAD™ - SUSPENDED

## PERFORMANCE DATA

### DIRECT DIFFUSED (DD3)



### LUMEN/FT

1400  
1200  
1000  
800  
600  
400  
200

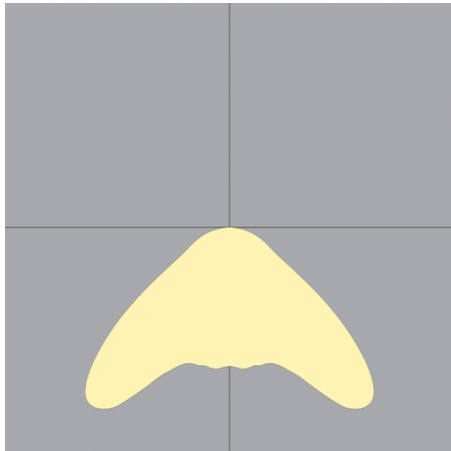
### WATT/FT

13  
11  
9  
7  
5  
3  
2

### LPW

115  
118  
121  
124  
128  
132  
134

### DIRECT BATWING (DD2)



### LUMEN/FT

1400  
1200  
1000  
800  
600  
400  
200

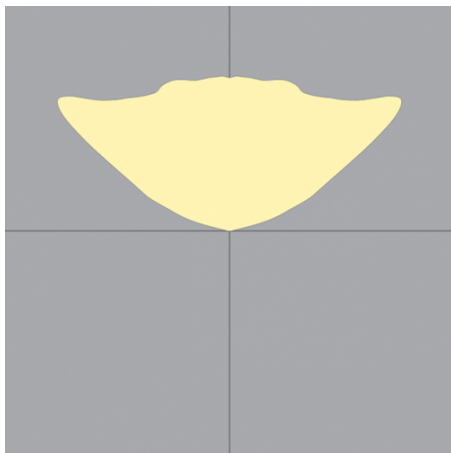
### WATT/FT

13  
11  
9  
7  
5  
3  
2

### LPW

108  
112  
115  
118  
121  
124  
129

### INDIRECT BATWING (UD1)



### LUMEN/FT

1650  
1400  
1200  
1000  
800  
600  
400  
200

### WATT/FT

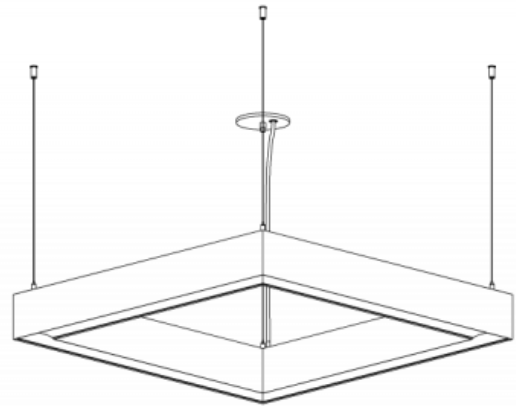
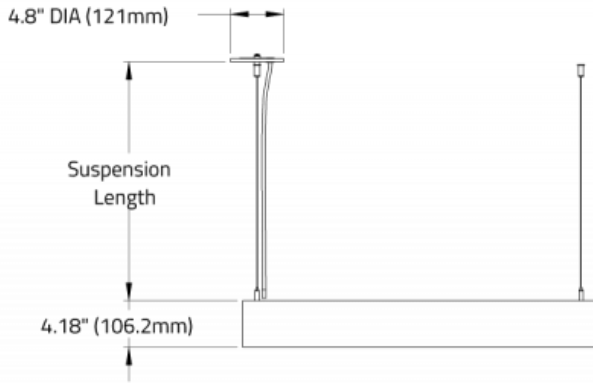
13  
10  
9  
7  
6  
4  
3  
1

### LPW

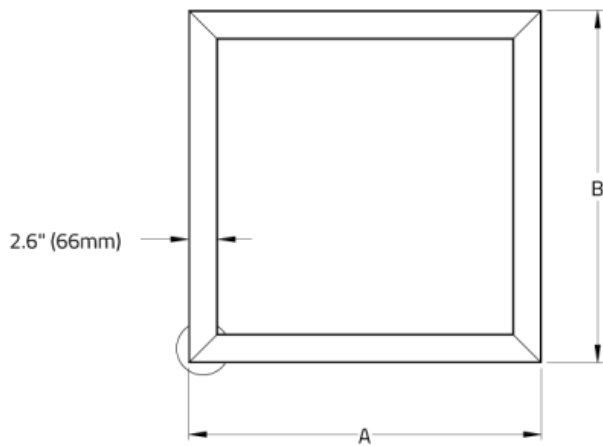
132  
137  
140  
144  
146  
150  
153  
153

# TUNNEL QUAD™ - SUSPENDED

## DIMENSIONAL DIAGRAMS



ISOMETRIC BOTTOM VIEW



Luminaire	A	B
TLCQ1P01/TLCQ2P01	31.76" (806.6mm)	31.76" (806.6mm)
TLCQ1P02/TLCQ2P02	55.76" (1416.2mm)	55.76" (1416.2mm)
TLCQ1P05/TLCQ2P05	31.76" (806.6mm)	55.76" (1416.2mm)