

TUNNEL QUAD™ - SUSPENDED

Project Name:

Fixture Type:

Fixture Code:

Quantities:

A. LUMINAIRE

TLCQ1P01 32" Sq, Direct

TLCQ1P02 56" Sq, Direct

TLCQ1P05 32" x 56", Direct

TLCQ2P01 32" Sq, Direct/Indirect

TLCQ2P02 56" Sq, Direct/Indirect

TLCQ2P05 32" x 56", Direct/Indirect

For larger sizes, refer to Tunnel Systems
One power cord for every 50 linear ft.

B. LUMENS/FT (DIRECT)

LPF020 200 lm/ft

LPF040 400 lm/ft

LPF060 600 lm/ft

LPF080 800 lm/ft

LPF100 1000 lm/ft

LPF120 1200 lm/ft

LPF140 1400 lm/ft

C. LUMENS/FT (INDIRECT)

LPG000 Not required

LPG020 200 lm/ft

LPG040 400 lm/ft

LPG060 600 lm/ft

LPG080 800 lm/ft

LPG100 1000 lm/ft

LPG120 1200 lm/ft

LPG140 1400 lm/ft

LPG165 1650 lm/ft

D. CRI

CR80 CRI 80+

CR90 CRI 90+

E. CCT DIRECT

CTA30 3000K

CTA35 3500K

CTA40 4000K

F. CCT INDIRECT

CTB00 Not required

CTB30 3000K

CTB35 3500K

CTB40 4000K

G. DIRECT DIFFUSER

DD2 Batwing diffuser

DD3 Diffused light diffuser ^{1 2}

DD4 Comfort diffuser ²

¹ High output diffuser, all data shown based on this diffuser.

² 10% reduction from DD3. The comfort lens provides better control and softer distribution.

H. INDIRECT DIFFUSER (BATWING)

UDO Not required

UD1 Clear diffuser (Batwing distribution)

I. UPLIGHT BLACKOUT PLATE

UB00 Not required

UB_ _ Blackout plate ¹

¹ Available on a per foot basis. May be required to prevent lighting up of duct work in loft style applications.

J. VOLTAGE

V1 120/277V

V2 240V ¹

V3 347V ²

V4 Low Voltage ³

¹ Not available in North America.

² Only available with DA01 dimming.



TUNNEL QUAD™ - SUSPENDED

K. DIMMING

DA01 0-10V Dimming 1.0%
DA30 DSI/switchDim ²

DA02 0-10V Dimming 0.1% ¹
DA45 PoE ³

DA20 DALI Dimming 0.1% ¹

DA21 DALI Dimming 1.0% ¹

¹ Not available with V3.

² Not available in North America.

³ Only available with V4.

L. CEILING TYPE

G1 Grid ceiling ¹

H1 Hard ceiling ²

The cost for the canopies, power cables, connections mechanisms and endcaps for the fixture has been added to these items.

¹ Combo kit provided includes installation to T-bar and through tile mount.

² Designed for drywall ceilings.

M. SUSPENSION

HLA03 3ft cable suspension

HLA06 6ft cable suspension

HLA09 9ft cable suspension

N. FIXTURE FINISH

FA01 White - Textured

FA02 Black Metallic - Textured

FA20 Silver Metallic - Textured

FA25 Gold Metallic - Textured

FA27 Wood grain - Light Cherry ¹

FA28 Wood grain - Dark Walnut ¹

FA44 Midnight Blue Metallic - Textured

FA45 Copper Metallic

FA46 Charcoal Metallic - Textured

FA47 Bronze Metallic - Textured

FA52 Champagne Metallic

FA53 Red Metallic - Textured

¹ Longer lead times may apply, consult factory.

O. CANOPY FINISH

CF01 White

CF02 Black Metallic - Textured

CF20 Silver Metallic - Textured

CF25 Gold Metallic - Textured

CF44 Midnight Blue Metallic - Textured

CF45 Copper Metallic

CF46 Charcoal Metallic - Textured

CF47 Bronze Metallic - Textured

CF52 Champagne Metallic

CF53 Red Metallic - Textured

P. EMERGENCY

E0 Not required

E1 Emergency system - Integral ¹

E3 Emergency generated circuit ¹

¹ Not available in 347V. Available upon request, consult factory for details.

Q. CIRCUITS

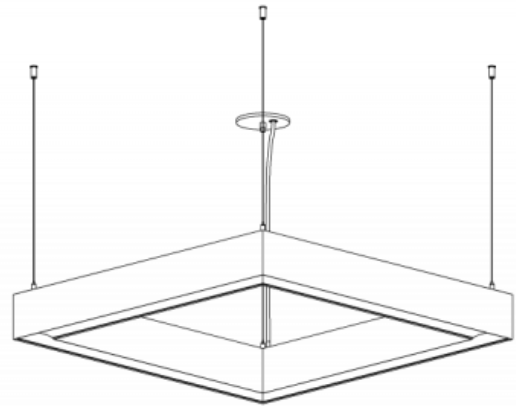
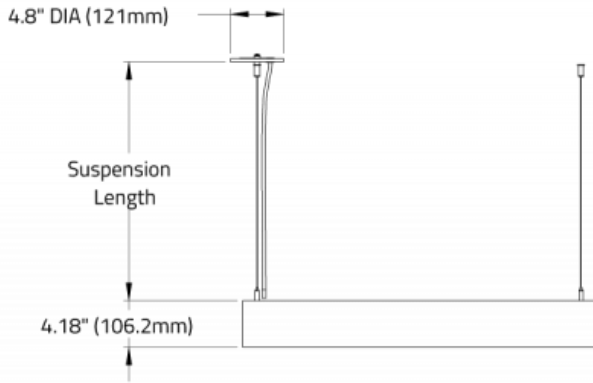
CS1 Single circuit

CS2 Dual circuit ¹

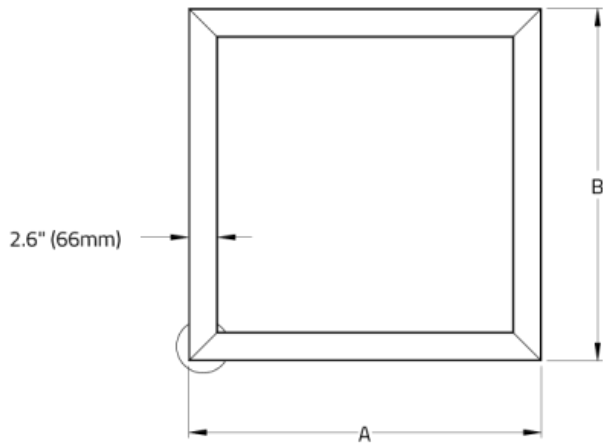
R. SENSORS

TUNNEL QUAD™ - SUSPENDED

DIMENSIONAL DIAGRAMS



ISOMETRIC BOTTOM VIEW



Luminaire	A	B
TLCQ1P01/TLCQ2P01	31.76" (806.6mm)	31.76" (806.6mm)
TLCQ1P02/TLCQ2P02	55.76" (1416.2mm)	55.76" (1416.2mm)
TLCQ1P05/TLCQ2P05	31.76" (806.6mm)	55.76" (1416.2mm)