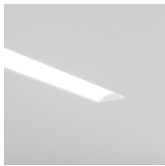


TUNNEL™ - CONTINUOUS RECESSED



Project Name:

Fixture Type:

Fixture Code:

Quantities:

A. LUMINAIRE

TLCR1R Direct

All data shown at max values based on diffused light diffuser. Consult Performance Data download page for more detail.
One power cord for every 50 linear feet.

B. LENGTH OF RUN

SFG _ _ _ _

Minimum length to order is 4ft and orders to be in 2ft increments.

Example: 4ft = SFG0400

Example: 10ft = SFG1000

Example: 50ft = SFG5000

For runs over 50ft in length, consult factory.

C. MAX LENGTH PER SECTION

SL04 4ft	SL06 6ft	SL08 8ft	SL10 10ft
SL12 12ft			

You can select the preferred maximum length per segment, to account for transportation and building constraints. Example: If a 40ft run is required and SL12 (12ft) is selected, we would provide 4 10ft segments. For special requirements, please contact sales@betacalco.com.

D. LM/FT

LPF020 200 lm/ft	LPF040 400 lm/ft	LPF060 600 lm/ft	LPF080 800 lm/ft
LPF100 1000 lm/ft	LPF120 1200 lm/ft	LPF140 1400 lm/ft	

E. CRI

CR80 CRI 80+	CR90 CRI 90+
---------------------	---------------------

F. CCT

CTA30 3000K	CTA35 3500K	CTA40 4000K
--------------------	--------------------	--------------------

G. DIFFUSER

DD1 Asymmetric diffuser ¹	DD2 Batwing diffuser ¹	DD3 Diffused light diffuser ²	DD4 Comfort diffuser ³
---	--	---	--

¹ When standing at the end view of the profile on the side where the power cord is installed, the asymmetric beam will aim to the right.

² High output diffuser, all data shown based on this diffuser.

³ 10% reduction from DD3. The comfort lens provides better control and softer distribution.

H. VOLTAGE

V1 120/277V	V2 240V ¹	V3 347V ²	V4 Low Voltage ³
--------------------	-----------------------------	-----------------------------	------------------------------------

¹ Not available in North America.

² Only available with DA01 dimming.

³ Only available with DA45 dimming.



TUNNEL™ - CONTINUOUS RECESSED

I. DIMMING

DA01 0-10V Dimming 1.0%
DA30 DSI/switchDim ²

DA02 0-10V Dimming 0.1% ¹
DA45 PoE ³

DA20 DALI Dimming 0.1% ¹

DA21 DALI Dimming 1.0% ¹

¹ Not available with V3.

² Not available in North America.

³ Only available with V4.

J. CEILING TYPE & TRIM

RT1 Tegular ceiling ¹

RT2 T-Bar ceiling ²

RT3 Trimless ³

RT4 Trim ³

¹ Fixture designed to fit into a 9/16" or 15/16" standard tegular grid T-bar and through tile mount. Dimensions are nominal for grid ceiling fixtures. All fixture metalwork is white.

² Fixture designed to fit into a 9/16" or 15/16" standard grid T-bar and through tile mount. Dimensions are nominal for grid ceiling fixtures. All fixture metalwork is white.

³ Fixture designed for drywall ceilings. All fixture metalwork is white.

K. EMERGENCY

E0 Not required

E1 Emergency system - Integral ¹

E3 Emergency generated circuit ¹

¹ A drawing will be required at time of ordering to determine the required number and location of the emergency sections or generator circuits. Not available in 347V.

L. CHICAGO PLENUM

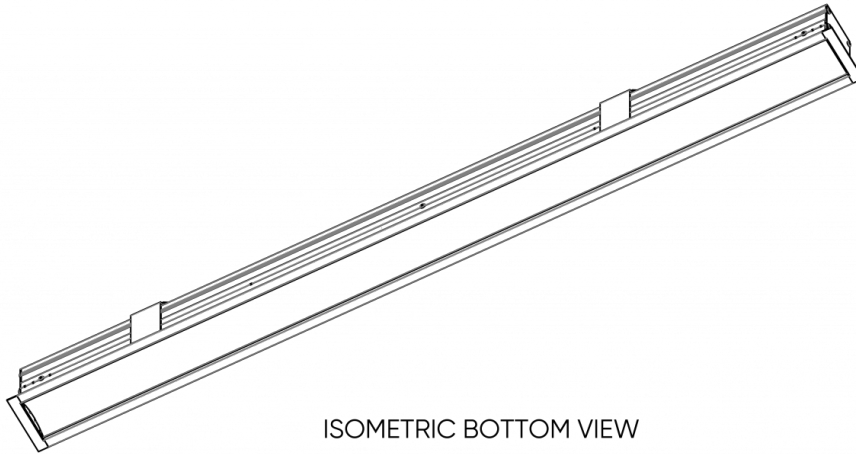
CPO Not required

CP1 Chicago Plenum



TUNNEL™ - CONTINUOUS RECESSED

DIMENSIONAL DIAGRAMS

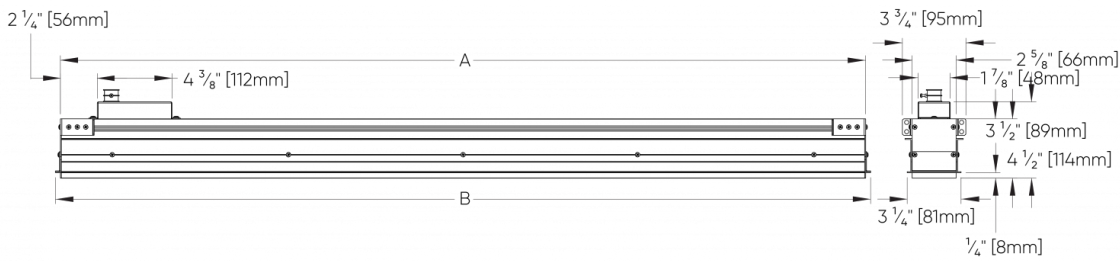


Top View
(Asymmetric Light Direction)



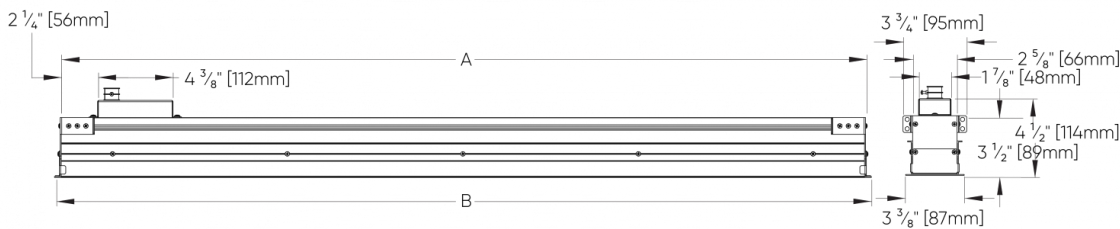
TUNNEL™ - CONTINUOUS RECESSED

Grid Ceiling - Tegular ceiling



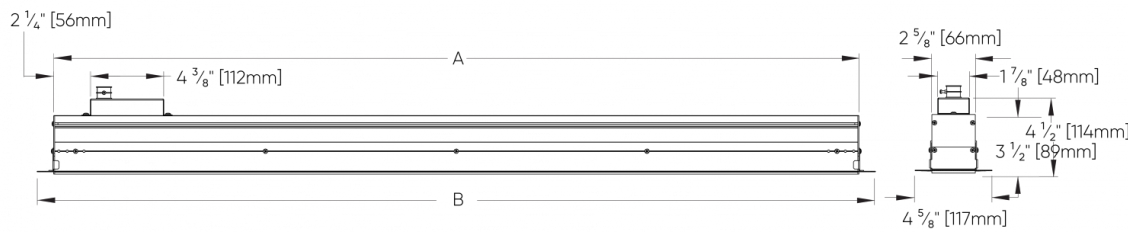
Max Length (Per section)	A	B
4ft	46 3/4" [1189mm]	47 3/4" [1212mm]
6ft	70 1/2" [1791mm]	71 3/4" [1821mm]
8ft	94 3/4" [2408mm]	95 3/4" [2431mm]
10ft	118 7/8" [3018mm]	119 3/4" [3040mm]
12ft	142 3/4" [3627mm]	143 3/4" [3650mm]

Grid Ceiling - T-bar ceiling



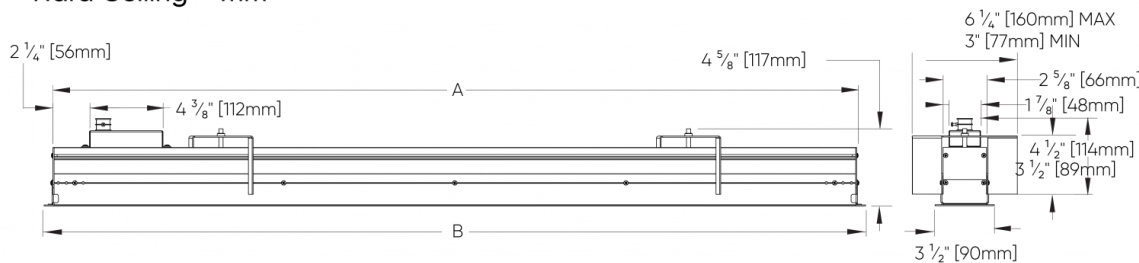
Max Length (Per section)	A	B
4ft	46 3/4" [1189mm]	47 3/4" [1212mm]
6ft	70 1/2" [1791mm]	71 3/4" [1821mm]
8ft	94 3/4" [2408mm]	95 3/4" [2431mm]
10ft	118 7/8" [3018mm]	119 3/4" [3040mm]
12ft	142 3/4" [3627mm]	143 3/4" [3650mm]

Hard Ceiling - Trimless



Max Length (Per section)	A	B
4ft	48 1/8" [1222mm]	50 1/8" [1273mm]
6ft	72 1/8" [1831mm]	74 1/8" [1882mm]
8ft	95 3/4" [2431mm]	98 5/8" [2492mm]
10ft	120 1/8" [3050mm]	122 3/4" [3040mm]
12ft	144 1/8" [3660mm]	146 1/8" [3711mm]

Hard Ceiling - Trim



Max Length (Per section)	A	B
4ft	48 1/8" [1222mm]	49" [1246mm]
6ft	72 1/8" [1831mm]	73" [1855mm]
8ft	96 3/4" [2431mm]	97" [2465mm]
10ft	120 1/8" [3050mm]	121" [3074mm]
12ft	144 1/8" [3660mm]	145" [3684mm]