



WARP HEMI™

FULL SPECIFICATION SHEET



FIXTURE TYPE



FIXTURE CODE

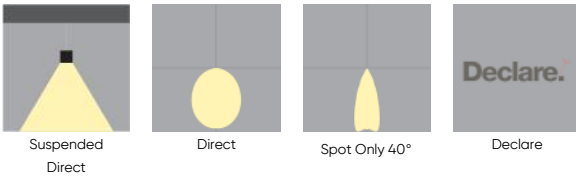


QUANTITIES

1 DESCRIPTION

Our dual circuit luminaire delivers high efficiency diffused, spot and direct light, allowing you to transition from general ambient to mood lighting. The direct spot light also comes with multiple packages that can give you a different lumen output and color temperature. Available in two sizes 18" & 24", the **WARP** family offers two styles of pendant plus a ceiling mounted version. The color temperature of each light source can be individually selected to deliver an effect best suited to the application. New to the **WARP** are a wide array of contemporary decorative colors to accent your architectural scene.

2 OPTICS & FEATURES



3 APPROVALS



4 GENERAL SPECIFICATION

BODY

Aluminum and steel.

CANOPY FINISH

Powder coated.

LENS

Acrylic.

REMOTE EMERGENCY

Emergency option provides a 1.5 hour (3 hours for EU) emergency lighting facility. The remote system includes the inverter module, NiCad batteries and a remote wall/ceiling LED charge indicator and test switch (NA only) Maximum distance between wall/ceiling plate and luminaire is 15' (4.5m). Test switch fits a single gang box (not supplied).

REMOTE MOUNTING OF DRIVERS

Wire Size (max distance from canopy to drivers) 18 AWG - 9.5' (2.9m), 16 AWG - 19.5' (5.9m), 14 AWG - 29.5' (9.0m). Drivers must be accessible after installation.

MECHANICAL

Luminaires mount directly to a J box (by others - North America only).

REPORTED L70 @25°C(77°F)

> 50,000 hrs.

DESIGN

US Pat. No. D897,589

SUSTAINABILITY

Designed for on-site LED board, driver, and optic replacement. Contact the factory for maintenance documentation.

SENSORS

Consult factory regarding sensor compatibility.

DRIVERS

HPF electronic drivers for 120-277V, 347V, (EU-240V). The driver is integral to the fixture housing.

SUSPENSION

Power over Suspension. Standard power options available, consult factory.

DELIVERED LUMENS

Delivered lumens & LPW based on 4000K (min 80 CRI).

APPROVALS

Damp Rated.

DESIGNED BY


Serge Cornelissen

5 DESIGN OPTIONS

FIXTURE FINISH

							
White	Black Metallic - Textured	Silver Metallic - Textured	Gold Metallic - Textured	Copper Metallic	Midnight Blue Metallic - Textured	Charcoal Metallic - Textured	Bronze Metallic - Textured
							
Champagne Metallic	Red Metallic - Textured						

CANOPY FINISH

							
White	Black Metallic - Textured	Silver Metallic - Textured	Gold Metallic - Textured	Midnight Blue Metallic - Textured	Copper Metallic	Charcoal Metallic - Textured	Bronze Metallic - Textured
							
Champagne Metallic	Red Metallic - Textured						

6 HOW TO ORDER

<p>LUMINAIRE</p> <p>WHPP1P18 18", 3300 lms WHPP1P24 24", 4900 lms</p>	<p>LUMENS</p> <p>LMA0200 2000 lm LMA0330 3300 lm LMA0490 4900 lm¹</p> <p><small>¹ Available for WHPP1P24 only.</small></p>	<p>CRI</p> <p>CR80 CRI 80+</p>	<p>CCT - DIRECT</p> <p>CTA27 2700K CTA30 3000K CTA35 3500K CTA40 4000K</p>
--	---	---------------------------------------	---

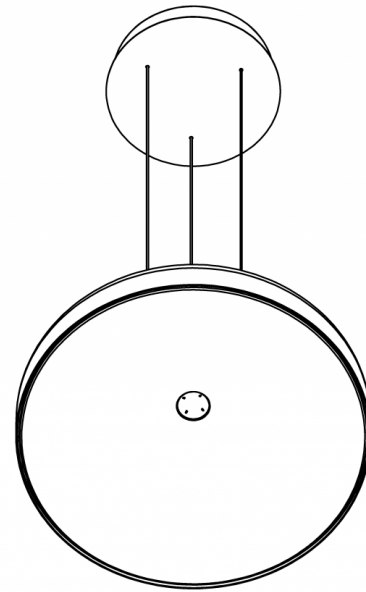
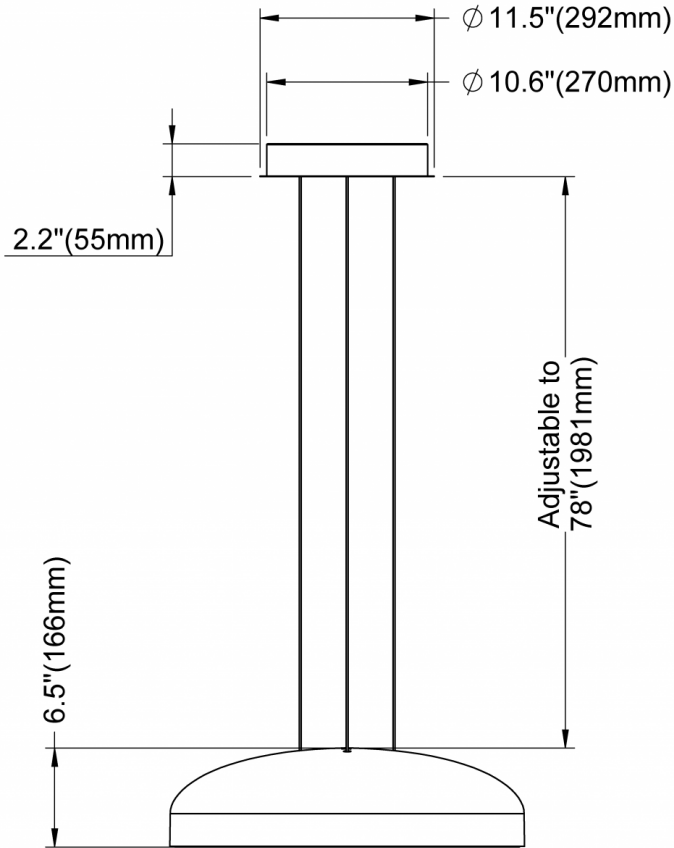
<p>CCT - DIRECT SPOT</p> <p>CTC00 Not required CTC27 2700K, 1700 lms CTC30 3000K, 1800 lms CTC35 3500K, 1900 lms CTC40 4000K, 1900 lms</p> <p>Beam angle for Downlight Spot is 40°.</p>	<p>VOLTAGE</p> <p>V1 120/277V V2 240V ¹ V3 347V ²</p> <p>¹ Not available in North America. ² Available with DA01 dimming only.</p>	<p>DIMMING</p> <p>DA01 0-10V Dimming 1.0% DA02 0-10V Dimming 0.1% ¹ DA20 DALI Dimming 0.1% ¹ DA21 DALI Dimming 1.0% ¹ DA30 DSI/switchDim ^{1 2}</p> <p>¹ Not available with 347V. ² Not available in North America.</p>	
<p>FIXTURE FINISH</p> <p>FA01 White FA02 Black Metallic - Textured FA20 Silver Metallic - Textured FA25 Gold Metallic - Textured FA45 Copper Metallic FA44 Midnight Blue Metallic - Textured FA46 Charcoal Metallic - Textured FA47 Bronze Metallic - Textured FA52 Champagne Metallic FA53 Red Metallic - Textured</p>	<p>CANOPY</p> <p>CN1 Canopy A ¹ CN2 Canopy B ²</p> <p>¹ Drivers are integral within the canopy. ² Drivers are in a remote box.</p>	<p>CANOPY FINISH</p> <p>CF01 White CF02 Black Metallic - Textured CF20 Silver Metallic - Textured CF25 Gold Metallic - Textured CF44 Midnight Blue Metallic - Textured CF45 Copper Metallic CF46 Charcoal Metallic - Textured CF47 Bronze Metallic - Textured CF52 Champagne Metallic CF53 Red Metallic - Textured</p>	<p>EMERGENCY</p> <p>E0 Not required E2 Emergency system - Remote</p>
<p>CIRCUITS</p> <p>CS1 Single circuit CS2 Dual circuit</p>			

7 TECHNICAL DATA

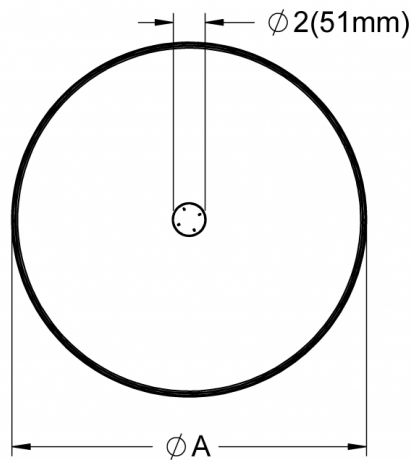
LUMINAIRE

Code	WHPP1P18	WHPP1P24
Diameter (A)	18"	24"
Light Direction	Direct	Direct
Wattage	22W	34W
Delivered lms	3300	4900
LPW	146	145
Height (B)	6"	6.5"

Warp Hemi Pendant 18" / 24"
 CN1 - Canopy A (Integral)

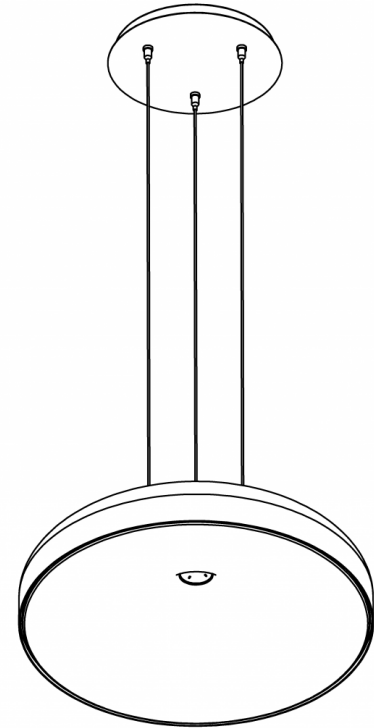
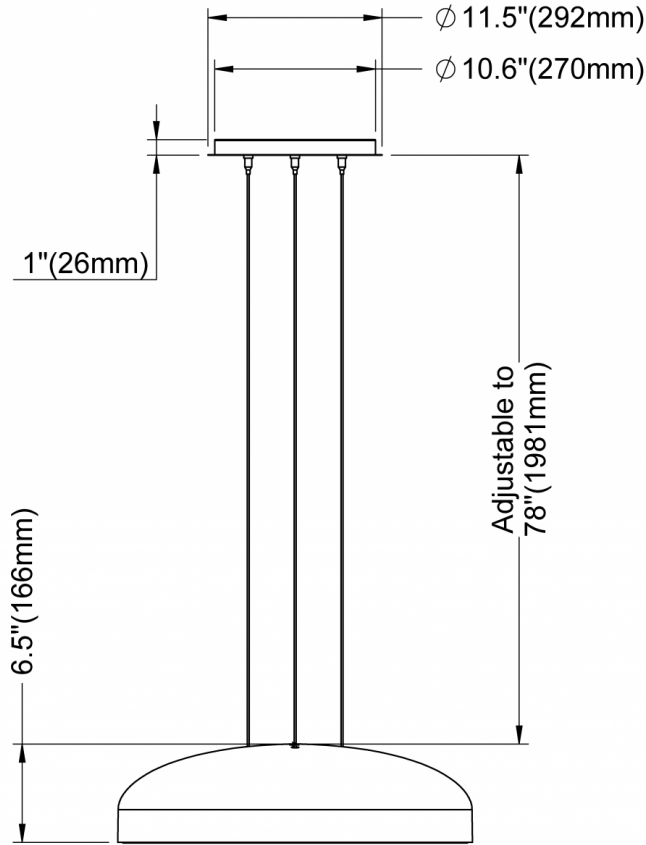


Isometric View

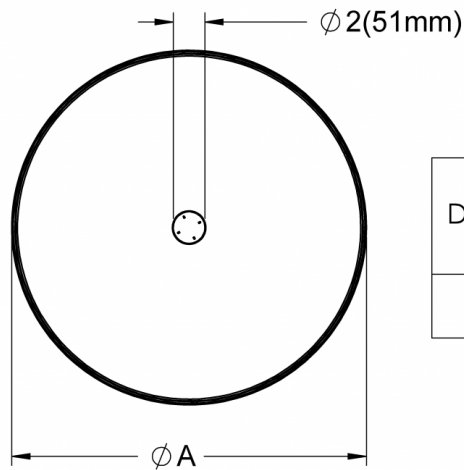


Diameter	Warp Hemi 18"	Warp Hemi 24"
A	17.7" (450mm)	23.4" (594mm)

Warp Hemi Pendant 18" / 24"
 CN2 - Canopy B (Remote)



Isometric View



Diameter	Warp Hemi 18"	Warp Hemi 24"
A	17.7" (450mm)	23.4" (594mm)