

# WARP HEMI™ - SUSPENDED



Project Name:

Fixture Type:

Fixture Code:

Quantities:

## A. LUMINAIRE

**WHPP1P18** 18", 3300 lms

**WHPP1P24** 24", 4900 lms

## B. LUMENS

**LMA0200** 2000 lm

**LMA0330** 3300 lm

**LMA0490** 4900 lm <sup>1</sup>

<sup>1</sup> Available for WHPP1P24 only.

## C. CRI

**CR80** CRI 80+

## D. CCT - DIRECT

**CTA30** 3000K

**CTA35** 3500K

**CTA40** 4000K

## E. CCT - DOWNLIGHT SPOT

**CTC00** Not required

**CTC27** 2700K, 1700 lms

**CTC30** 3000K, 1800 lms

**CTC35** 3500K, 1900 lms

**CTC40** 4000K, 1900 lms

Beam angle for Downlight Spot is 40°.

## F. VOLTAGE

**V1** 120/277V

**V2** 240V <sup>1</sup>

**V3** 347V <sup>2</sup>

<sup>1</sup> Not available in North America.

<sup>2</sup> Available with DA01 dimming only.

## G. DIMMING

**DA01** 0-10V Dimming 1.0%

**DA02** 0-10V Dimming 0.1% <sup>1</sup>

**DA20** DALI Dimming 0.1% <sup>1</sup>

**DA21** DALI Dimming 1.0% <sup>1</sup>

**DA30** DSI/switchDim <sup>1 2</sup>

<sup>1</sup> Not available with 347V.

<sup>2</sup> Not available in North America.

## H. FIXTURE FINISH

**FA01** White

**FA02** Black Metallic - Textured

**FA20** Silver Metallic - Textured

**FA25** Gold Metallic - Textured

**FA45** Copper Metallic

**FA44** Midnight Blue Metallic - Textured

**FA46** Charcoal Metallic - Textured

**FA47** Bronze Metallic - Textured

**FA52** Champagne Metallic

**FA53** Red Metallic - Textured

## I. CANOPY

**CN1** Canopy A <sup>1</sup>

**CN2** Canopy B <sup>2</sup>

<sup>1</sup> Drivers are integral within the canopy.

<sup>2</sup> Drivers are in a remote box.



# WARP HEMI™ - SUSPENDED

## J. CANOPY FINISH

**CF01** White

**CF44** Midnight Blue Metallic - Textured

**CF52** Champagne Metallic

**CF02** Black Metallic - Textured

**CF45** Copper Metallic

**CF53** Red Metallic - Textured

**CF20** Silver Metallic - Textured

**CF46** Charcoal Metallic - Textured

**CF25** Gold Metallic - Textured

**CF47** Bronze Metallic - Textured

## K. EMERGENCY

**E0** Not required

**E2** Emergency system - Remote

## CIRCUITS

**CS1** Single circuit

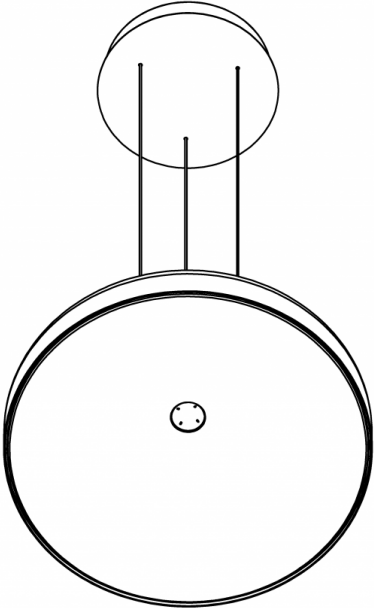
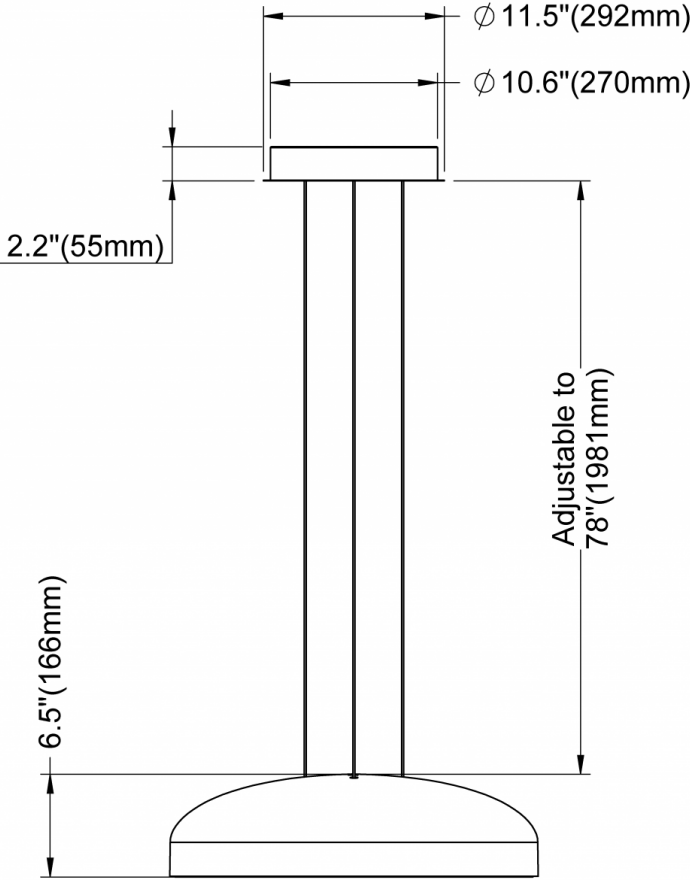
**CS2** Dual circuit



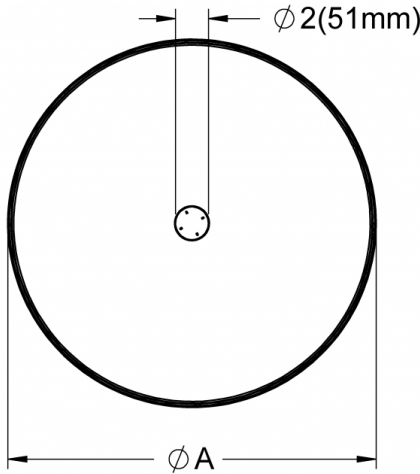
**WARP HEMI™ - SUSPENDED**

**DIMENSIONAL DIAGRAMS**

**Warp Hemi Pendant 18" / 24"**  
 CN1 - Canopy A (Integral)

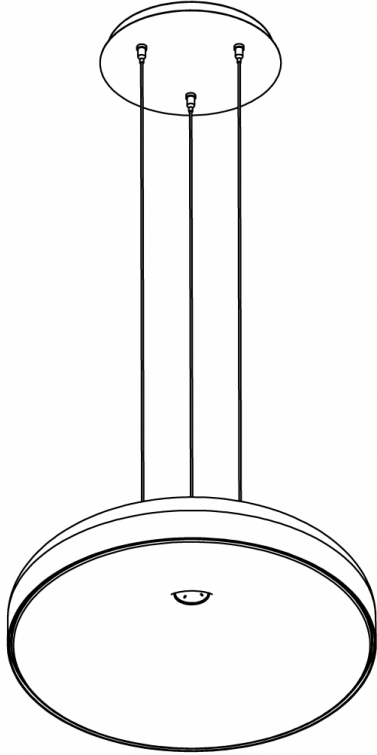
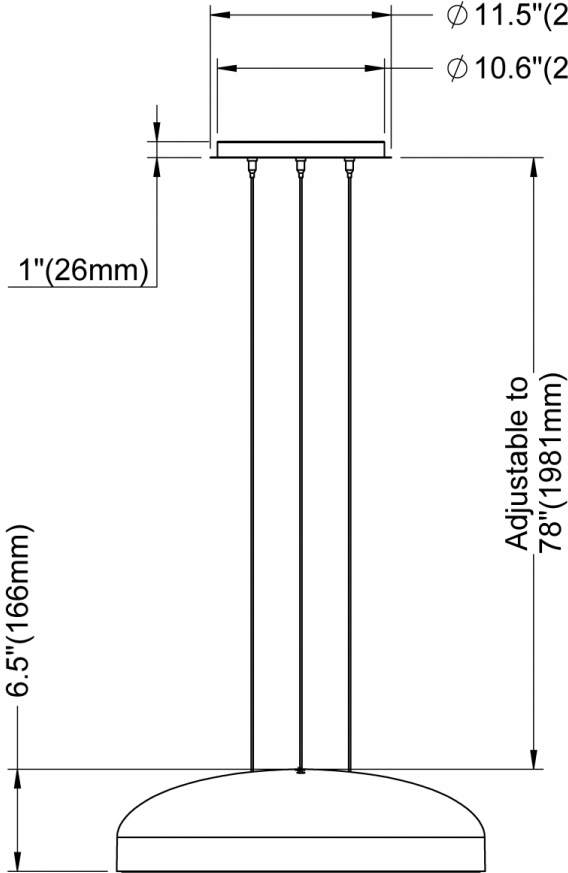


Isometric View

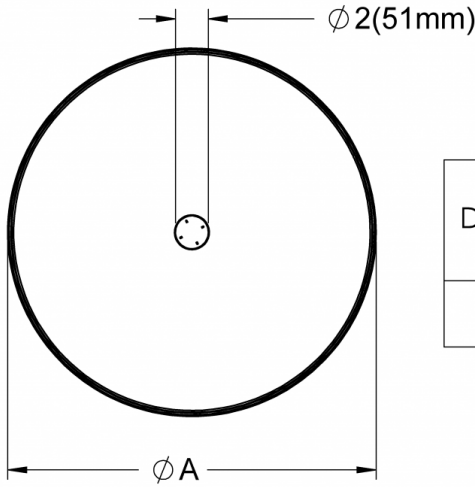


Diameter	Warp Hemi 18"	Warp Hemi 24"
A	17.7" (450mm)	23.4" (594mm)

Warp Hemi Pendant 18" / 24"  
 CN2 - Canopy B (Remote)



Isometric View



Diameter	Warp Hemi 18"	Warp Hemi 24"
A	17.7"(450mm)	23.4"(594mm)