

# WARP™ - SUSPENDED

Project Name:

Fixture Type:

Fixture Code:

Quantities:



# WARP™ - SUSPENDED



# WARP™ - SUSPENDED

Our revolutionary triple circuit luminaire delivers high efficiency diffused, spot and indirect light, allowing you to transition from general ambient to mood lighting. Available in two sizes 18" (457mm) & 24" (610mm), the **WARP** family offers two styles of pendant plus a ceiling mounted version. The color temperature of each light source can be individually selected to deliver an effect best suited to the application. New to the WARP are a wide array of contemporary decorative colors to accent your architectural scene.

## GENERAL SPECIFICATION

### Body

Aluminum and steel.

### Suspension

Power over Suspension. Standard power options available, consult factory.

### Remote emergency

Emergency option provides a 1.5 hour (3 hours for EU) emergency lighting facility. The remote system includes the inverter module, NiCad batteries and a remote wall/ceiling LED charge indicator and test switch (NA only) Maximum distance between wall/ceiling plate and luminaire is 15' (4.5m). Test switch fits a single gang box (not supplied).

### Mechanical

Luminaires mount directly to a J box (by others - North America only).

### Sensors

Consult factory regarding sensor compatibility.

### Approvals

Damp Rated.

### Designed by

Serge Cornelissen.

### Canopy finish

Powder coated.

### Diffuser

Acrylic.

### Drivers

HPF electronic drivers for 120-277V, 347V, (EU-240V). The driver is integral to the fixture housing.

### Delivered lumens

Delivered lumens & LPW based on 4000K (min 80 CRI).

### L70 @25°C

> 50,000 hrs.

### Design

US Pat. No. D893,083.

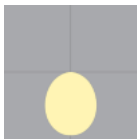
## MOUNTING & OPTICS



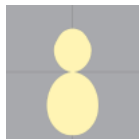
Suspended Direct



Suspended Direct/Indirect



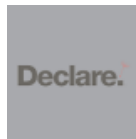
Direct



Direct-Indirect



Spot Only 40°



Declare

# WARP™ - SUSPENDED

## HOW TO ORDER

### A. LUMINAIRE

**WRPP1P18** 18" Direct, 3300 lms

**WRPP1P24** 24" Direct, 4900 lms

**WRPP2P18** 18" Direct/Indirect, 3300 lms Direct, 2400 lms Indirect

**WRPP2P24** 24" Direct/Indirect, 4900 lms Direct, 2400 lms Indirect

### B. LUMENS (DIRECT)

**LMA0200** 2000 lm

**LMA0330** 3300 lm

**LMA0490** 4900 lm

### C. LUMENS (INDIRECT)

**LMB0000** Not required

**LMB0120** 1200 lm

**LMB0180** 1800 lm

**LMB0240** 2400 lm

### D. CRI

**CR80** CRI 80+

### E. CCT - DIRECT

**CTA30** 3000K

**CTA35** 3500K

**CTA40** 4000K

### F. CCT - INDIRECT

**CTB00** Not required

**CTB30** 3000K

**CTB35** 3500K

**CTB40** 4000K

### G. CCT - DOWNLIGHT SPOT

**CTC00** Not required

**CTC27** 2700K, (1730 lms)

**CTC30** 3000K, (1800 lms)

**CTC35** 3500K, (1900 lms)

**CTC40** 4000K, (1900 lms)

Beam angle for Downlight Spot is 40°.

### H. UPLIGHT DIFFUSER

**UD0** Not required

**UD1** Clear diffuser

**UD2** Opal diffuser

### I. VOLTAGE

**V1** 120/277V

**V2** 240V<sup>1</sup>

**V3** 347V<sup>2</sup>

<sup>1</sup> Not available in North America.

<sup>2</sup> Available with DAO1 dimming only.

### J. DIMMING

**DA01** 0-10V Dimming 1.0%

**DA02** 0-10V Dimming 0.1%<sup>1</sup>

**DA20** DALI Dimming 0.1%<sup>1</sup>

**DA21** DALI Dimming 1.0%<sup>1</sup>

**DA30** DSI/switchDim<sup>1 2</sup>

<sup>1</sup> Not available with V3.

<sup>2</sup> Not available in North America.

### K. FIXTURE FINISH

**FA01** White

**FA02** Black Metallic - Textured

**FA20** Silver Metallic - Textured

**FA25** Gold Metallic - Textured

**FA44** Midnight Blue Metallic - Textured

**FA45** Copper Metallic

**FA46** Charcoal Metallic - Textured

**FA47** Bronze Metallic - Textured

**FA52** Champagne Metallic

**FA53** Red Metallic - Textured



# WARP™ - SUSPENDED

## L. CANOPY

**CN1** Canopy A <sup>1</sup>

**CN2** Canopy B <sup>2</sup>

---

<sup>1</sup> Drivers are integral within the canopy.

<sup>2</sup> Drivers are in a remote box.

## M. CANOPY FINISH

**CF01** White

**CF02** Black Metallic - Textured

**CF20** Silver Metallic - Textured

**CF25** Gold Metallic - Textured

**CF44** Midnight Blue Metallic - Textured

**CF45** Copper Metallic

**CF46** Charcoal Metallic - Textured

**CF47** Bronze Metallic - Textured

**CF52** Champagne Metallic

**CF53** Red Metallic - Textured

## N. EMERGENCY

**E0** Not required

**E2** Emergency system - Remote

## CIRCUITS

**CS1** Single Circuit <sup>1</sup>

**CS2** Dual Circuit <sup>2</sup>

**CS3** Triple Circuit <sup>3</sup>

---

<sup>1</sup> The entire fixture will be on one circuit.

<sup>2</sup> Spot light will be on a separate circuit from the main fixture. If the Spot light is not selected, then Direct and Indirect will be on a separate circuit.

<sup>3</sup> Direct, Indirect and Spot light will all be on separate circuits.



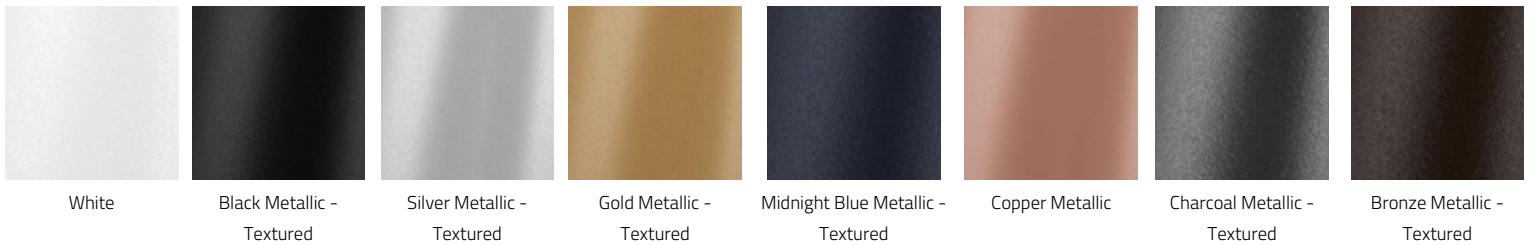
# WARP™ - SUSPENDED

## TECHNICAL DATA

### LUMINAIRE

Code	WRPP1P18	WRPP1P24	WRPP2P18	WRPP2P24
Diameter (A)	18"	24"	18"	24"
Light Direction	Direct	Direct	Direct/Indirect	Direct/Indirect
Wattage	22	34	43	54
Delivered lms (Direct)	3300	4900	3300	4900
Delivered lms (Indirect)			2400	2400
LPW	146	145	131	132
Height (B)	6"	6.5"	6"	6.5"

### FIXTURE FINISH



### CANOPY FINISH



# WARP™ - SUSPENDED

## APPROVALS



DAMP  
LOCATION



IP20



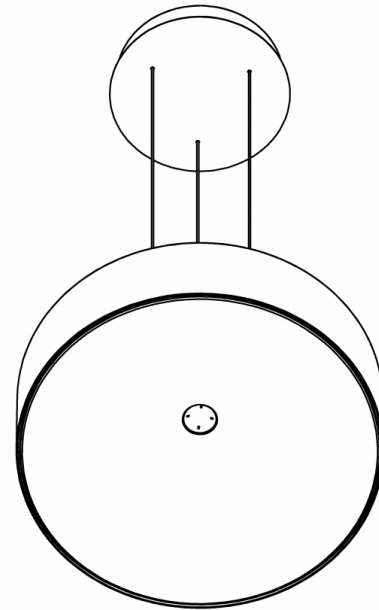
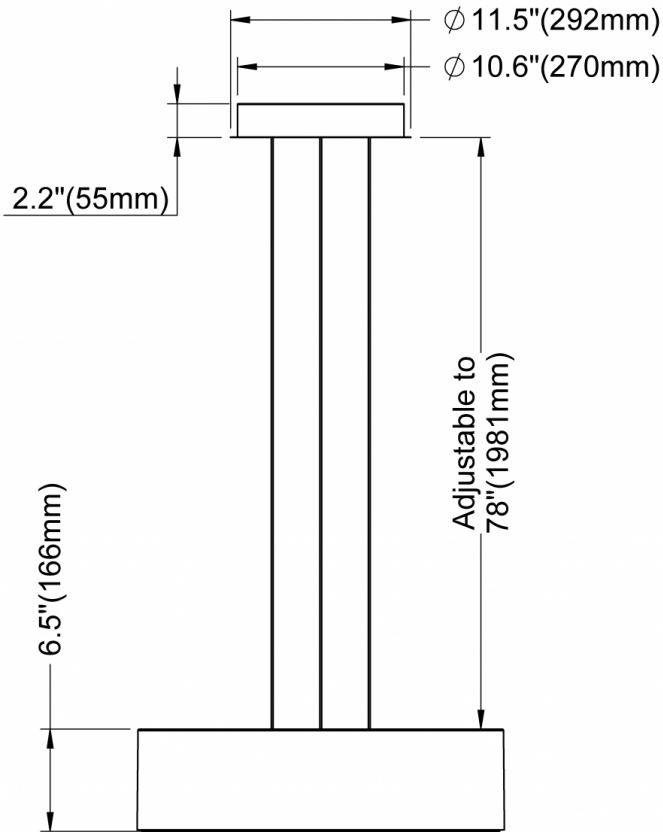
# WARP™ - SUSPENDED

## DIMENSIONAL DIAGRAMS

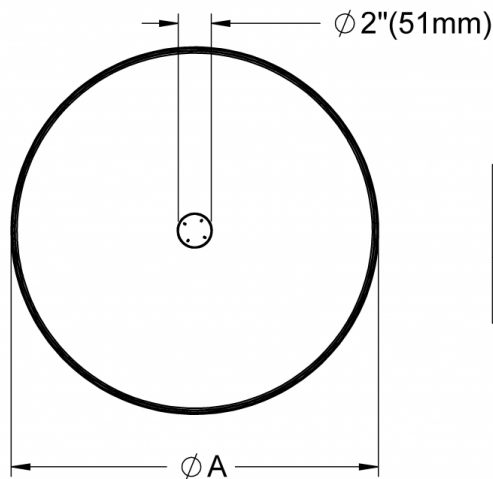
### Warp Flat Pendant 18" / 24"

**Canopy:** CN1 - Canopy A (Integral)  
**Type:** Direct, Direct/Indirect (Two Light Source)

**Canopy:** CN1 - Canopy A (Integral)  
**Type:** Direct, Direct/Indirect (Three Light Source)  
**Dimming:** DA01  
**Voltage:** V1



Isometric View



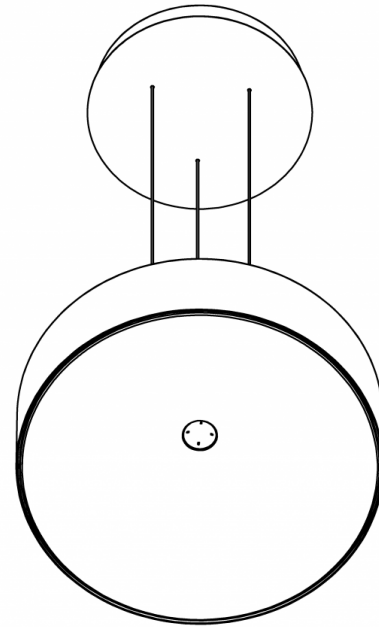
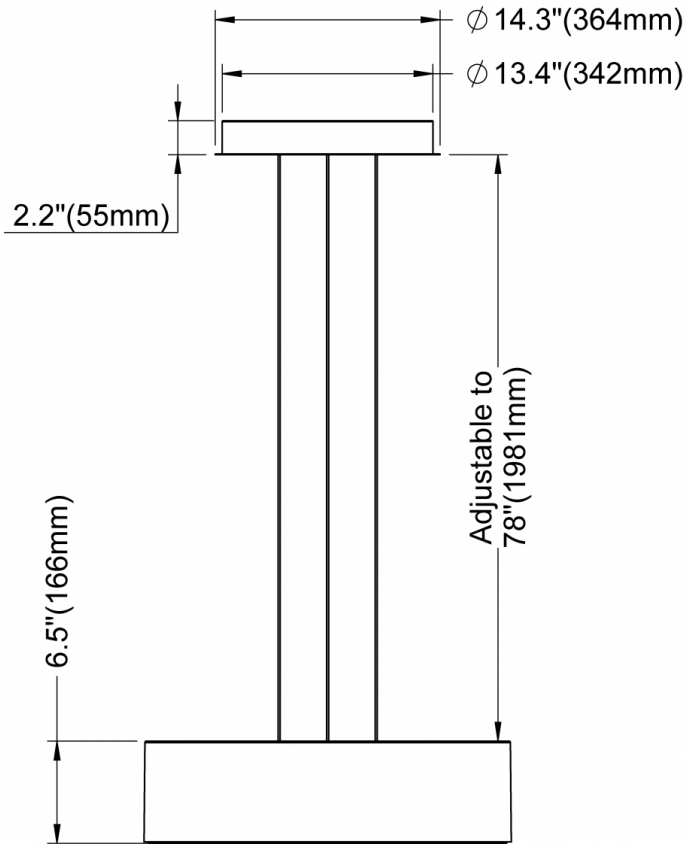
Diameter	Warp Flat 18"	Warp Flat 24"
A	17.7" (450mm)	23.4" (594mm)



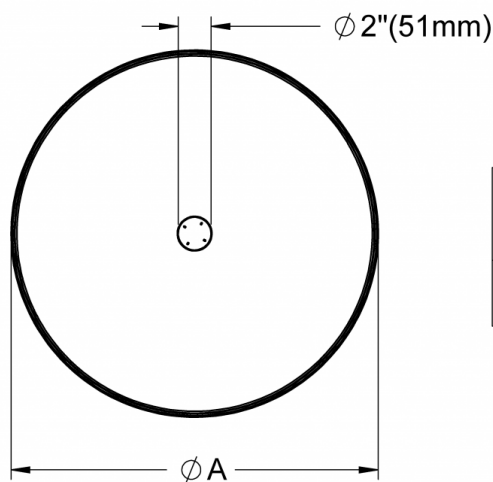
# Warp Flat Pendant 18" / 24"

**Canopy:** CN1 - Canopy A (Integral)  
**Type:** Direct/Indirect (Three Light Source)  
**Voltage:** V2

**Canopy:** CN1 - Canopy A (Integral)  
**Type:** Direct, Direct/Indirect (Three Light Source)  
**Voltage:** V1      **Dimming:** DA02, DA20, DA21



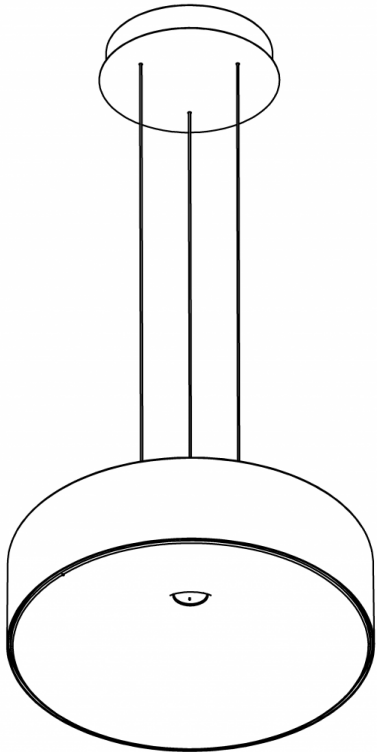
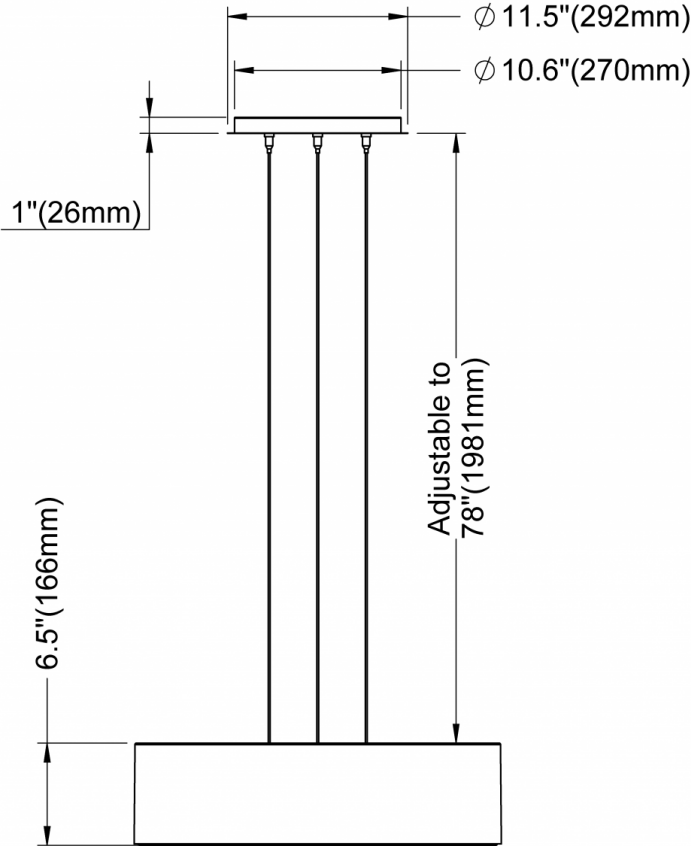
Isometric View



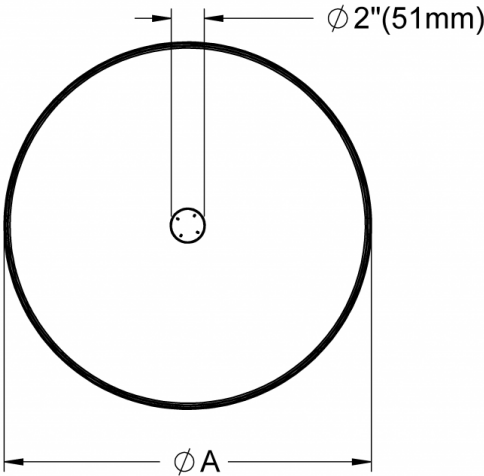
Diameter	Warp Flat 18"	Warp Flat 24"
A	17.7"(450mm)	23.4"(594mm)

Warp Flat Pendant 18" / 24"

Canopy: CN2 - Canopy B (Remote)



Isometric View



Diameter	Warp Flat 18"	Warp Flat 24"
A	17.7" (450mm)	23.4" (594mm)