

WARP™ - SUSPENDED

Project Name:

Fixture Type:

Fixture Code:

Quantities:

A. LUMINAIRE

WRPP1P18 18" Direct, 3300 lms

WRPP1P24 24" Direct, 4900 lms

WRPP2P18 18" Direct/Indirect, 3300 lms Direct, 2400 lms Indirect

WRPP2P24 24" Direct/Indirect, 4900 lms Direct, 2400 lms Indirect

B. LUMENS (DIRECT)

LMA0200 2000 lm

LMA0330 3300 lm

LMA0490 4900 lm

C. LUMENS (INDIRECT)

LMB0000 Not required

LMB0120 1200 lm

LMB0180 1800 lm

LMB0240 2400 lm

D. CRI

CR80 CRI 80+

E. CCT - DIRECT

CTA30 3000K

CTA35 3500K

CTA40 4000K

F. CCT - INDIRECT

CTB00 Not required

CTB30 3000K

CTB35 3500K

CTB40 4000K

G. CCT - DOWNLIGHT SPOT

CTC00 Not required

CTC27 2700K, (1730 lms)

CTC30 3000K, (1800 lms)

CTC35 3500K, (1900 lms)

CTC40 4000K, (1900 lms)

Beam angle for Downlight Spot is 40°.

H. UPLIGHT DIFFUSER

UD0 Not required

UD1 Clear diffuser

UD2 Opal diffuser

I. VOLTAGE

V1 120/277V

V2 240V ¹

V3 347V ²

¹ Not available in North America.

² Available with DA01 dimming only.

J. DIMMING

DA01 0-10V Dimming 1.0%

DA02 0-10V Dimming 0.1% ¹

DA20 DALI Dimming 0.1% ¹

DA21 DALI Dimming 1.0% ¹

DA30 DSI/switchDim ^{1 2}

¹ Not available with V3.

² Not available in North America.

K. FIXTURE FINISH

FA01 White

FA02 Black Metallic - Textured

FA20 Silver Metallic - Textured

FA25 Gold Metallic - Textured

FA44 Midnight Blue Metallic - Textured

FA45 Copper Metallic

FA46 Charcoal Metallic - Textured

FA47 Bronze Metallic - Textured

FA52 Champagne Metallic

FA53 Red Metallic - Textured



WARP™ - SUSPENDED

L. CANOPY

CN1 Canopy A ¹

CN2 Canopy B ²

¹ Drivers are integral within the canopy.

² Drivers are in a remote box.

M. CANOPY FINISH

CF01 White

CF02 Black Metallic - Textured

CF20 Silver Metallic - Textured

CF25 Gold Metallic - Textured

CF44 Midnight Blue Metallic - Textured

CF45 Copper Metallic

CF46 Charcoal Metallic - Textured

CF47 Bronze Metallic - Textured

CF52 Champagne Metallic

CF53 Red Metallic - Textured

N. EMERGENCY

E0 Not required

E2 Emergency system - Remote

CIRCUITS

CS1 Single Circuit ¹

CS2 Dual Circuit ²

CS3 Triple Circuit ³

¹ The entire fixture will be on one circuit.

² Spot light will be on a separate circuit from the main fixture. If the Spot light is not selected, then Direct and Indirect will be on a separate circuit.

³ Direct, Indirect and Spot light will all be on separate circuits.



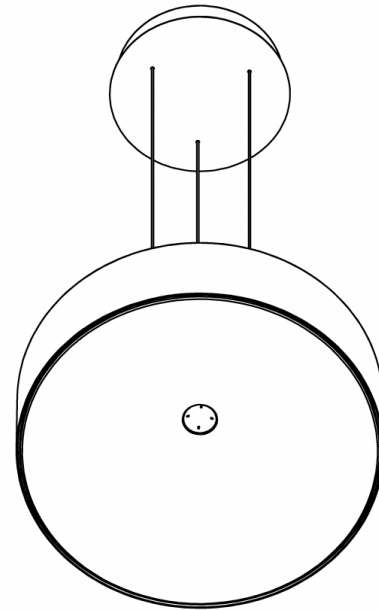
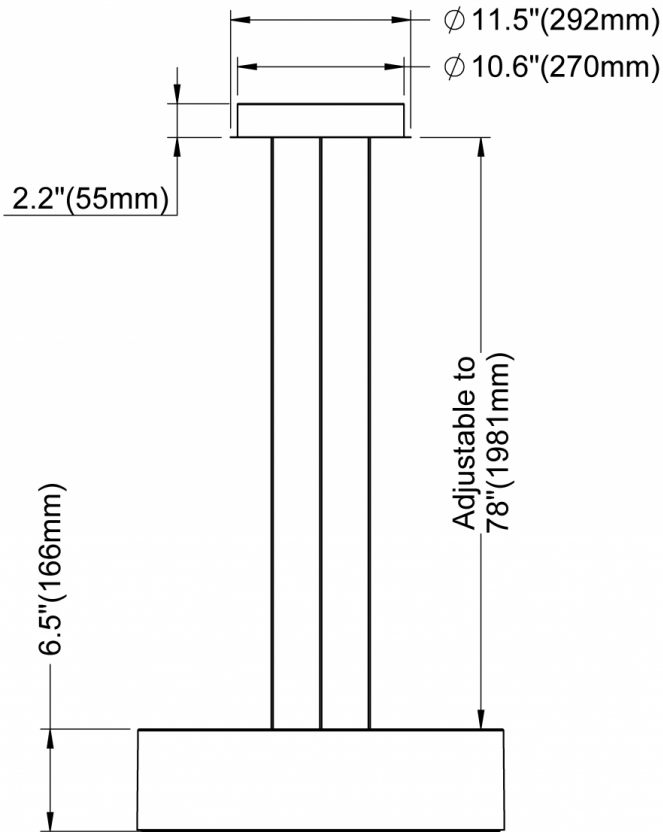
WARP™ - SUSPENDED

DIMENSIONAL DIAGRAMS

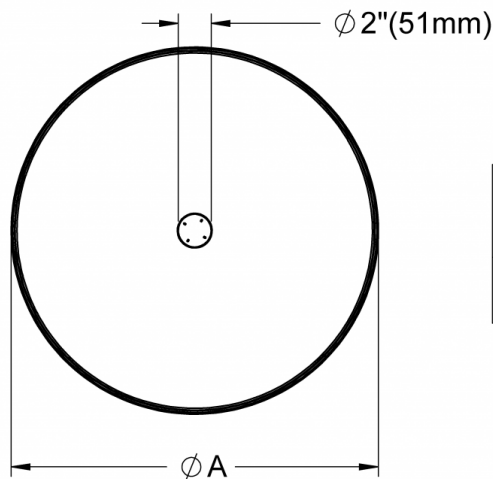
Warp Flat Pendant 18" / 24"

Canopy: CN1 - Canopy A (Integral)
Type: Direct, Direct/Indirect (Two Light Source)

Canopy: CN1 - Canopy A (Integral)
Type: Direct, Direct/Indirect (Three Light Source)
Dimming: DA01
Voltage: V1



Isometric View

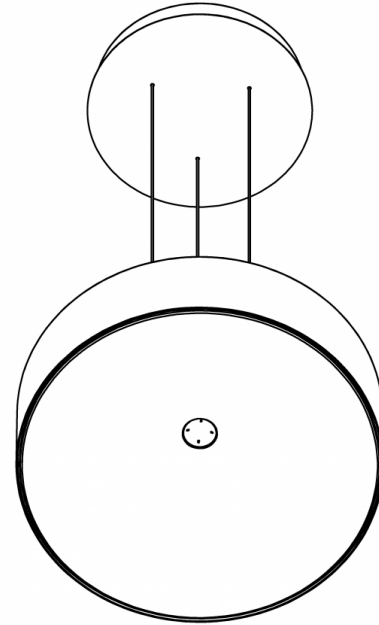
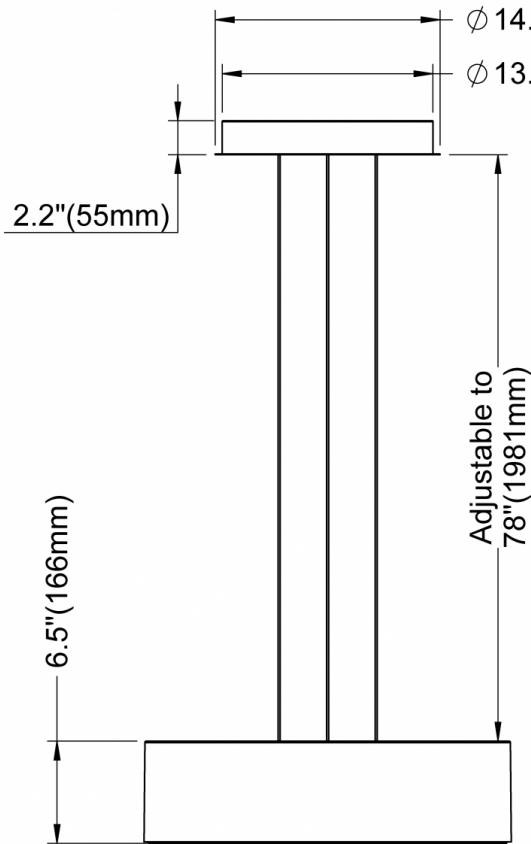


Diameter	Warp Flat 18"	Warp Flat 24"
A	17.7" (450mm)	23.4" (594mm)

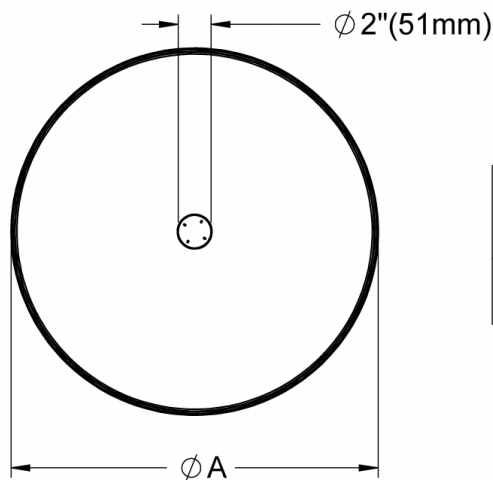
Warp Flat Pendant 18" / 24"

Canopy: CN1 - Canopy A (Integral)
Type: Direct/Indirect (Three Light Source)
Voltage: V2

Canopy: CN1 - Canopy A (Integral)
Type: Direct, Direct/Indirect (Three Light Source)
Voltage: V1 **Dimming:** DA02, DA20, DA21



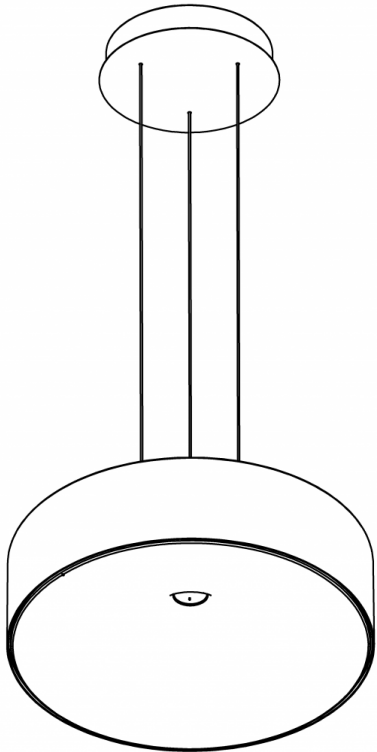
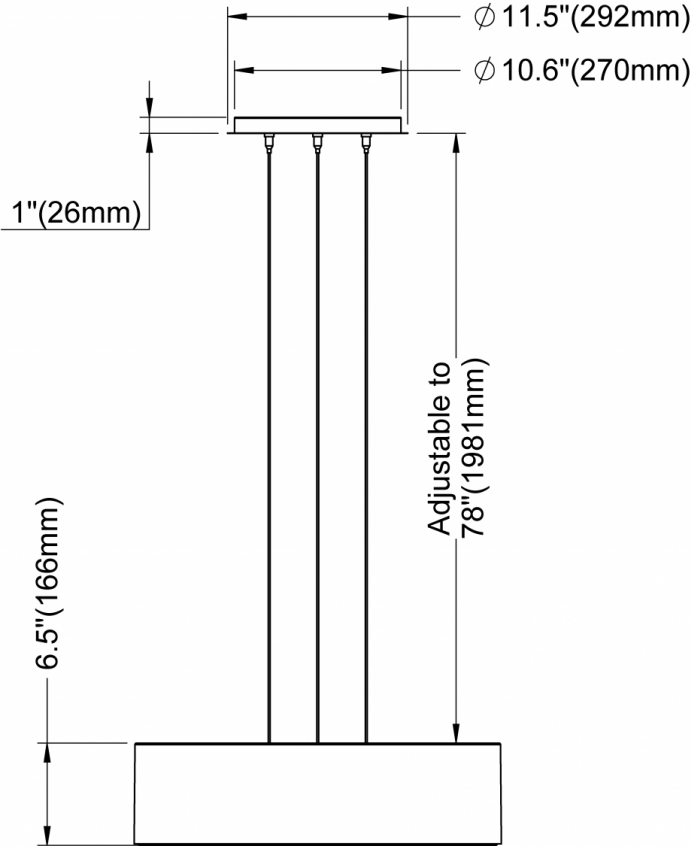
Isometric View



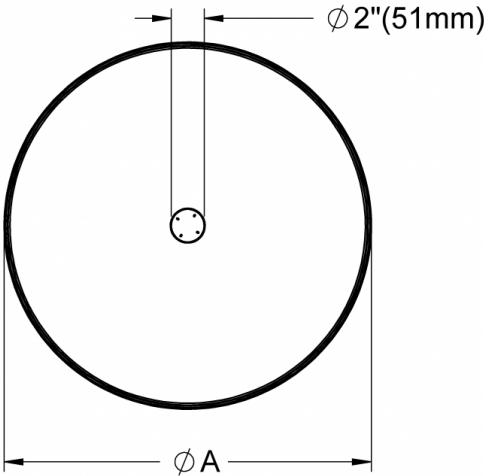
Diameter	Warp Flat 18"	Warp Flat 24"
A	17.7"(450mm)	23.4"(594mm)

Warp Flat Pendant 18" / 24"

Canopy: CN2 - Canopy B (Remote)



Isometric View



Diameter	Warp Flat 18"	Warp Flat 24"
A	17.7" (450mm)	23.4" (594mm)