

XACARA CT™ - RECESSED

Project Name:

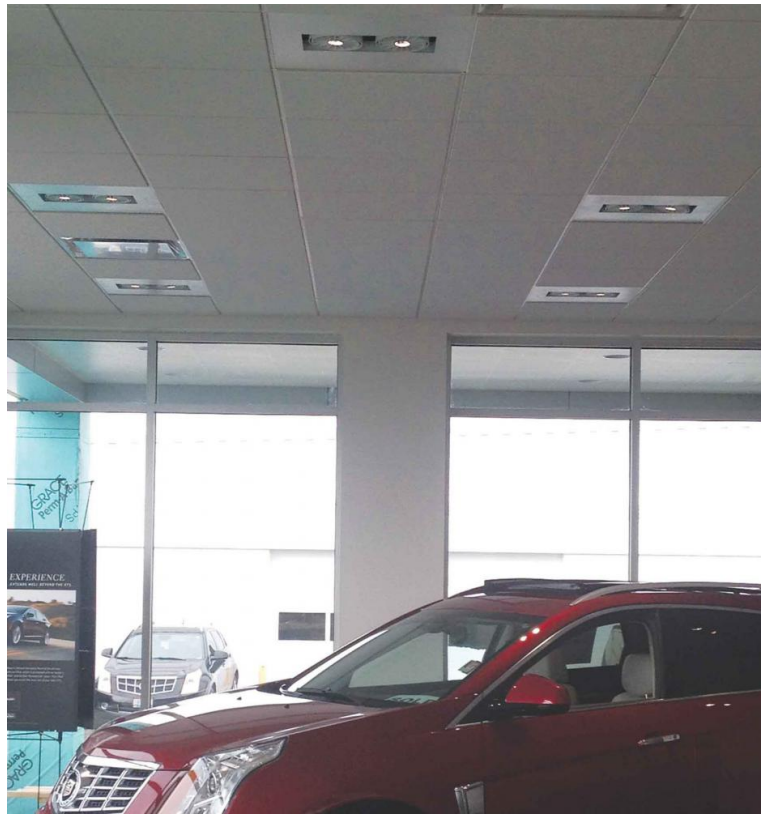
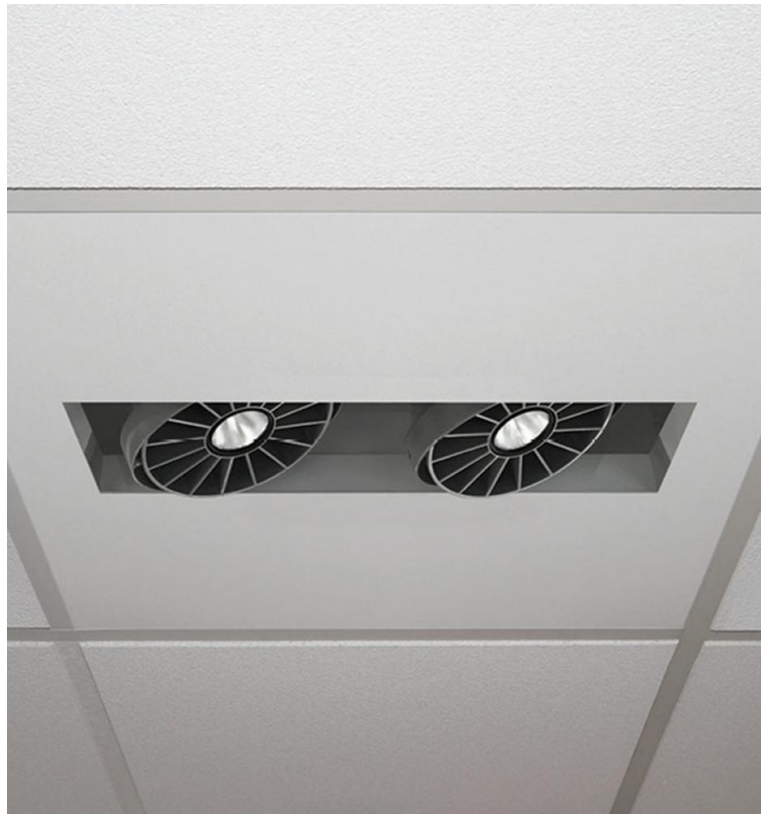
Fixture Type:

Fixture Code:

Quantities:



XACARA CT™ - RECESSED



XACARA CT™ - RECESSED

XACARA CT is a T-bar-ready system offering pre-installed spots in a 2' x 2' cold steel panel. This design integrates a trimless aesthetic into the grid system, for a seamless look. The spotlight apertures are available in rounded or sharp corners. Optimize light levels and color saturation according to the application by choosing up to 4 spotlights in a single unit, with either medium or wide beam angles, 2 LED powers, and CRI of 80 or 90.

GENERAL SPECIFICATION

Housing

Steel. For new construction. Non I.C. rated housing (NA only). Not suitable for insulated ceilings.

Gimbal

Fully articulating on two axes.

Mounting

Lays into 2 x 2 T-bar ceiling. Multiple suspension points provided, suspension hardware by others.

Electrical

Through branch wiring. J box and driver housing easily accessible.

Integral Emergency system (NA only)

Emergency option provides a 1.5 hour emergency lighting facility. The self contained system includes the inverter module, NiCad batteries, LED charge indicator and test switch.

Delivered Lumens

Delivered lumens & LPW based on 3000K (min 80 CRI).

Reported L70 @25°C (77°F)

> 60,000 hrs.

Note

Photometric testing performed using LM 79 procedures

Array housings

Die cast aluminium.

Protective lens

Clear glass. 26W fixtures only.

Finish

Main panel satin white powder coated. Other components as specified.

Reflectors

Highly reflective, specular finish, vacuum plated.

Drivers

HPF electronic for 120-277V (EU-240V). 0-10V dimming (10%). The driver is integral to the fixture housing.

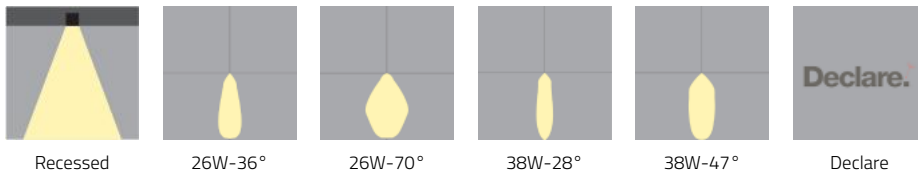
Sensors

Consult factory regarding sensor compatibility.

Approvals

Damp Rated.

MOUNTING & OPTICS



XACARA CT™ - RECESSED

HOW TO ORDER

A. LUMINAIRE

513010 1 spotlight head

513020 2 spotlight heads

513040 4 spotlight heads

B. BRIDGELUX LED

LA 3000K, 80 CRI, 2085 lms

LB 3000K, 90 CRI, 1689 lms

LC 3500K, 80 CRI, 2127 lms

LD 3500K, 90 CRI, 1770 lms

LE 4000K, 80 CRI, 2169 lms

LF 4000K, 90 CRI, 1820 lms

LG 3000K, 80 CRI, 3045 lms

LH 3000K, 90 CRI, 2471 lms

LI 3500K, 80 CRI, 3133 lms

LJ 3500K, 90 CRI, 2674 lms

LK 4000K, 80 CRI, 3185 lms

LL 4000K, 90 CRI, 2686 lms

C. APERTURE

SQ Rectangular

RD Round

D. REFLECTORS

R1 Medium 36° (Bridgelux-26W)

R3 Medium 28° (Bridgelux-38W)

R4 Wide 47° (Bridgelux-38W)

E. HEAD/GIMBAL FINISH

W1 White

B1 Black Metallic Textured

M1 Silver Metallic Textured

F. INTERNAL FINISH

W2 White

B2 Black Metallic Textured

G. DIMMING OPTIONS

D1 0-10V Dimming (1%)

D2 0-10V Dimming (0.1%)

DL DALI Dimming (1%)

DA DALI Dimming (0.1%)

L1 Lutron L3DA3W Hi Lume 1%

L3 Lutron L3DAE Hi Lume 1%
EcoSystem

H. OPTIONS

CP Chicago Plenum ¹

EM Integral Emergency

Options shown are available in North America only.



XACARA CT™ - RECESSED

TECHNICAL DATA

LUMINAIRE

Code	513010	513020	513040
Type	1 spotlight head	2 spotlight heads	4 spotlight heads

LED

Code	LA	LB	LC	LD	LE	LF
Power (LED)	26W	26W	26W	26W	26W	26W
CCT	3000K	3000K	3500K	3500K	4000K	4000K
CRI	80	90	80	90	80	90
Dimensions	A	A	A	A	A	A
Delivered lms	2085	1689	2127	1770	2169	1820
LPW	80	65	81	68	83	70
CBCP	4104	3324	4186	3483	4268	3581

Code	LG	LH	LI	LJ	LK	LL
Power (LED)	38W	38W	38W	38W	38W	38W
CCT	3000K	3000K	3500K	3500K	4000K	4000K
CRI	80	90	80	90	80	90
Dimensions	B	B	B	B	B	B
Delivered lms	3045	2471	3133	2674	3185	2686
LPW	80	65	82	70	83	70
CBCP	6087	4938	6264	5344	6367	5369

HEAD/GIMBAL FINISH



White

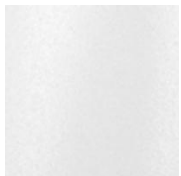


Black Metallic Textured

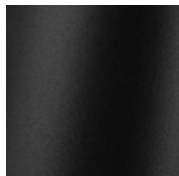


Silver Metallic Textured

INTERNAL FINISH



White



Black Metallic Textured

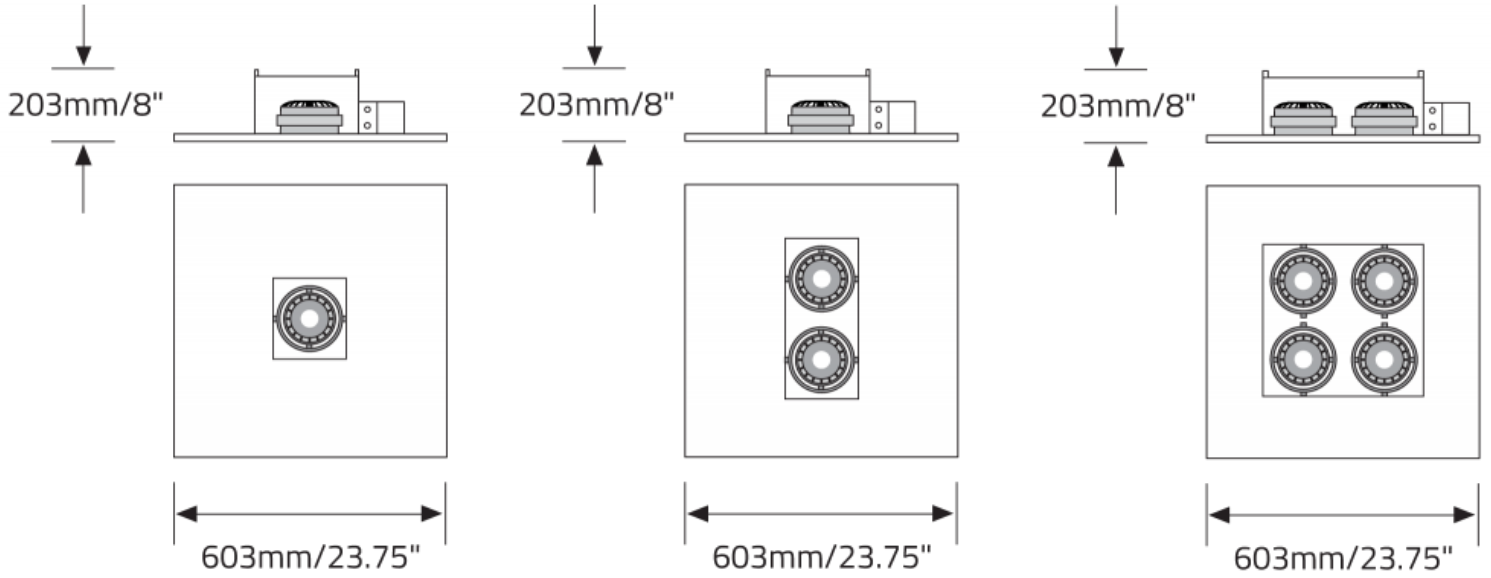
APPROVALS



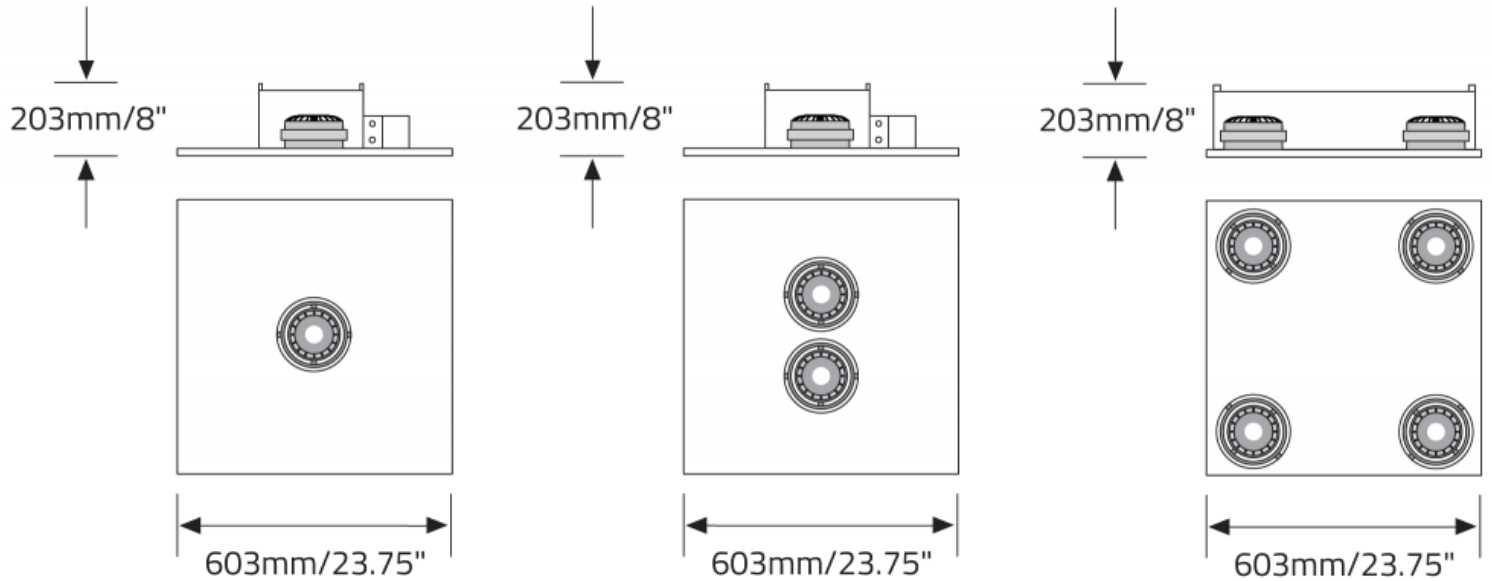
XACARA CT™ - RECESSED

DIMENSIONAL DIAGRAMS

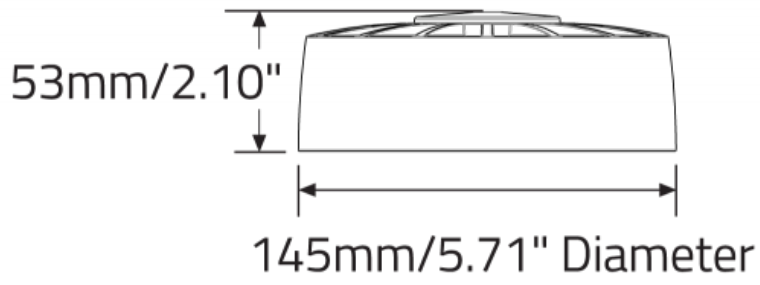
Rectangular Aperture



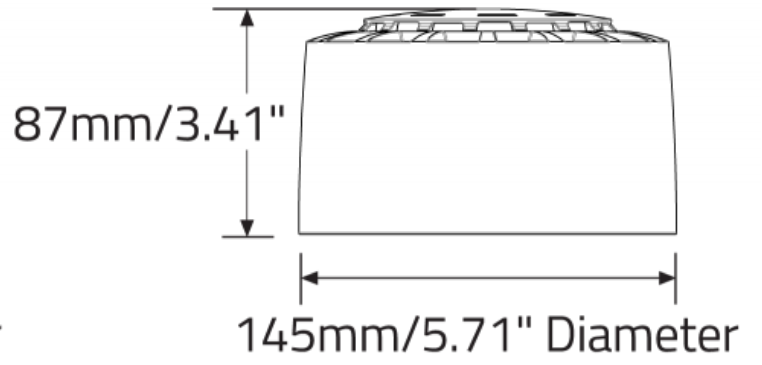
Round Aperture



XACARA CT™ - RECESSED



DIMENSION A



DIMENSION B