

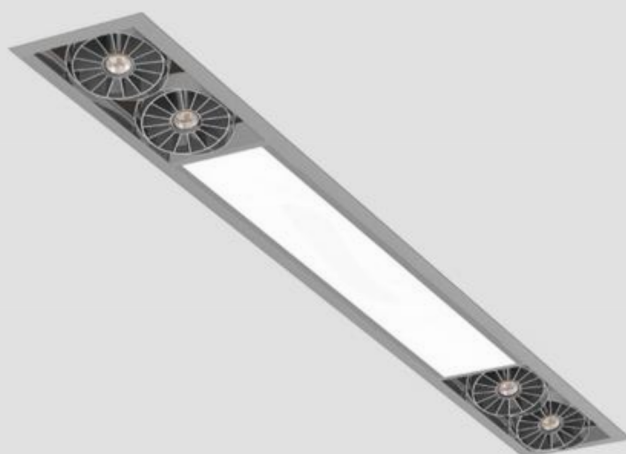
XACARA II NC™ - CEILING RECESSED

Project Name:

Fixture Type:

Fixture Code:

Quantities:



XACARA II NC™ - CEILING RECESSED

GENERAL SPECIFICATION

Housing

Steel. For new construction. Non I.C. rated housing (NA only). Not suitable for insulated ceilings.

Gimbal

Fully articulating on two axes.

Trimless

Housing includes mesh plates for trimless installation of drywall or plaster ceilings. Drywall/plaster compound to be applied up to edge of fixture to achieve a clean edge. Both trim and trimless designs suitable for ceiling thickness 12mm/0.5" to 31mm/1.25".

Electrical

Access above ceiling not required. Through branch wiring. Driver access from below for ease of maintenance.

Protective lens

Clear glass. 26W LED fixtures only.

Drivers

HPF electronic for 120-277V (EU-240V). 0-10V dimming (10%).

L70 @25°C (77°F)

> 60,000 hrs.

Approvals

Damp Location (Indoor use only).

Array housings

Die cast aluminium.

Trim

Removable flange 19mm/0.75" wide.

Mounting

Butterfly brackets, C channel, T bar fasteners, bar hangers and suspension points.

Reflectors

Highly reflective, specular finish, vacuum plated.

Finish

Powder coated, as specified.

Integral Emergency system (NA only)

Emergency option provides a 1.5 hour emergency lighting facility. The self contained system includes the inverter module, NiCad batteries, LED charge indicator and test switch.

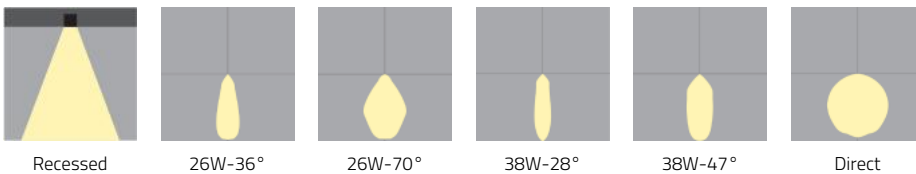
Delivered Lumens

Delivered lumens & LPW based on 3000K (min 80 CRI).

Note

Photometric testing performed using LM79 procedures.

MOUNTING & OPTICS



XACARA II NC™ - CEILING RECESSED

HOW TO ORDER

A. LUMINAIRE

510252 510252

510254 510254

B. BRIDGELUX LED

LA

LB

LC 3500K, 80 CRI, 2127 lms

LD 3500K, 90 CRI, 1770 lms

LE

LF

LG

LH 3000K, 90 CRI, 2471 lms

LI

LK 4000K, 80 CRI, 3185 lms

LL 4000K, 90 CRI, 2686 lms

C. REFLECTORS

R1 Medium 36° (Bridgelux-26W)

R2 Extra wide 70° (Bridgelux-26W)

R3 Medium 28° (Bridgelux-38W)

R4 Wide 47° (Bridgelux-38W)

D. DIFFUSER LED

G1

G2

G3

G4

G5

G6

E. HEAD/GIMBAL FINISH

B1 Black

M1 Silver Metallic

W1 White

F. INTERNAL FINISH

B2 Black

W2 White

G. TRIM FINISH

B3 Black

M3 Silver Metallic

W3 White

NT No trim (trimless)

H. OPTIONS

CP Chicago Plenum

EM Integral Emergency

Options shown are available in North America only.



XACARA II NC™ - CEILING RECESSED

TECHNICAL DATA

LUMINAIRE

Code	510252	510254
Type	2 spotlight heads	4 spotlight heads

LED

Code	LA	LB	LC	LD	LE	LF
Power (LED)	26W	26W	26W	26W	26W	26W
CCT	3000K	3000K	3500K	3500K	4000K	4000K
CRI	80	90	80	90	80	90
Dimensions	A	A	A	A	A	A
Delivered lms	2085	1691	2127	1770	2168	1818
LPW	80	65	82	68	83	70
CBCP	4104	3328	4186	3483	4268	3581

Code	LG	LH	LI	LK	LL
Power (LED)	38W	38W	38W	38W	38W
CCT	3000K	3000K	3500K	4000K	4000K
CRI	80	90	80	80	90
Dimensions	B	B	B	B	B
Delivered lms	3155	2449	3008	3267	2784
LPW	83	64	79	86	73
CBCP	3654	2836	3484	3784	3224

DIFFUSER LED

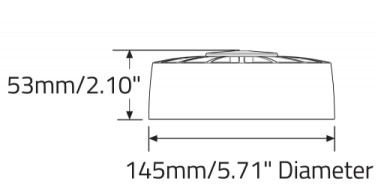
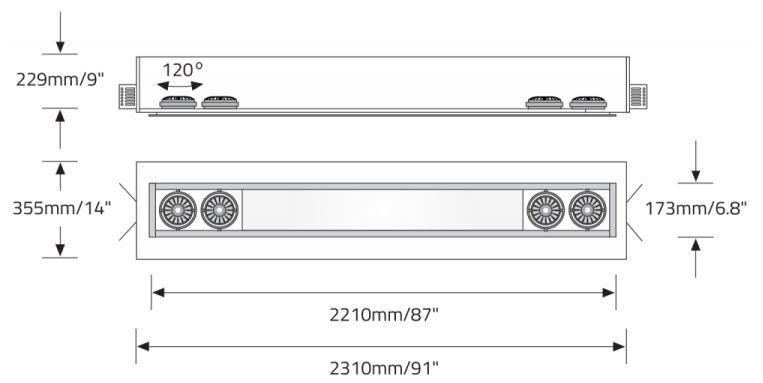
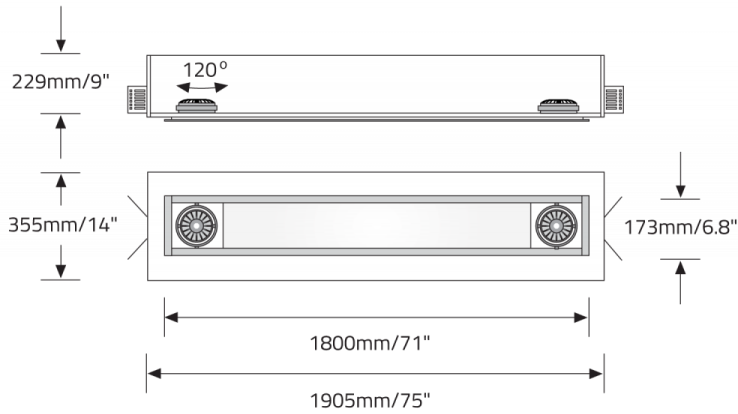
Code	G1	G2	G3	G4	G5	G6
Power (LED)	40W	40W	40W	80W	80W	80W
CCT	3000K	3500K	4000K	3000K	3500K	4000K
CRI	min 80	min 80	min 80	min 80	min 80	min 80
Delivered lms	4054	4094	4184	8080	8160	8341
LPW	101	102	104	101	102	104

APPROVALS

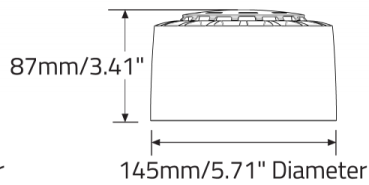


XACARA II NC™ - CEILING RECESSED

DIMENSIONAL DIAGRAMS



DIMENSION A



DIMENSION B