

XACARA NC™ - RECESSED



Project Name:

Fixture Type:

Fixture Code:

Quantities:

A. LUMINAIRE

512010 1 spotlight head

512020 2 spotlight heads

512030 3 spotlight heads

512041 4 spotlight heads - Linear

512044 4 spotlight heads - Quad

512050 5 spotlight heads

512060 6 spotlight heads

B. BRIDGELUX LED

LA 3000K, 80 CRI, 2085 lms

LB 3000K, 90 CRI, 1689 lms

LC 3500K, 80 CRI, 2127 lms

LD 3500K, 90 CRI, 1770 lms

LE 4000K, 80 CRI, 2169 lms

LF 4000K, 90 CRI, 1820 lms

LG 3000K, 80 CRI, 3045 lms

LH 3000K, 90 CRI, 2471 lms

LI 3500K, 80 CRI, 3133 lms

LJ 3500K, 90 CRI, 2674 lms

LK 4000K, 80 CRI, 3185 lms

LL 4000K, 90 CRI, 2686 lms

C. REFLECTORS

R1 Medium 36° (Bridgelux-26W)

R3 Medium 28° (Bridgelux-38W)

R4 Wide 47° (Bridgelux-38W)

D. HEAD/GIMBAL FINISH

W1 White

B1 Black Metallic Textured

M1 Silver Metallic Textured

E. INTERNAL FINISH

W2 White

B2 Black Metallic Textured

F. TRIM FINISH

NT No Trim (Trimless)

W3 White

B3 Black Metallic Textured

M3 Silver Metallic Textured

G. DIMMING

D1 0-10V Dimming 1%

D2 0-10V Dimming 0.1%

DL DALI Dimming 1%

DA DALI Dimming 0.1%

L1 Lutron L3DA3W Hi-Lume 1%

L3 Lutron L3DAE Hi-Lume 1%
EcoSystem

H. OPTIONS

CP Chicago Plenum ¹

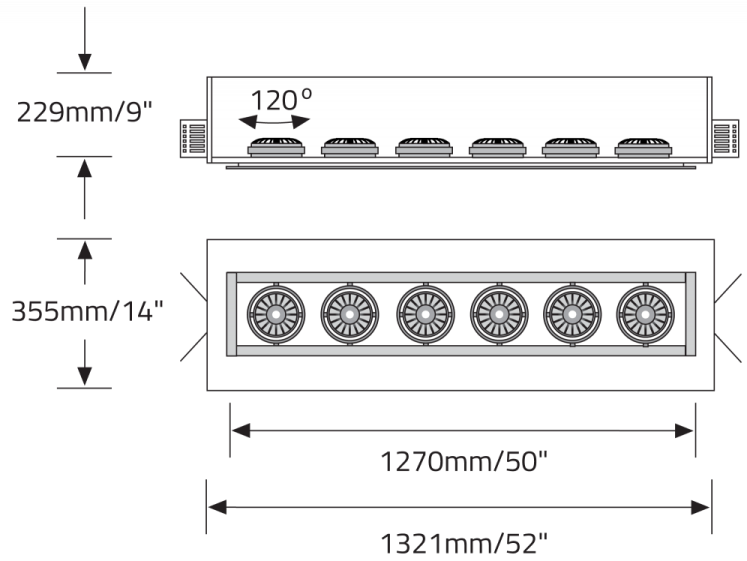
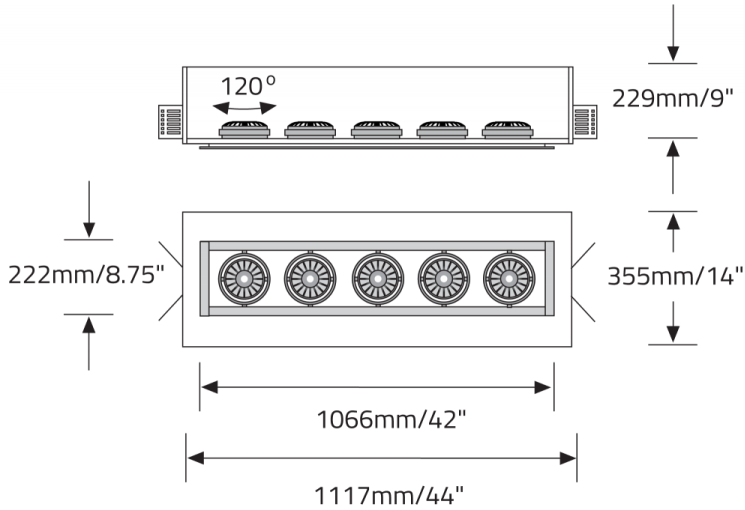
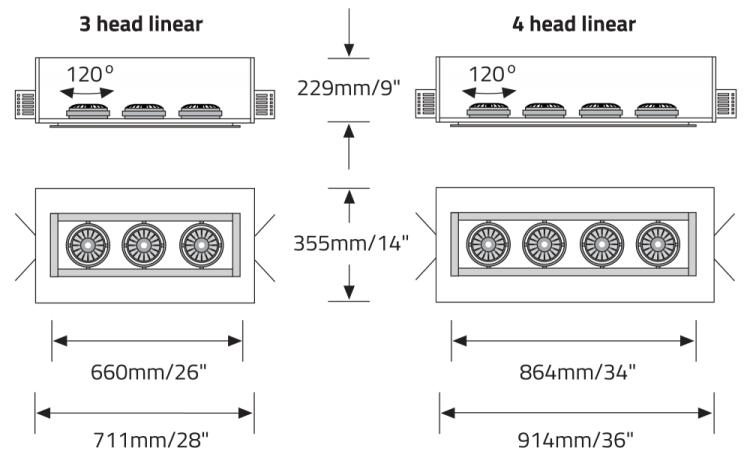
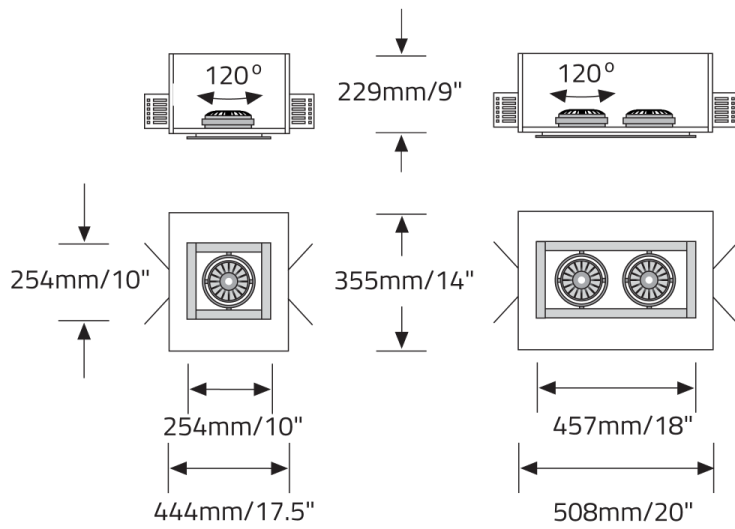
EM Integral Emergency

Options shown are available in North America only.



XACARA NC™ - RECESSED

DIMENSIONAL DIAGRAMS



XACARA NC™ - RECESSED

